



US00D587192S

(12) **United States Design Patent**  
**McGinley et al.**

(10) **Patent No.:** **US D587,192 S**

(45) **Date of Patent:** **\*\* Feb. 24, 2009**

(54) **ELECTRICAL CHARGER**

(75) Inventors: **James W. McGinley**, Barrington, IL  
(US); **Donald Rimdzius**, Addison, IL  
(US); **Joseph L. Kapushion**, Erie, CO  
(US)

(73) Assignee: **Horizon Technologies, Inc.**,  
Schaumburg, IL (US)

(\*\*) Term: **14 Years**

(21) Appl. No.: **29/293,500**

(22) Filed: **Nov. 28, 2007**

(51) **LOC (9) Cl.** ..... **13-02**

(52) **U.S. Cl.** ..... **D13/110**

(58) **Field of Classification Search** ..... D13/110,  
D13/107, 108, 118, 123, 137.1, 138.1, 199;  
307/105, 151; 320/111, 114; 363/15, 16,  
363/146; 439/105, 166, 171-173, 218, 518,  
439/692, 956

See application file for complete search history.

(56) **References Cited**

U.S. PATENT DOCUMENTS

D127,010 S *	5/1941	Judisch	.....	D13/137.1
D338,188 S *	8/1993	Lee et al.	.....	D13/110
D339,563 S *	9/1993	Usami	.....	D13/107
D350,113 S *	8/1994	Nagele	.....	D13/110
D381,624 S *	7/1997	Muller et al.	.....	D13/110
6,042,400 A *	3/2000	Queffelec et al.	.....	439/131

D425,480 S *	5/2000	Jokinen	.....	D13/107
6,086,395 A *	7/2000	Lloyd et al.	.....	439/172
D452,842 S *	1/2002	Kajiwara et al.	.....	D13/110
D456,008 S *	4/2002	Kawanobe et al.	.....	D13/110
D483,721 S *	12/2003	Kim et al.	.....	D13/110
D494,138 S *	8/2004	Adams et al.	.....	D13/138.1

\* cited by examiner

*Primary Examiner*—Prabhakar Deshmukh

*Assistant Examiner*—Derrick Holland

(74) *Attorney, Agent, or Firm*—Seyfarth Shaw LLP

(57) **CLAIM**

The ornamental design for an electrical charger, as shown and described.

**DESCRIPTION**

This application is related to application Ser. No. 29/293,501 for Electrical Charger filed Nov. 28, 2007.

FIG. 1 is a perspective view of the front end of an electrical charger showing our new design;

FIG. 2 is perspective view of the back end thereof;

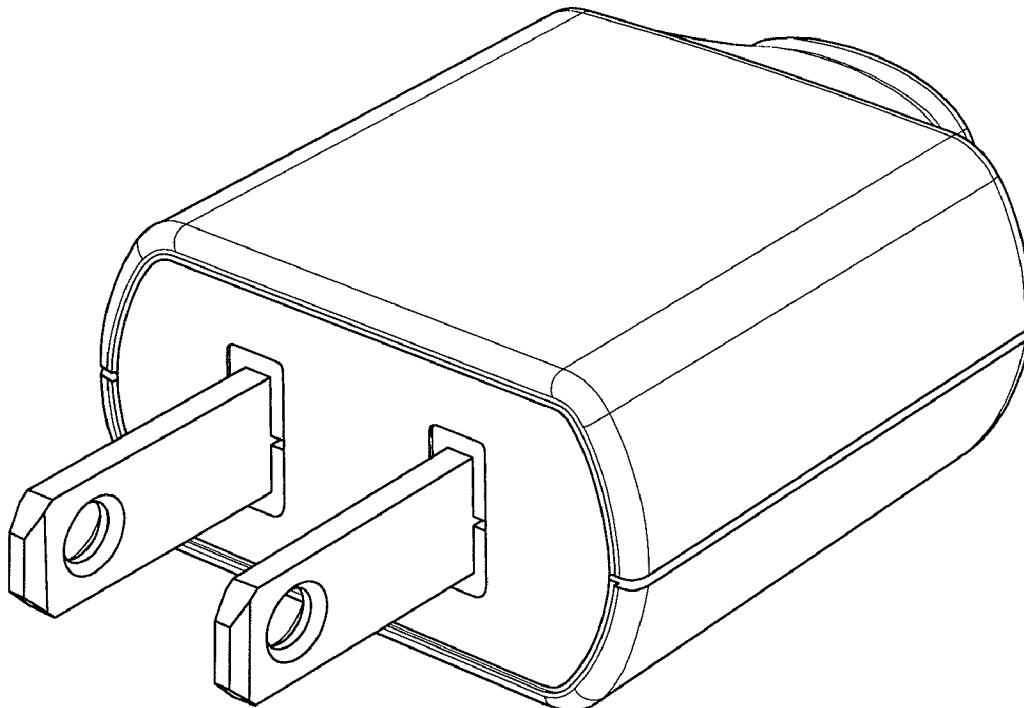
FIG. 3 is a right side view thereof, the left side being a mirror image;

FIG. 4 is a top plan view thereof, the bottom being a mirror image;

FIG. 5 is an end view of the back end thereof; and,

FIG. 6 is an end view of the front end thereof.

**1 Claim, 6 Drawing Sheets**



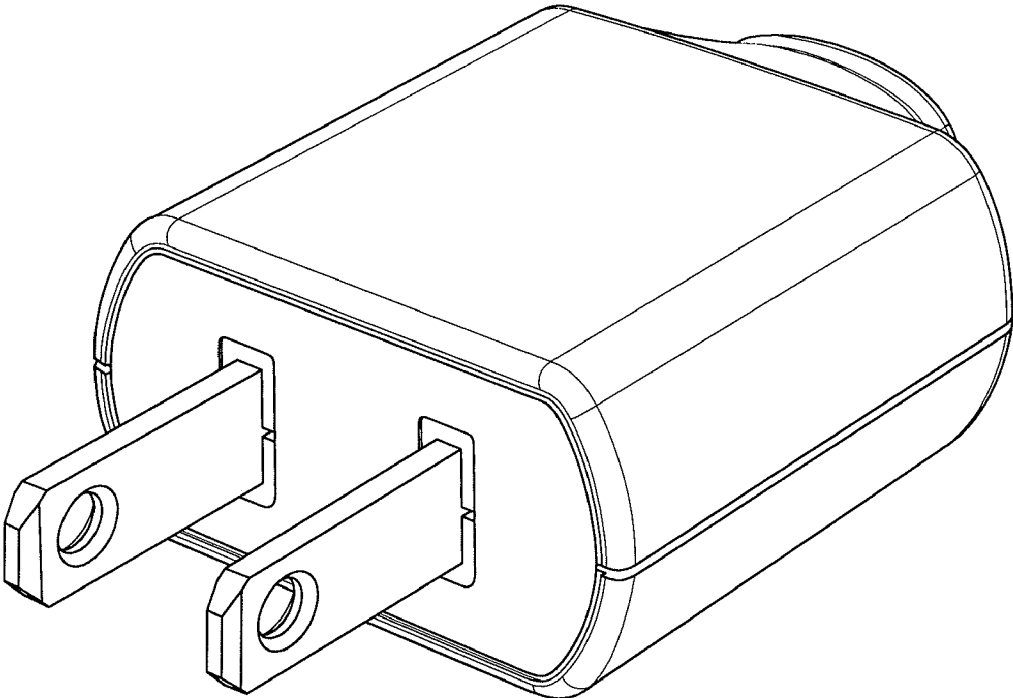


FIGURE 1

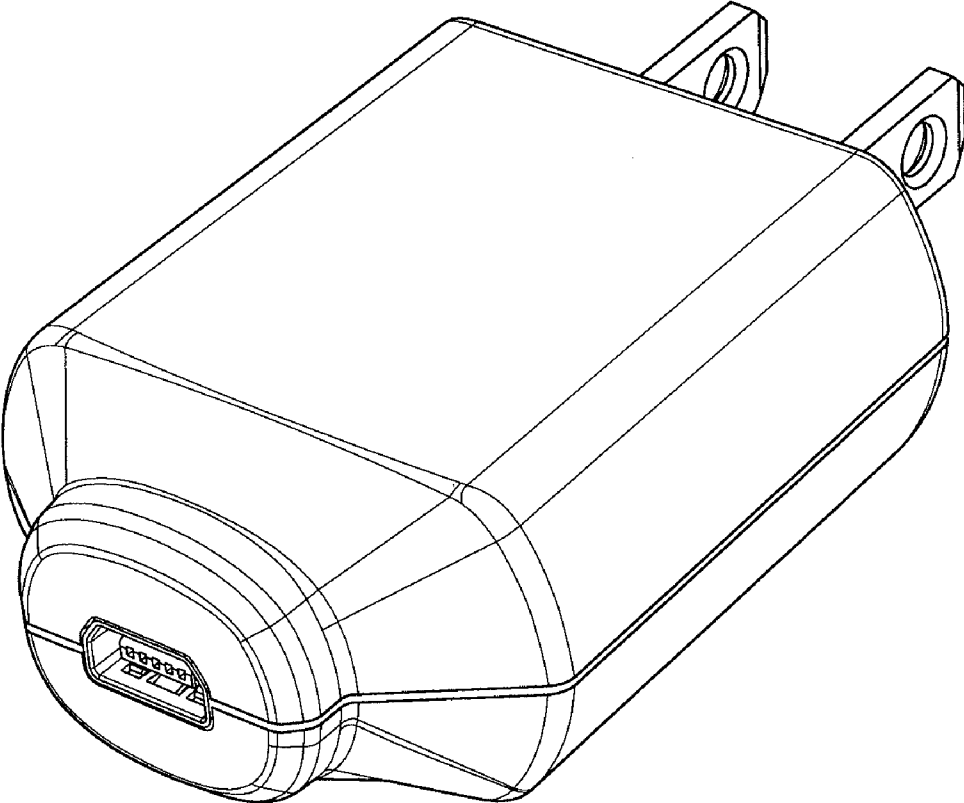


FIGURE 2

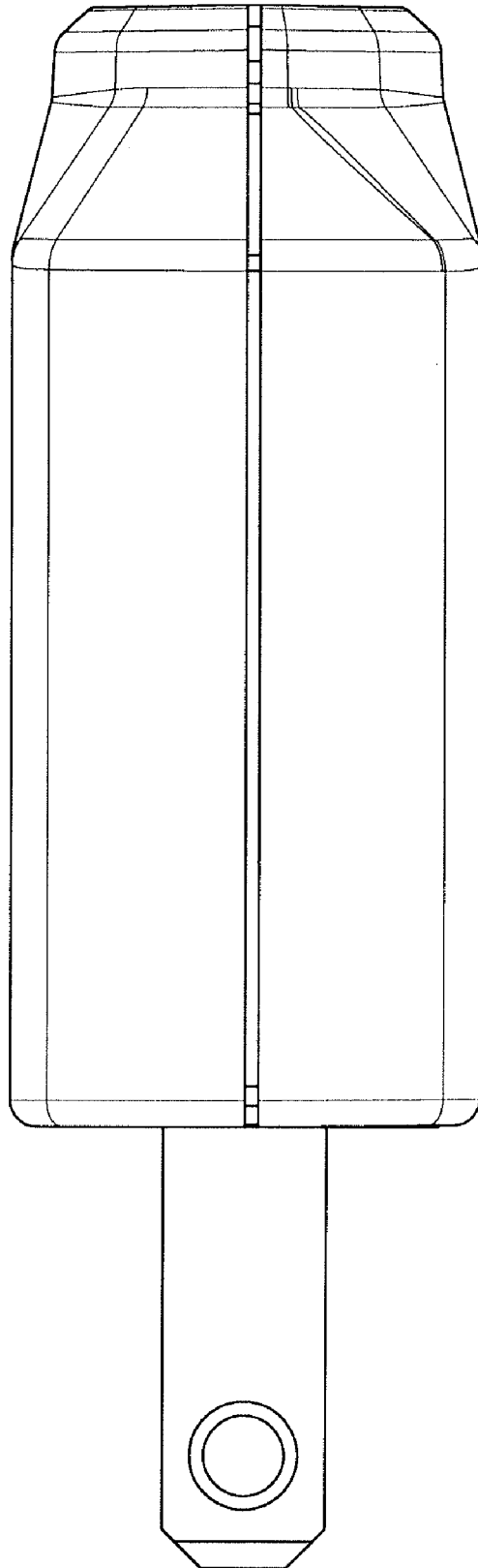


FIGURE 3

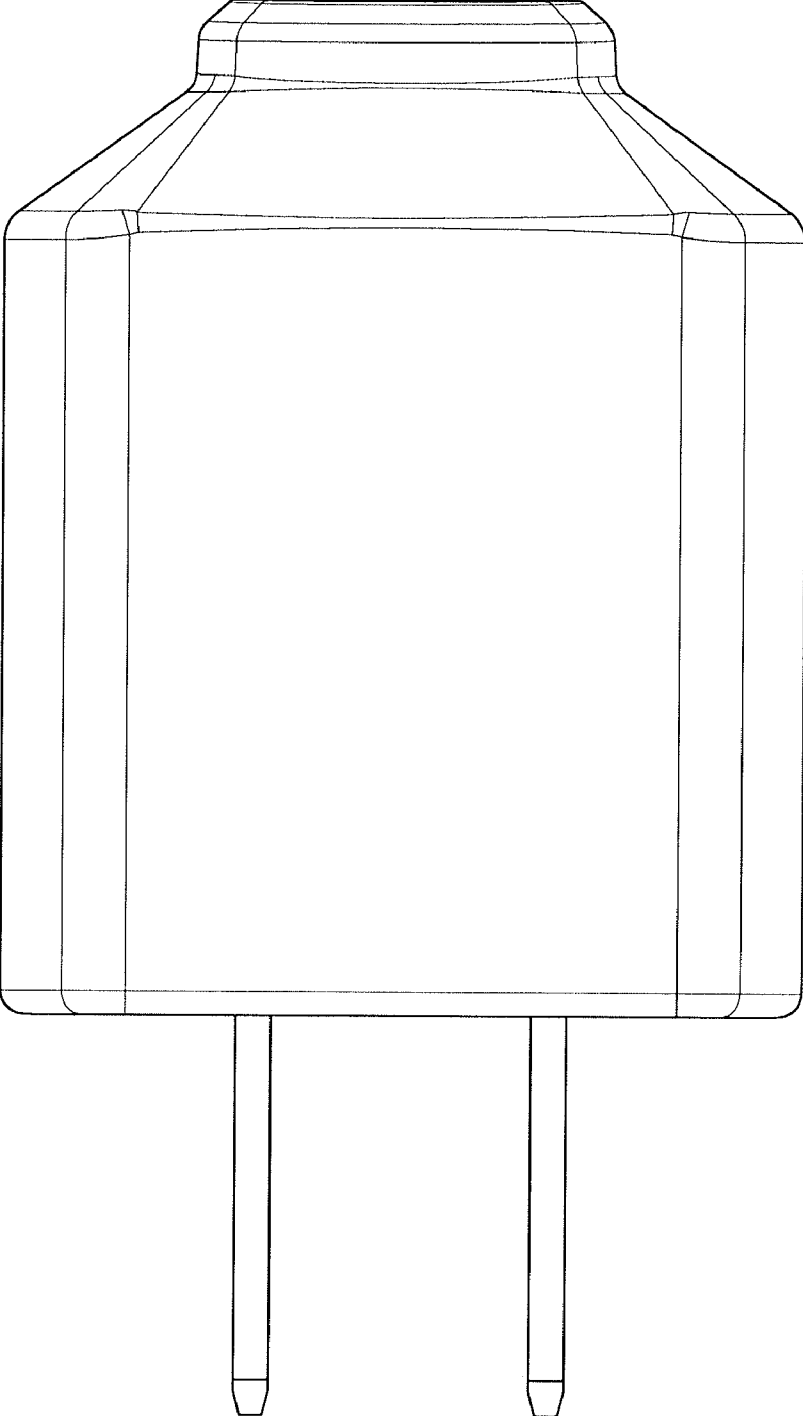


FIGURE 4

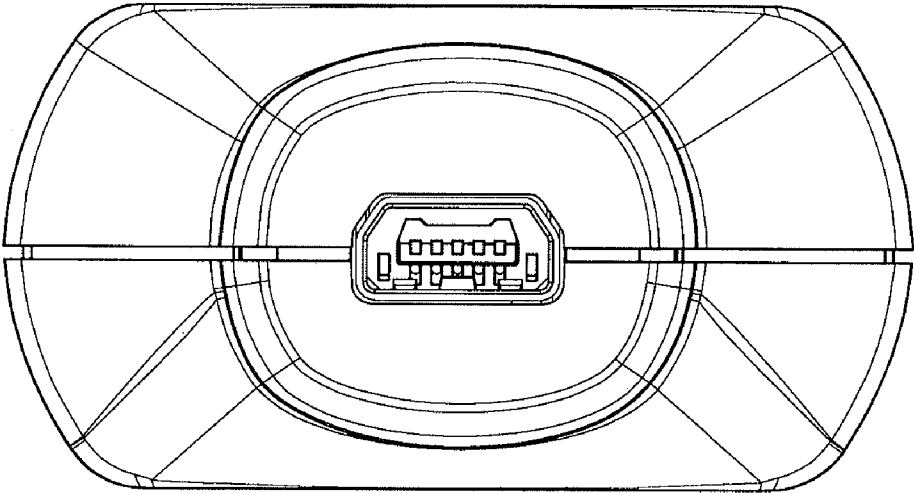


FIGURE 5

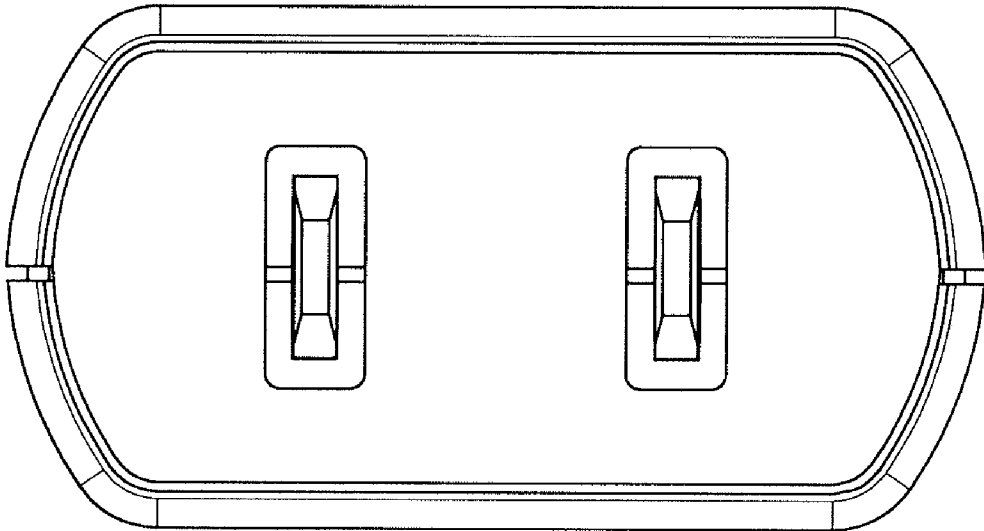


FIGURE 6