



US00D769702S

(12) **United States Design Patent**  
**Kuniyoshi**

(10) **Patent No.:** **US D769,702 S**

(45) **Date of Patent:** **\*\* Oct. 25, 2016**

(54) **HANGER FOR SMALL ARTICLES**

(71) Applicant: **SUGATSUNE KOGYO CO., LTD.**,  
Chiyoda-ku, Tokyo (JP)

(72) Inventor: **Risa Kuniyoshi**, Chiyoda-ku (JP)

(73) Assignee: **SUGATSUNE KOGYO CO., LTD.**,  
Chiyoda-ku (JP)

(\*\*) Term: **15 Years**

(21) Appl. No.: **29/538,335**

(22) Filed: **Sep. 2, 2015**

(30) **Foreign Application Priority Data**

Mar. 2, 2015 (JP) ..... 2015-004515

(51) **LOC (10) Cl.** ..... **08-05**

(52) **U.S. Cl.**  
USPC ..... **D8/367**

(58) **Field of Classification Search**  
USPC ..... D34/35; D8/367, 1; D6/358, 309  
CPC ..... F16B 45/02; F16B 47/00; B66C 1/125;  
B66C 1/36; A62B 35/0037  
See application file for complete search history.

(56) **References Cited**

**U.S. PATENT DOCUMENTS**

D480,292 S	*	10/2003	Johansson	.....	D8/367
D554,481 S	*	11/2007	Newbould	.....	D8/367
D566,532 S	*	4/2008	Wolff	.....	D8/367
D603,688 S	*	11/2009	Chiu	.....	D8/367
D665,653 S	*	8/2012	Thompson	.....	D8/367

D678,041 S	*	3/2013	Pan	.....	D8/367
D680,804 S	*	4/2013	Gilboe	.....	D7/367
D697,388 S	*	1/2014	Pan	.....	D8/367
D714,623 S	*	10/2014	Pan	.....	D8/367
D720,984 S	*	1/2015	Privitera	.....	D8/367
D720,986 S	*	1/2015	Citterio	.....	D3/260

\* cited by examiner

*Primary Examiner* — Cynthia Underwood

(74) *Attorney, Agent, or Firm* — Masuvalley & Partners

(57) **CLAIM**

The ornamental design for a hanger for small articles, as shown and described.

**DESCRIPTION**

FIG. 1 is a perspective view of a hanger for small articles according to the invention;

FIG. 2 is a front elevation view of the hanger for small articles of FIG. 1;

FIG. 3 is a top plan view of the hanger for small articles of FIG. 1;

FIG. 4 is a bottom plan view of the hanger for small articles of FIG. 1;

FIG. 5 is a right side elevation view of the hanger for small articles of FIG. 1;

FIG. 6 is a left side elevation view of the hanger for small articles of FIG. 1; and,

FIG. 7 is a cross-sectional view of the hanger for small articles through line 7-7 shown in FIG. 6.

The broken line showing of the hanger for small articles is for the purpose of illustrating portions of the hanger for small articles and forms no part of the claimed design.

**1 Claim, 7 Drawing Sheets**

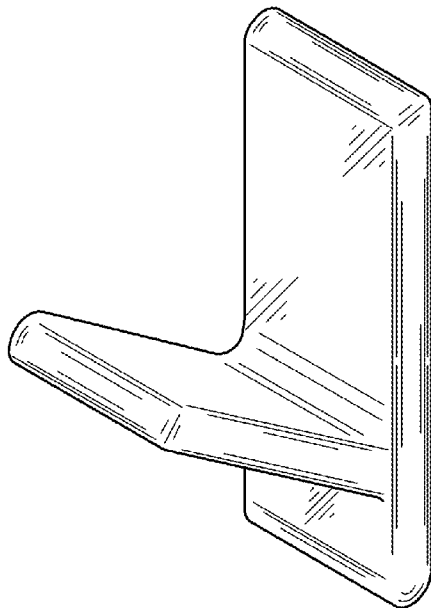


FIG. 1

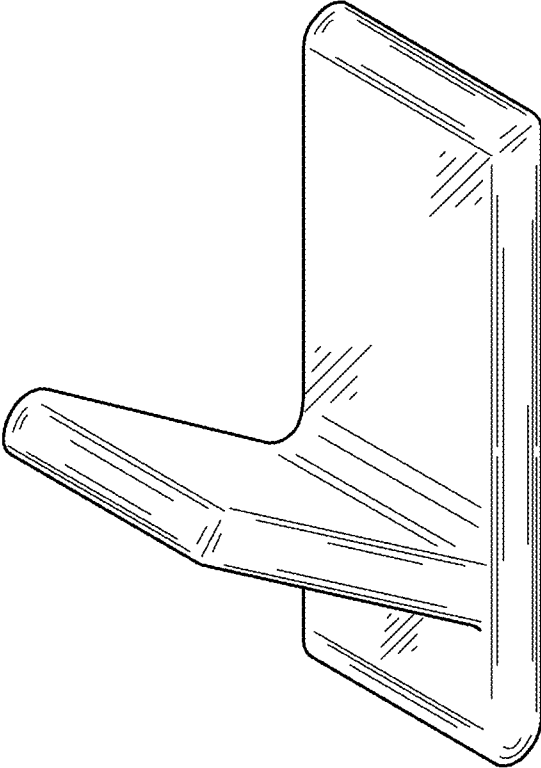


FIG. 2

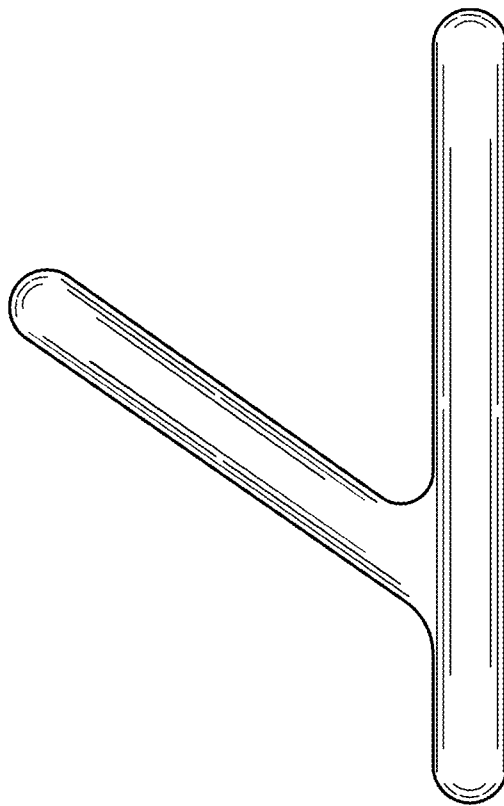


FIG. 3

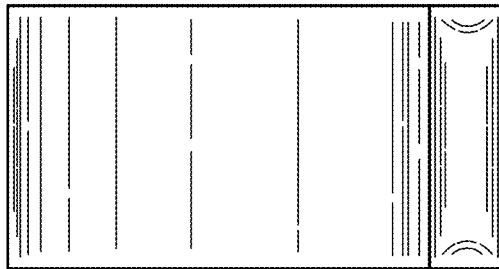


FIG. 4

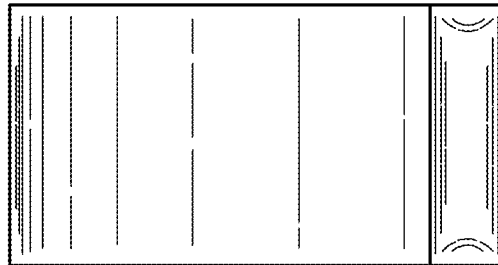


FIG. 5

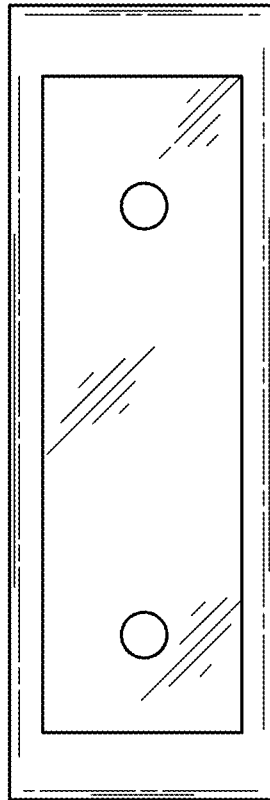


FIG. 6

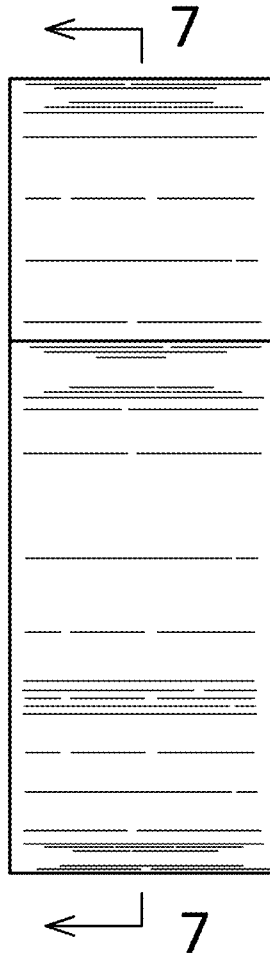


FIG. 7

