



US00D678260S

(12) **United States Design Patent**  
**Bau**

(10) **Patent No.:** **US D678,260 S**

(45) **Date of Patent:** **\*\* \*Mar. 19, 2013**

(54) **COMBINATION OF PROTECTIVE CASING AND STAND FOR PORTABLE HANDHELD ELECTRONIC DEVICE**

*Primary Examiner* — Raphael Barkai  
*Assistant Examiner* — Randall H Gholson  
(74) *Attorney, Agent, or Firm* — Liu & Liu

(75) **Inventor:** **Chi Yun Steven Bau**, Kowloon (HK)

(73) **Assignee:** **Switcheasy Limited**, Kowloon (HK)

(\*) **Notice:** This patent is subject to a terminal disclaimer.

(\*\*) **Term:** **14 Years**

(21) **Appl. No.:** **29/404,857**

(22) **Filed:** **Oct. 26, 2011**

(30) **Foreign Application Priority Data**

Apr. 28, 2011 (HK) ..... 1100728

(51) **LOC (9) Cl.** ..... **14-03**

(52) **U.S. Cl.** ..... **D14/250; D14/132**

(58) **Field of Classification Search** ..... D14/239,  
D14/125-134, 451-454, 224, 316, 375-377,  
D14/432, 439, 447, 448, 455, 457, 469; D8/363,  
D8/373, 349, 394; 248/278.1, 279.1, 514,  
248/291.1, 125.1, 121, 124.1, 125.7, 276.1,  
248/415, 284.1, 286.1, 281.11, 292.11, 181.2,  
248/917-921, 126-128, 133, 178.1, 183.1,  
248/183.2, 346.01, 346.03, 349.1, 371, 473,  
248/474, 512; 348/825, 827, 836, 837; 600/443  
See application file for complete search history.

(56) **References Cited**

**U.S. PATENT DOCUMENTS**

D497,508	S	*	10/2004	Dardashti	.....	D6/632
D555,163	S	*	11/2007	Beilstein et al.	.....	D14/451
D557,259	S	*	12/2007	Hirsch	.....	D14/217
D563,960	S	*	3/2008	Beilstein et al.	.....	D14/447
D565,842	S	*	4/2008	Falcone	.....	D3/294
7,350,642	B2	*	4/2008	Bjerregaard et al.	.....	206/308.1
D593,561	S	*	6/2009	Sheba	.....	D14/435
2005/0155879	A1	*	7/2005	Hoogland	.....	206/308.1
2005/0167302	A1	*	8/2005	Bjerregaard et al.	.....	206/308.1

\* cited by examiner

(57) **CLAIM**

The ornamental design for a combination of protective casing and stand for portable handheld electronic device, as shown and described.

**DESCRIPTION**

FIG. 1 is a perspective view of the combination of protective casing and stand for portable handheld electronic device in an opened state;

FIG. 2 is a top plan view thereof;

FIG. 3 is a left view thereof;

FIG. 4 is a bottom plan view thereof;

FIG. 5 is a right view thereof;

FIG. 6 is a rear view thereof;

FIG. 7 is a front view thereof;

FIG. 8 is a perspective view of the combination of protective casing and stand for portable handheld electronic device in a closed state;

FIG. 9 is a top plan view thereof;

FIG. 10 is a left view thereof;

FIG. 11 is a bottom plan view thereof;

FIG. 12 is right view thereof;

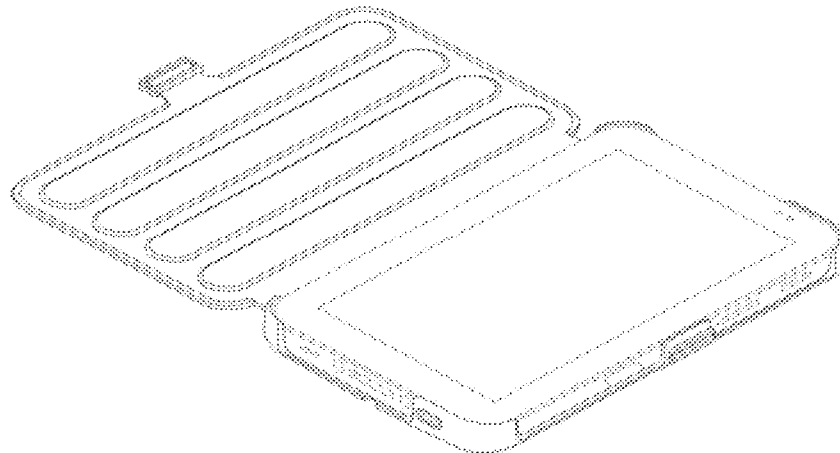
FIG. 13 is rear view thereof;

FIG. 14 is front view thereof;

FIG. 15 is a reference drawing illustrating insertion of an electronic device into the combination of protective casing and stand for portable handheld electronic device; and, FIG. 16 is a reference drawing illustrating an operational state in which the combination of protective casing and stand for portable handheld electronic device is used as a stand.

The electronic device shown in broken lines forms no part of the claimed design.

**1 Claim, 10 Drawing Sheets**



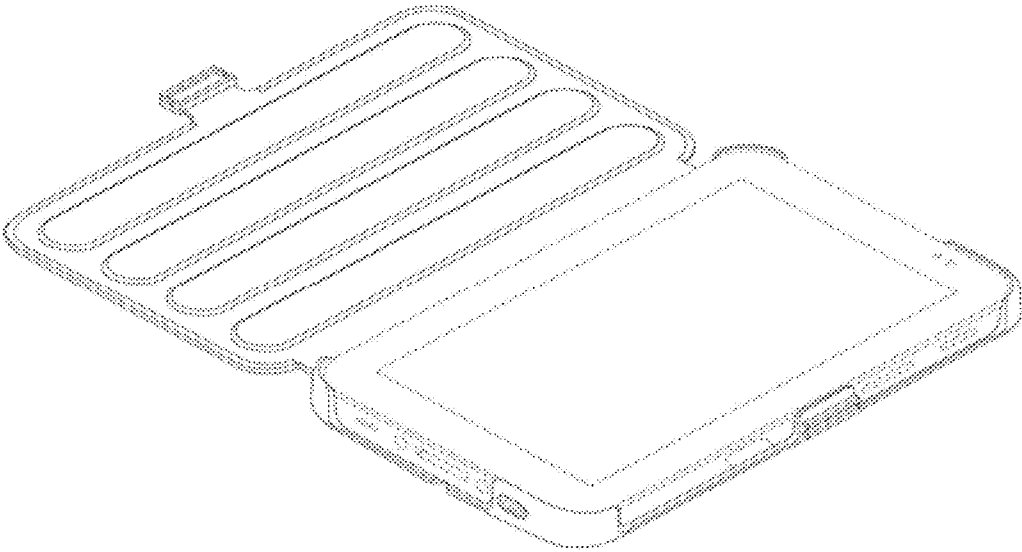


FIG. 1

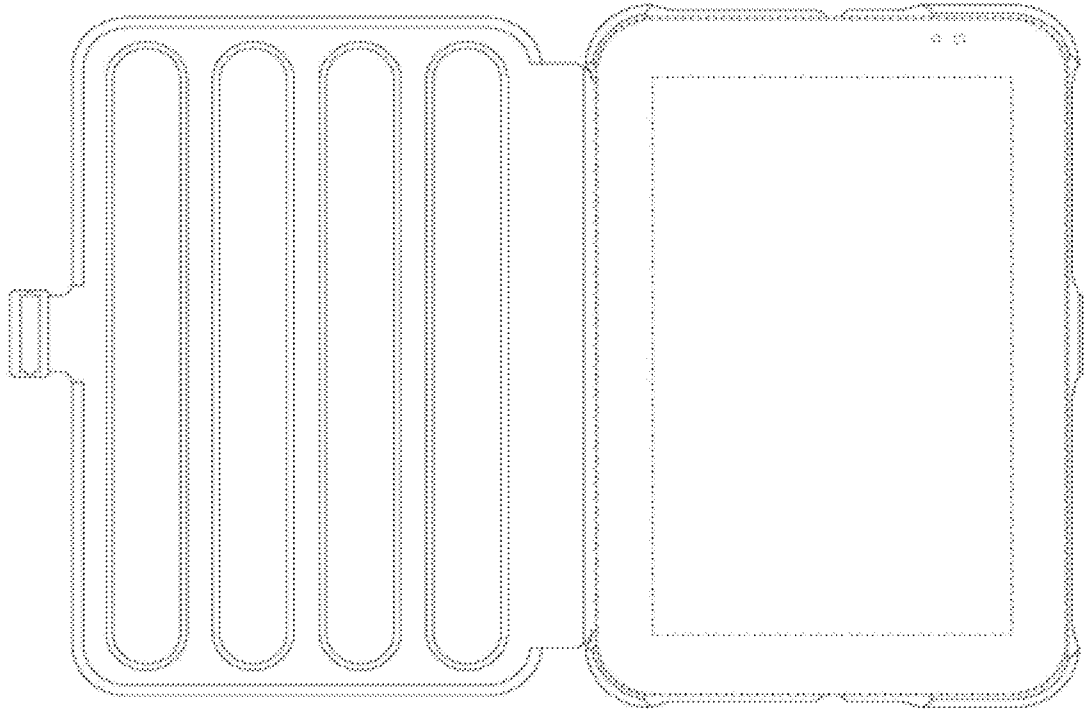


FIG. 2

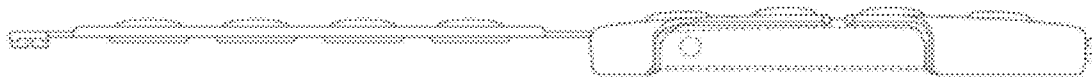


FIG. 3

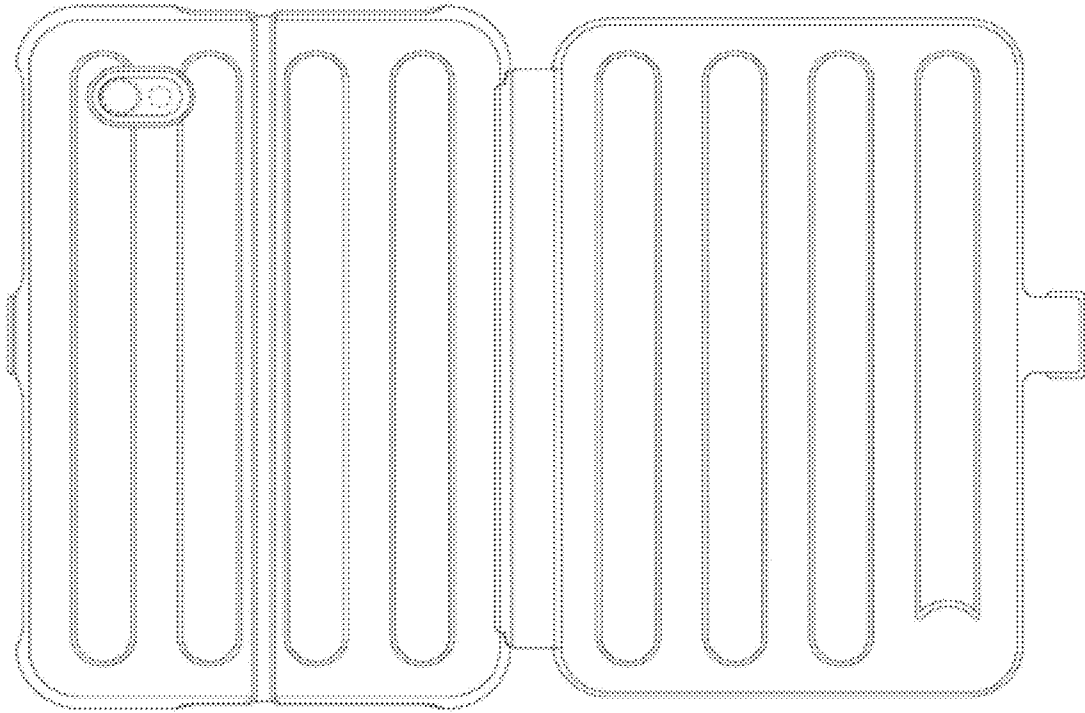


FIG. 4

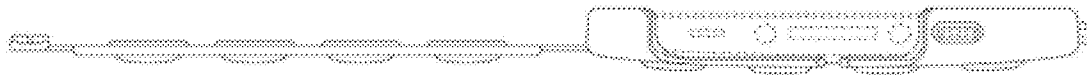


FIG. 5



FIG. 6



FIG. 7

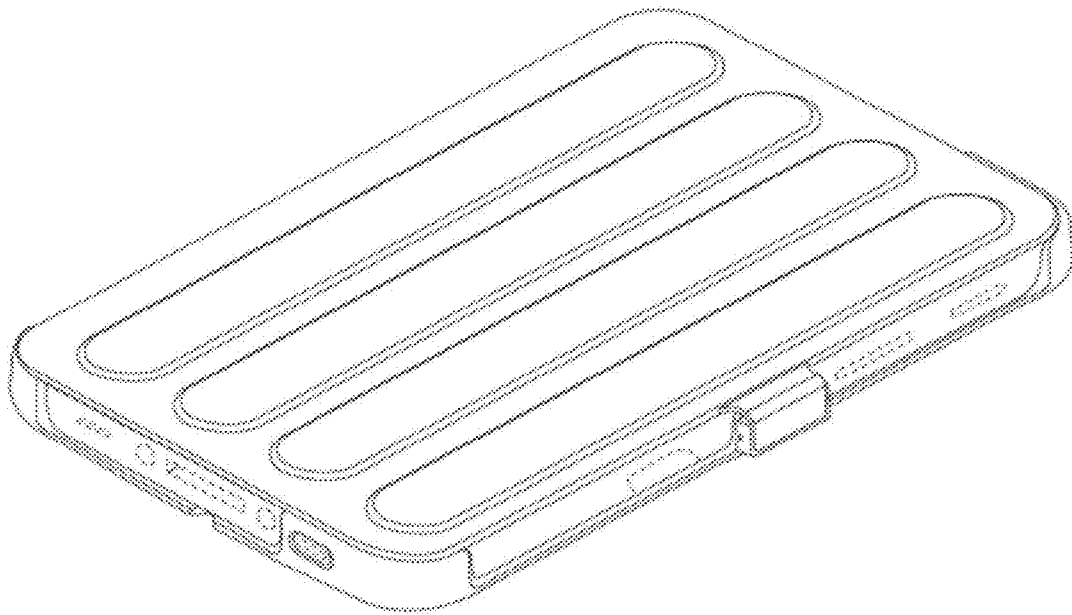


FIG. 8

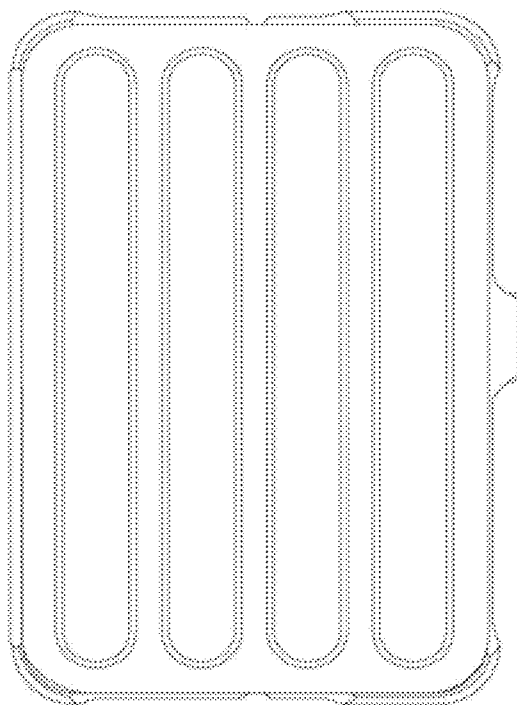


FIG. 9

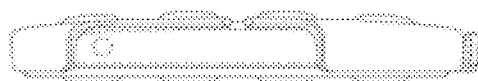


FIG. 10

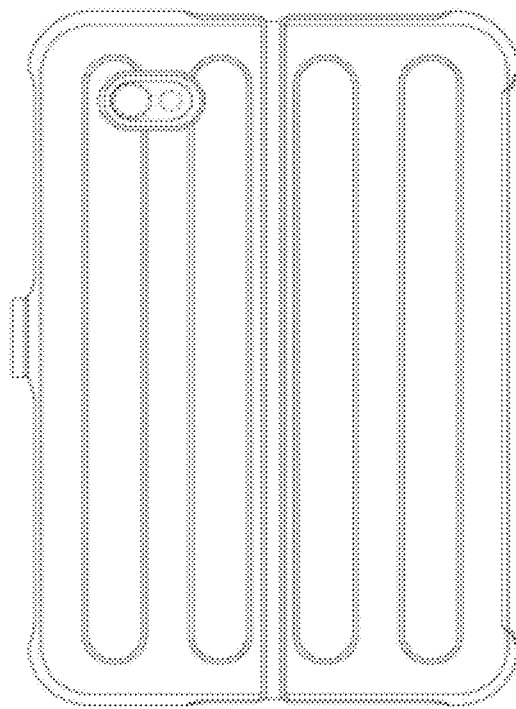


FIG. 11

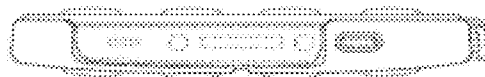


FIG. 12



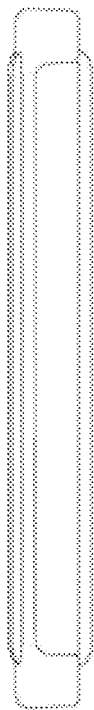


FIG. 13



FIG. 14

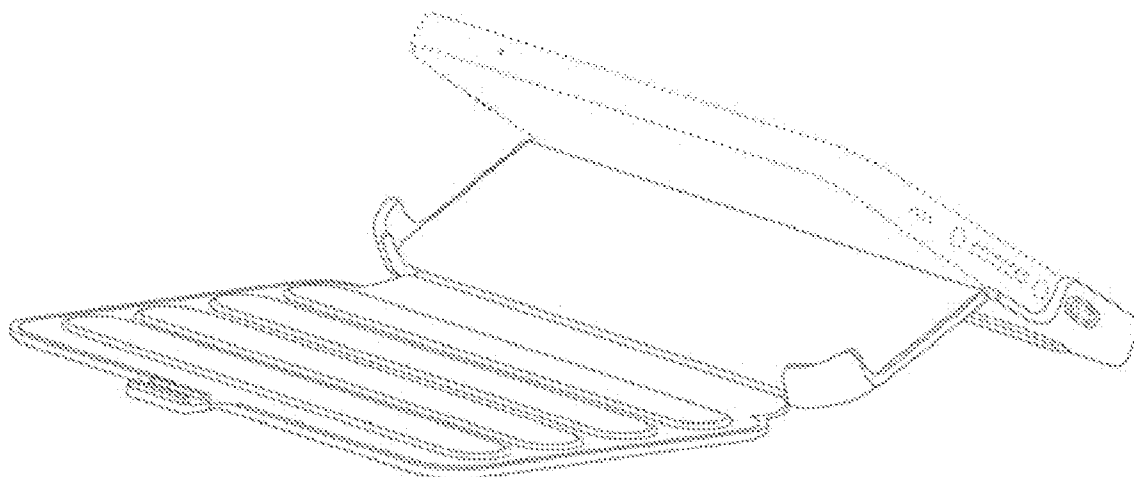


FIG. 15

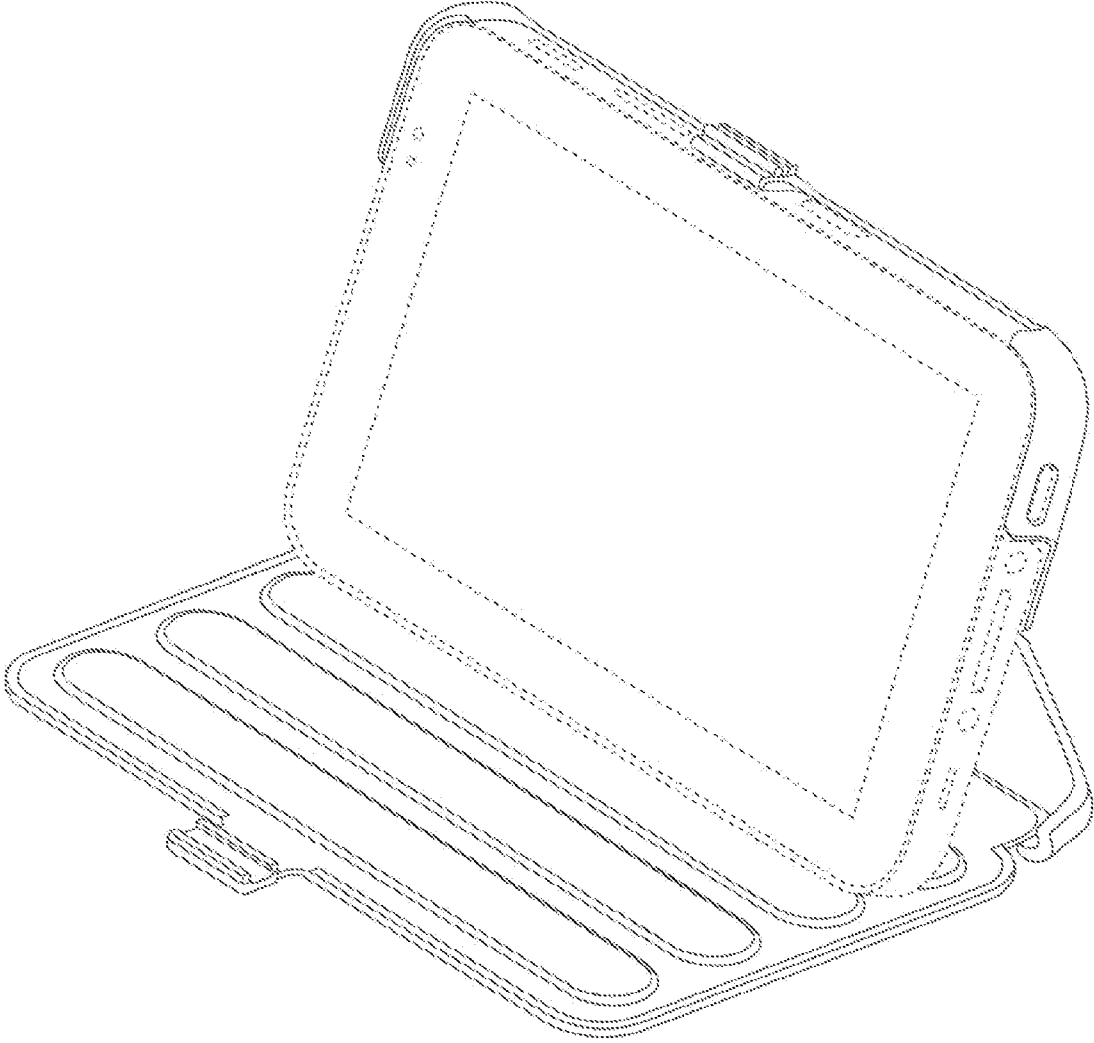


FIG. 16