



US00D770613S

(12) **United States Design Patent** (10) **Patent No.:** **US D770,613 S**  
**Roberts** (45) **Date of Patent:** **\*\* Nov. 1, 2016**

(54) **FEMALE URINATION DEVICE**  
(71) Applicant: **Ursula Roberts**, Horton, AL (US)  
(72) Inventor: **Ursula Roberts**, Horton, AL (US)  
(\*\*) Term: **15 Years**  
(21) Appl. No.: **29/545,884**  
(22) Filed: **Nov. 17, 2015**  
(51) **LOC (10) Cl.** ..... **24-04**  
(52) **U.S. Cl.**  
USPC ..... **D24/122**  
(58) **Field of Classification Search**  
USPC ..... D24/121-123, 117, 224; D23/276, 295,  
D23/302, 274, 309, 200; 4/450-460,  
4/144.1-144.4, DIG. 5; 600/573, 574;  
604/329, 317, 318, 334  
CPC ..... A61G 9/00; A61G 9/006  
See application file for complete search history.

6,547,771 B2 4/2003 Robertson  
6,719,741 B2 4/2004 Chng  
D499,180 S \* 11/2004 Best ..... D24/122  
D571,460 S \* 6/2008 Korjack ..... D24/123  
D577,435 S \* 9/2008 Ivie ..... D24/122  
D650,902 S 12/2011 Lopez, Jr.  
D680,644 S \* 4/2013 Newman ..... D24/122  
D747,469 S \* 1/2016 Jones ..... D24/122  
2008/0034481 A1 2/2008 Cheng  
2009/0056003 A1 3/2009 Ivie  
2011/0030130 A1 2/2011 Stein  
2011/0172620 A1 7/2011 Khambatta  
2012/0210502 A1 8/2012 Baham  
2013/0239311 A1 9/2013 Valenti

**FOREIGN PATENT DOCUMENTS**

WO WO2013103291 10/2013

\* cited by examiner

*Primary Examiner* — David Muller

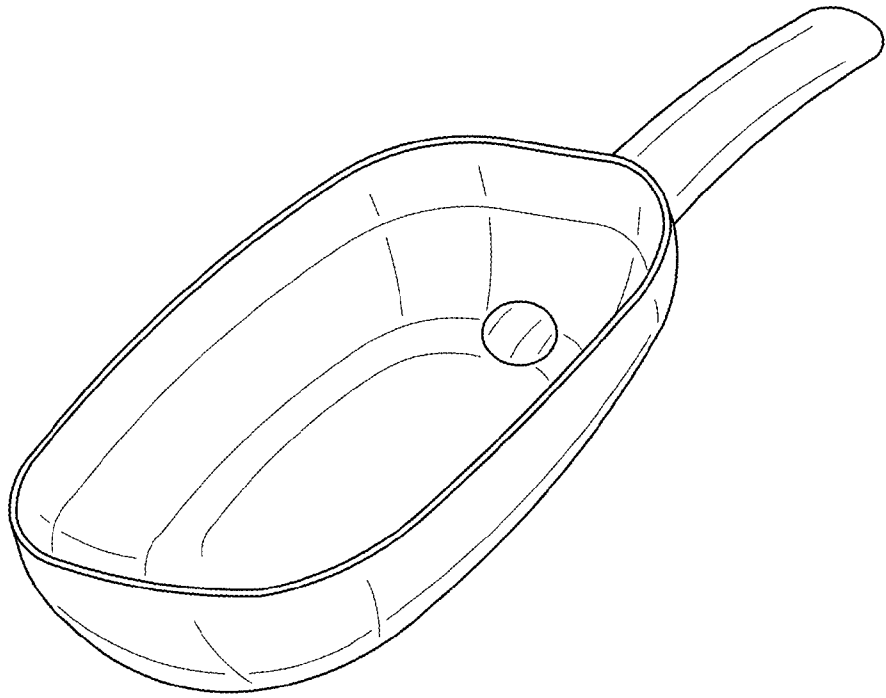
(57) **CLAIM**  
I claim the ornamental design for a female urination device,  
as shown and described.

(56) **References Cited**  
**U.S. PATENT DOCUMENTS**  
3,625,654 A \* 12/1971 Van Duyne ..... A61B 10/007  
206/813  
D343,447 S \* 1/1994 Thaler ..... D23/295  
D356,865 S \* 3/1995 Ivie ..... D24/121  
D363,987 S \* 11/1995 Hollifield ..... D24/122  
D371,601 S \* 7/1996 Markles ..... D24/122  
5,894,608 A \* 4/1999 Birbara ..... A47K 11/12  
4/144.3  
D450,118 S \* 11/2001 Hyde ..... D24/112  
D457,237 S \* 5/2002 Azo ..... D24/122

**DESCRIPTION**

FIG. 1 is a top plan view of the female urination device;  
FIG. 2 is a bottom plan view thereof;  
FIG. 3 is a side elevation view thereof;  
FIG. 4 is a left side elevation view thereof;  
FIG. 5 is a right side elevation view thereof; and,  
FIG. 6 is a perspective view thereof.

**1 Claim, 3 Drawing Sheets**



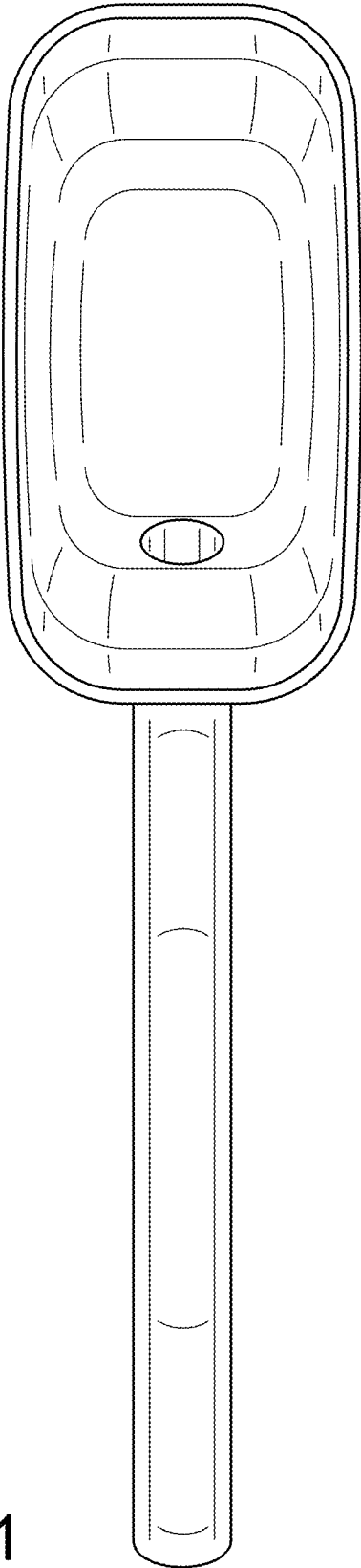


FIG. 1

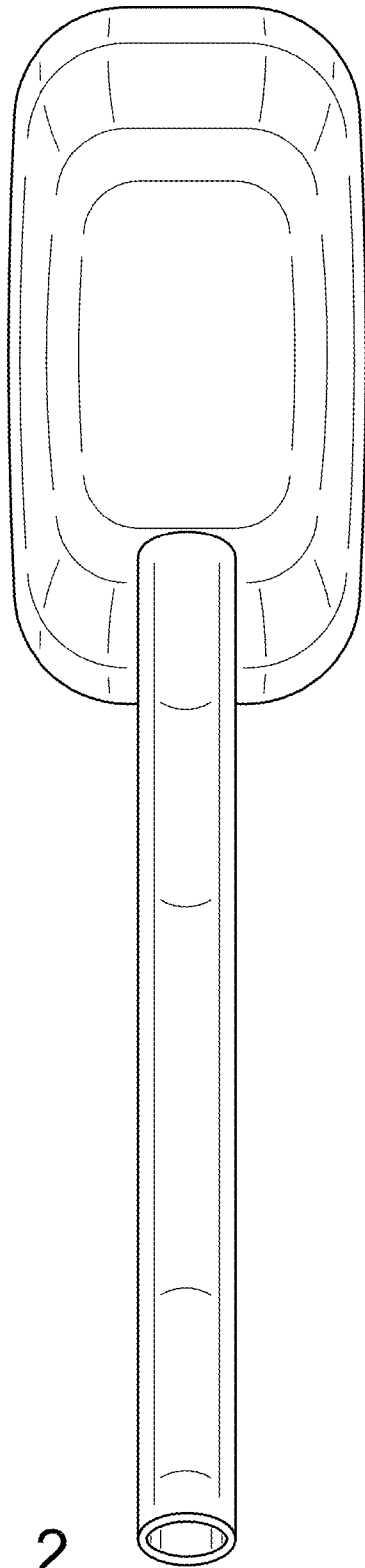


FIG. 2

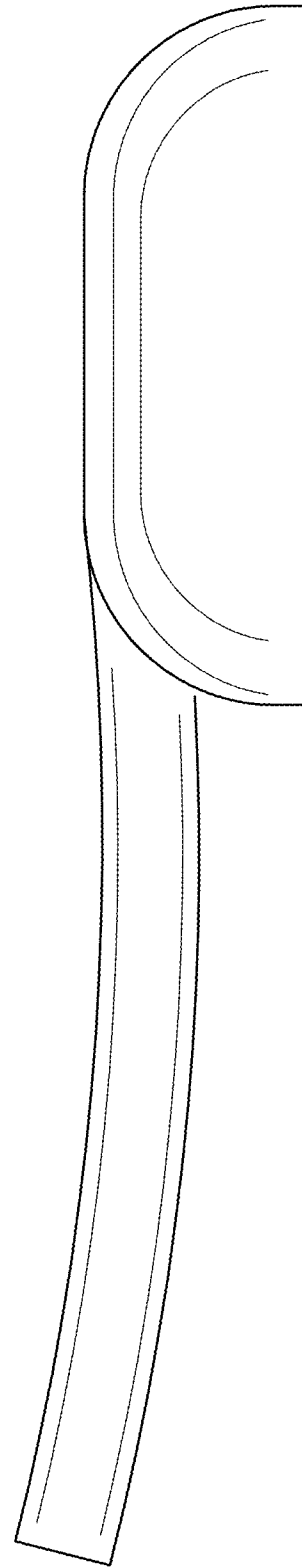


FIG. 3

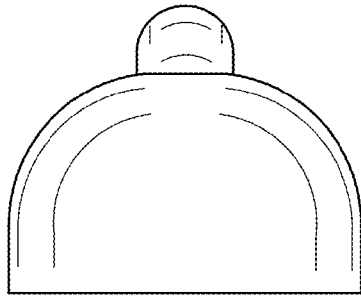


FIG. 4

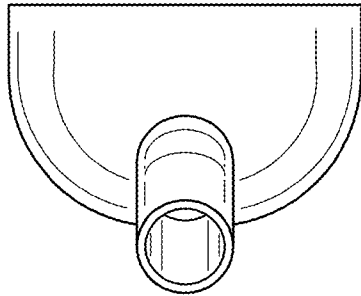


FIG. 5

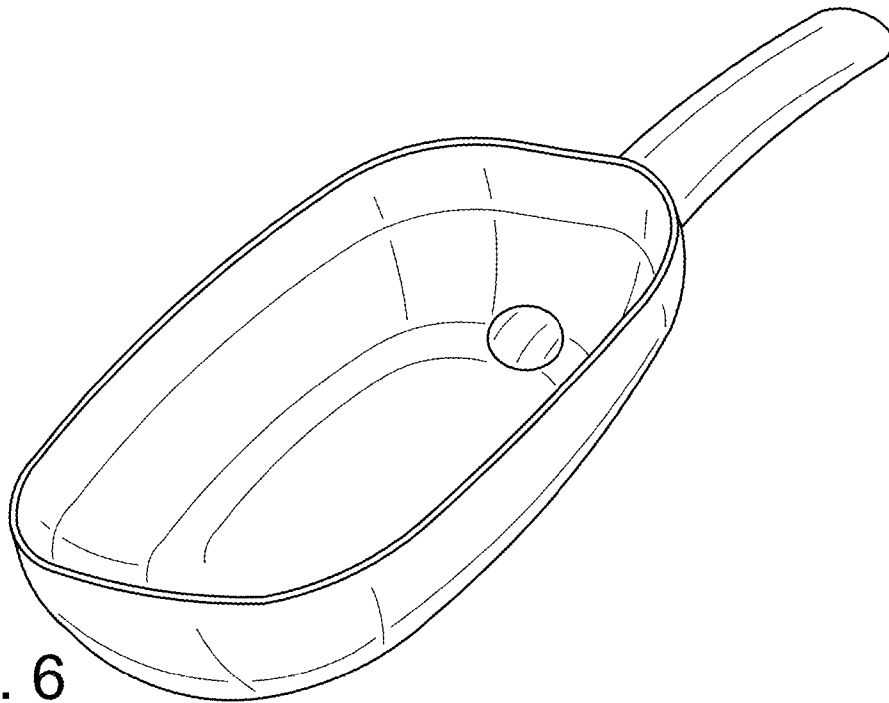


FIG. 6