



(12) **United States Design Patent**
Mayer

(10) **Patent No.:** **US D985,300 S**
(45) **Date of Patent:** **** *May 9, 2023**

(54) **LOUNGE BED**

(71) Applicant: **Virgin Hotels, LLC LIMITED LIABILITY COMPANY NEW YORK, New York, NY (US)**

(72) Inventor: **Theodore Mayer, Miami, FL (US)**

(*) Notice: This patent is subject to a terminal disclaimer.

(**) Term: **15 Years**

(21) Appl. No.: **29/741,616**

(22) Filed: **Jul. 14, 2020**

(51) **LOC (14) Cl.** **06-02**

(52) **U.S. Cl.**
USPC **D6/393**

(58) **Field of Classification Search**
USPC D6/393, 384, 389, 382, 383, 394, 395, D6/718, 718.2, 718.23, 718.13, 718.29
CPC A47C 19/002; A47C 19/00
See application file for complete search history.

(56) **References Cited**

U.S. PATENT DOCUMENTS

1,639,847	A	*	8/1927	Greenman	A47C 19/022	5/131
D263,659	S	*	4/1982	Cohen		5/915
D277,054	S	*	1/1985	Hull	D6/393	
D297,289	S	*	8/1988	Strom	D6/389	
D443,773	S	*	6/2001	O'Hare	D6/393	
D454,720	S	*	3/2002	O'Hare	D6/393	
D480,889	S	*	10/2003	Risdon	D6/393	
D486,666	S	*	2/2004	O'Hare	D6/393	
D493,975	S	*	8/2004	Juneau	D6/393	
D545,078	S	*	6/2007	Jourdan	D6/393	
D660,045	S	*	5/2012	Lenney	D6/393	

D707,054	S	*	6/2014	Beucler	D6/377
D727,053	S		4/2015	Yoon et al.	
D802,324	S	*	11/2017	Bucove	D6/393
D870,487	S	*	12/2019	Sumlin	D6/393
2021/0052080	A1	*	2/2021	Huang	A47C 19/022

OTHER PUBLICATIONS

Richard Branson Wants You To Sleep in His Bed, available in amlu.com, published Dec. 17, 2015 Year 2015 [online], Retrieved on Jan. 7, 2022 from URL: <https://www.amlu.com/2015/12/17/richard-branson-wants-you-to-sleep-in-his-bed/> (Year: 2015).*

* cited by examiner

Primary Examiner — Vy N Koenig

Assistant Examiner — Michelle M Reeves

(74) *Attorney, Agent, or Firm* — Norvell IP, LLC

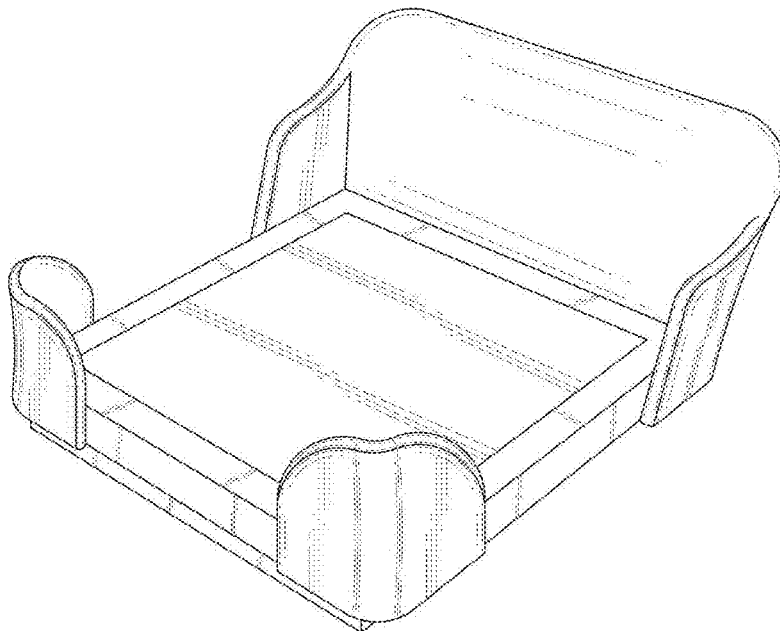
(57) **CLAIM**

The ornamental design for a lounge bed, as shown and described.

DESCRIPTION

FIG. 1 is a perspective view showing the lounge bed of the present invention.
FIG. 2 is a top view of the invention shown in FIG. 1.
FIG. 3 is a front view of the invention shown in FIG. 1.
FIG. 4 is a back view of the invention shown in FIG. 1.
FIG. 5 is a first side view of the invention shown in FIG. 1; and,
FIG. 6 is a second side view of the invention shown in FIG. 1.

1 Claim, 6 Drawing Sheets



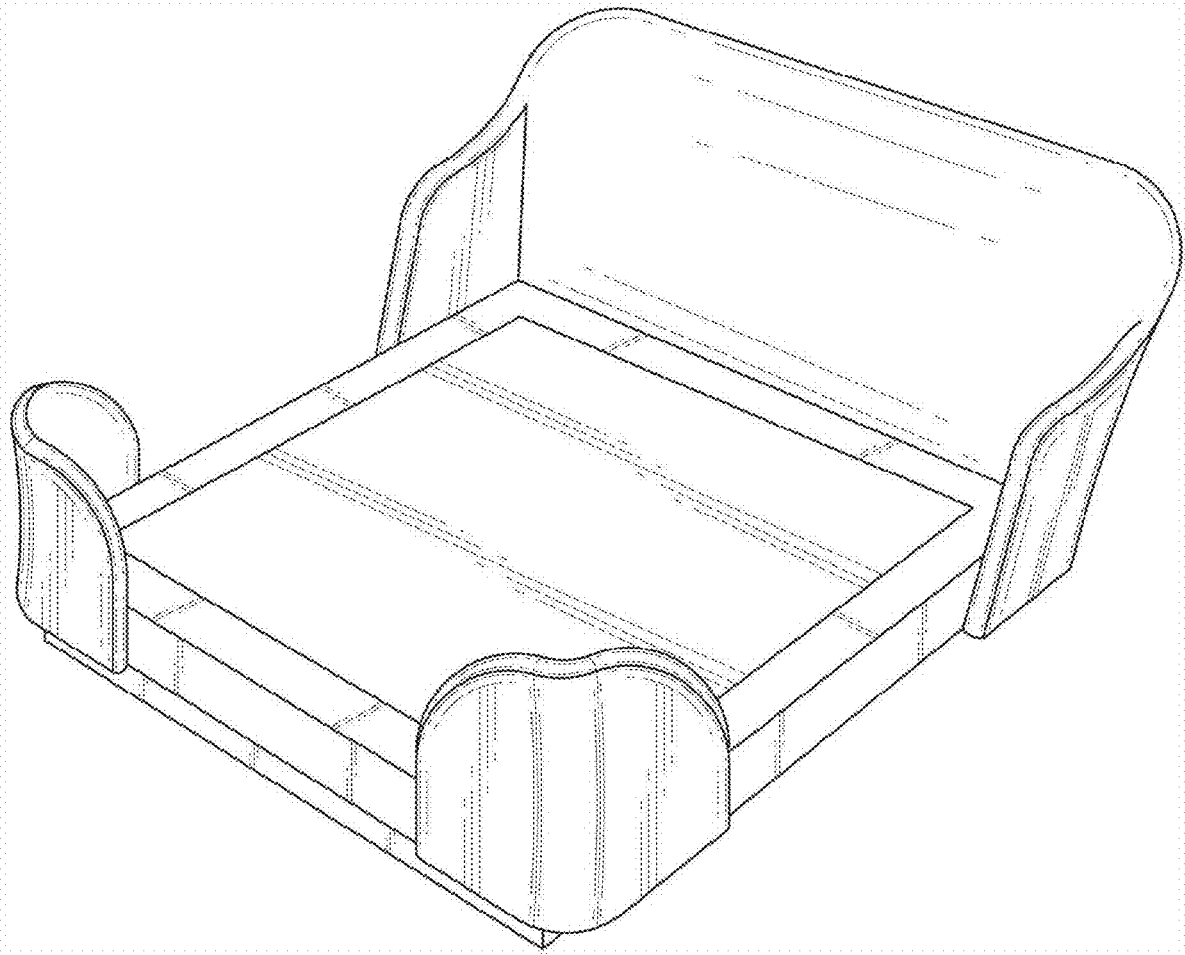


FIG. 1

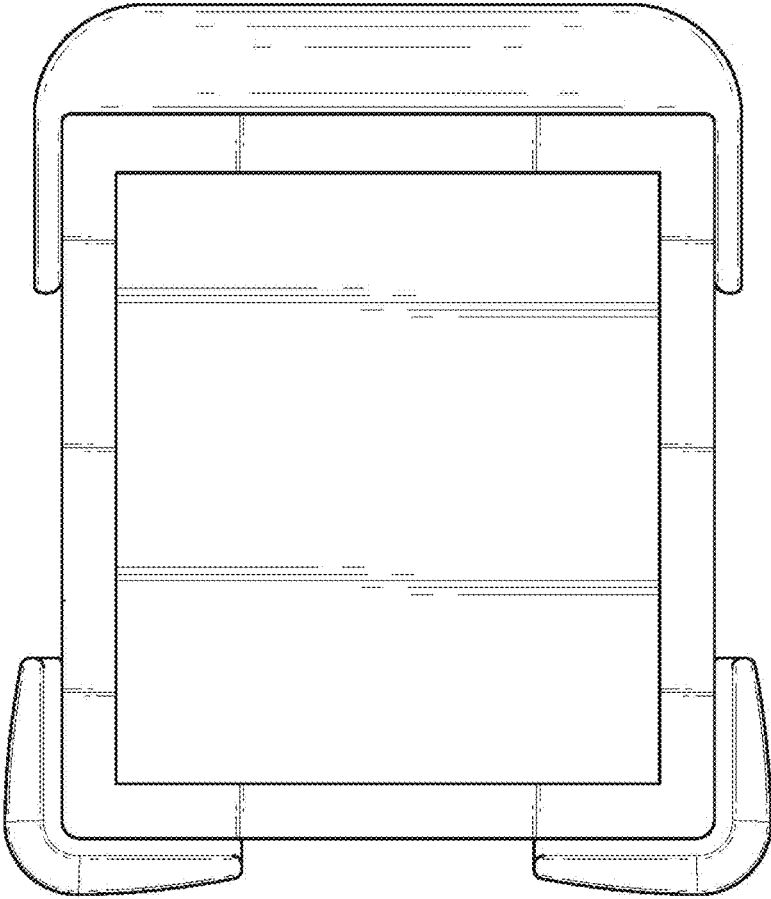


FIG. 2

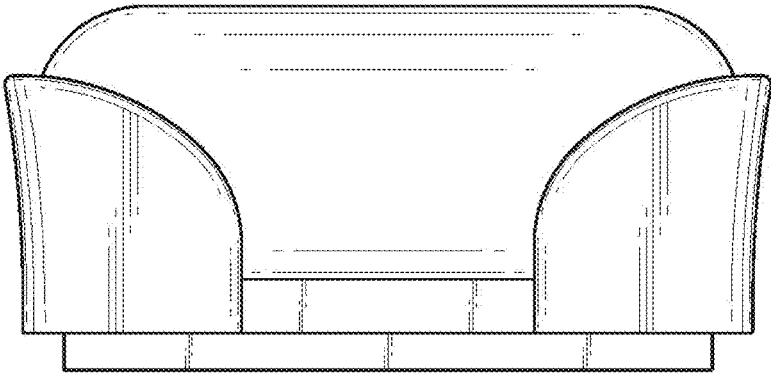


FIG. 3

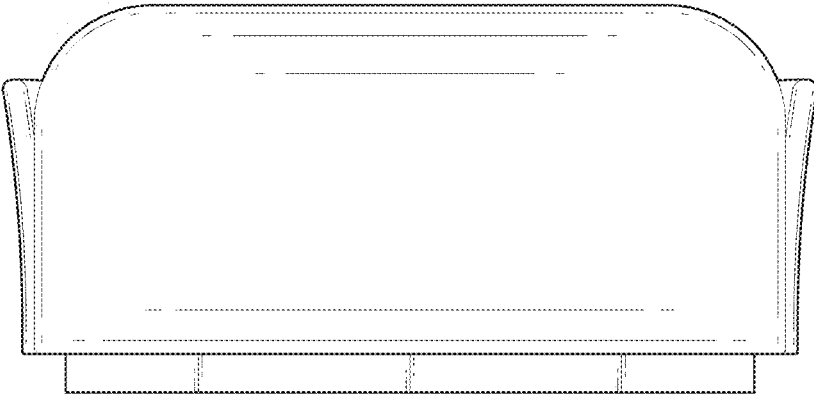


FIG. 4

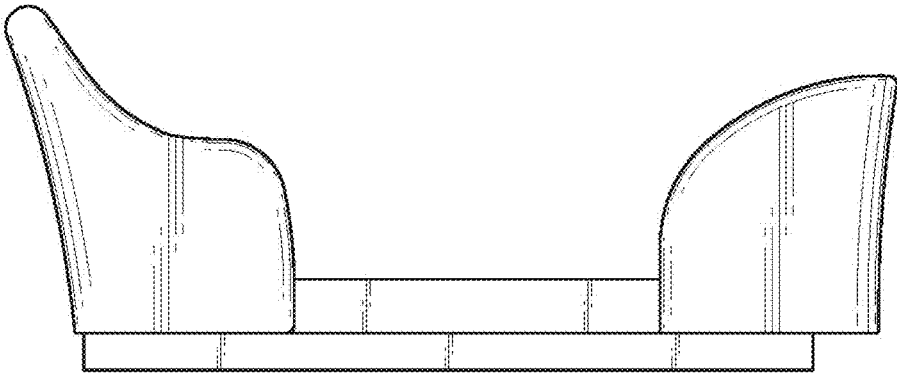


FIG. 5

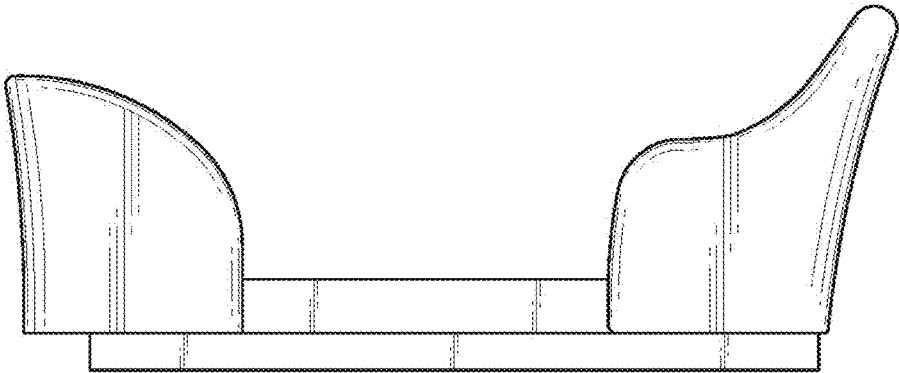


FIG. 6