



US00D767335S

(12) **United States Design Patent** (10) **Patent No.:** **US D767,335 S**
Khubani et al. (45) **Date of Patent:** **** Sep. 27, 2016**

- (54) **CONTAINER**
- (71) Applicants: **Anand Khubani**, Towaco, NJ (US);
Aaron Szymanski, Thomaston, CT (US)
- (72) Inventors: **Anand Khubani**, Towaco, NJ (US);
Aaron Szymanski, Thomaston, CT (US)
- (73) Assignee: **IdeaVillage Products Corp.**, Wayne, NJ (US)

D648,985 S	*	11/2011	Chiu	D7/510
D669,736 S	*	10/2012	Bodum	D7/510
D674,241 S	*	1/2013	Bickert	D7/510
D679,550 S	*	4/2013	Chapman	D7/591
D679,554 S	*	4/2013	Molz	D7/607
D688,521 S	*	8/2013	Lees	D7/510
D688,523 S	*	8/2013	Lees	D7/510
D701,425 S	*	3/2014	Pearson	D7/510
D705,609 S	*	5/2014	Keyes	D7/523
D715,100 S	*	10/2014	Eyal	D7/510
D723,871 S	*	3/2015	Khubani	D7/505
D740,611 S	*	10/2015	Crosby	D7/531
D740,612 S	*	10/2015	Crosby	D7/531
D740,613 S	*	10/2015	Crosby	D7/531

(**) Term: **14 Years**

(21) Appl. No.: **29/474,714**

(22) Filed: **Jan. 9, 2015**

FOREIGN PATENT DOCUMENTS

CN 300959495 * 7/2009

OTHER PUBLICATIONS

<http://tvstuffreviews.com/snackeez> Available Nov. 25, 2013.*
<http://www.momdoesreviews.com/2013/12/29/win-2-snackeez-drinks-nack-solution-ends-1230-us/> Available Dec. 29, 2013.*

* cited by examiner

Primary Examiner — Susan Bennett Hattan

Assistant Examiner — Leanne Was

(74) *Attorney, Agent, or Firm* — Dan DeLaRosa

Related U.S. Application Data

(63) Continuation-in-part of application No. 29/481,861, filed on Feb. 11, 2014, now Pat. No. Des. 723,871.

(51) **LOC (10) Cl.** **07-01**

(52) **U.S. Cl.**

USPC **D7/507**; D7/513

(58) **Field of Classification Search**

USPC D7/300, 300.1, 300.2, 305, 396.1, D7/396.2, 505, 507, 509-511, 513, 523, D7/532, 538, 541, 543, 549, 602, 619.1, D7/624.1, 624.2; D9/434, 435, 436, 443, D9/447, 449, 517, 519, 523, 530, 537, 715, D9/716, 737, 738, 740, 741, 743, 744, D9/751; 215/12.1; 220/288, 592.16, 220/592.17, 592.2, 592.24, 592.27, 694, 220/703, 711, 737, 739

See application file for complete search history.

(56) **References Cited**

U.S. PATENT DOCUMENTS

5,180,079 A * 1/1993 Jeng A47G 19/065
206/217
D608,147 S * 1/2010 Sykes D7/507

CLAIM

(57) The ornamental design for a container, as shown and described.

DESCRIPTION

FIG. 1 is a perspective view of a container of the present invention showing my new design;
FIG. 2 is a front side elevation view thereof;
FIG. 3 is a back side elevation view thereof;
FIG. 4 is a left side elevation view thereof;
FIG. 5 is a right side elevation view thereof;
FIG. 6 is top plan view thereof;
FIG. 7 is a bottom plan view thereof; and,
FIG. 8 is an exploded perspective view thereof.

1 Claim, 7 Drawing Sheets

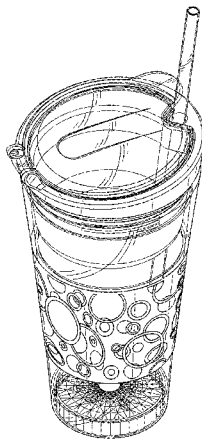




FIG. 1

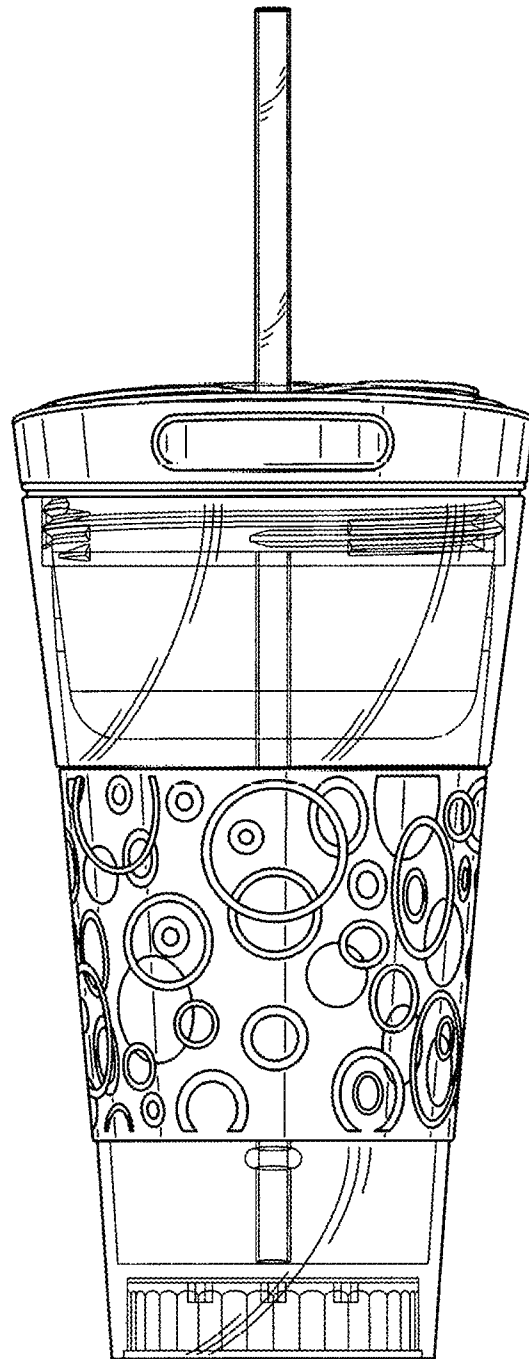


FIG. 2

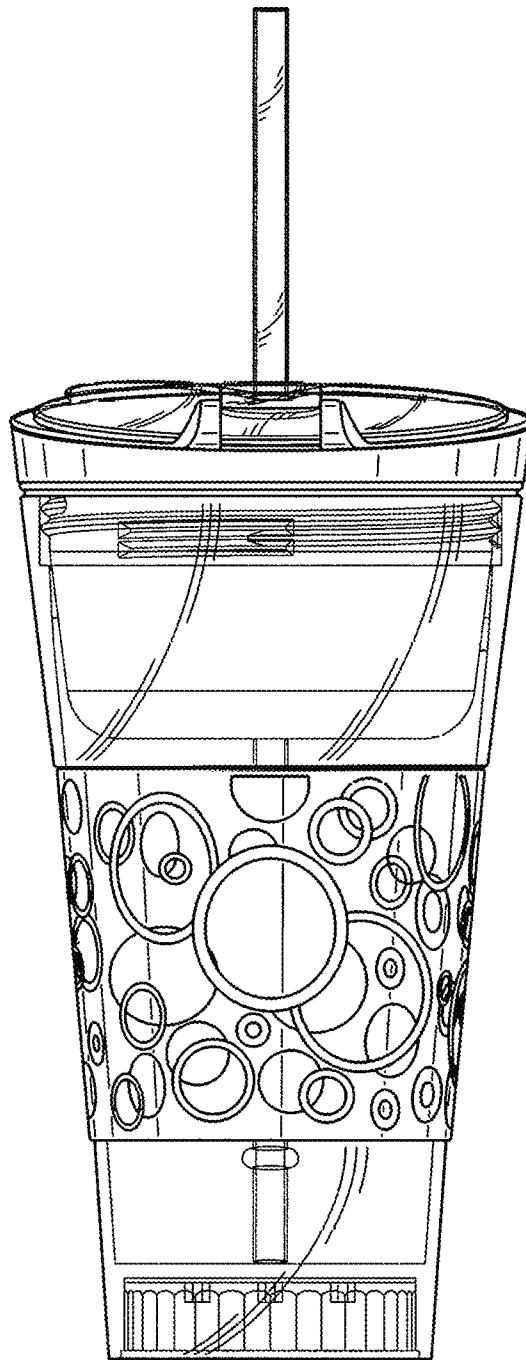


FIG. 3

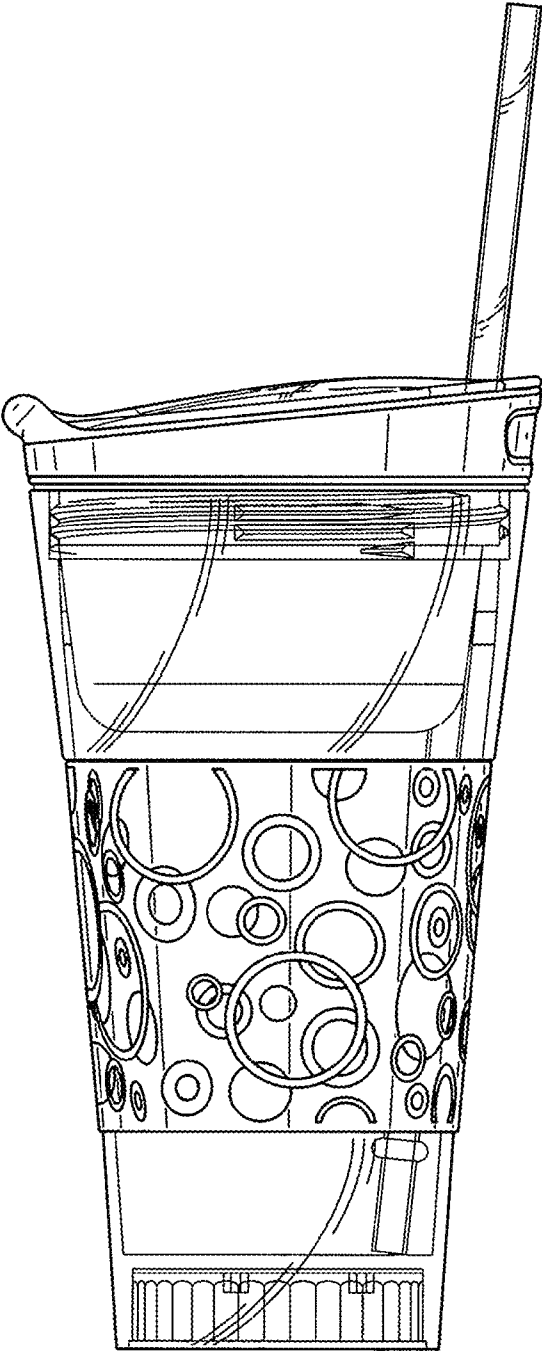


FIG. 4

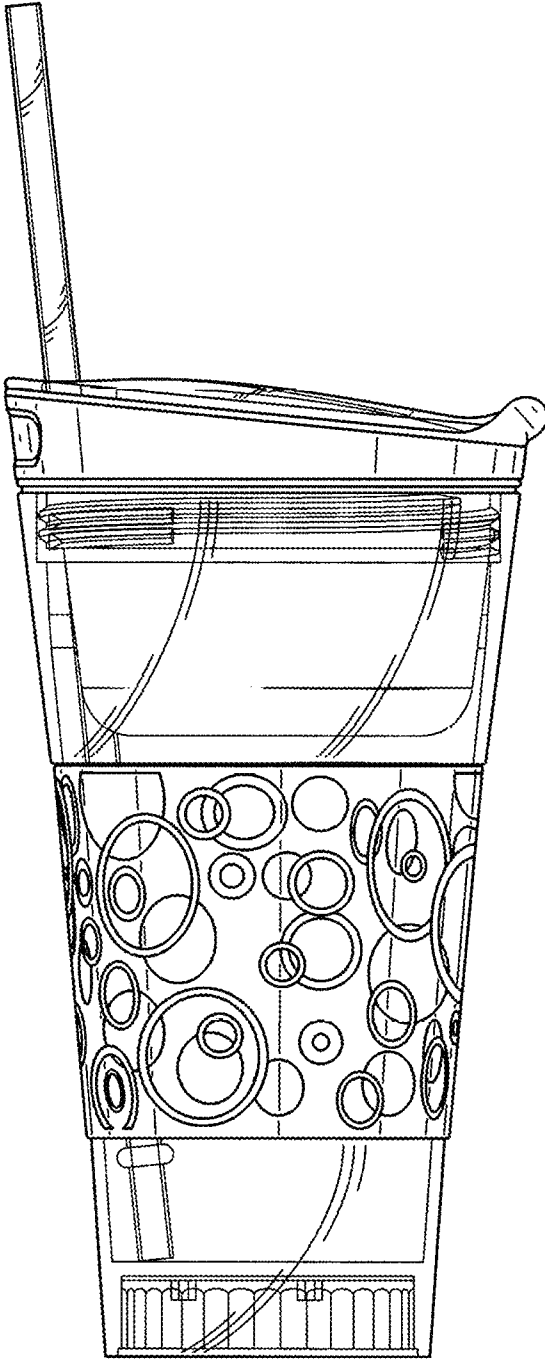


FIG. 5

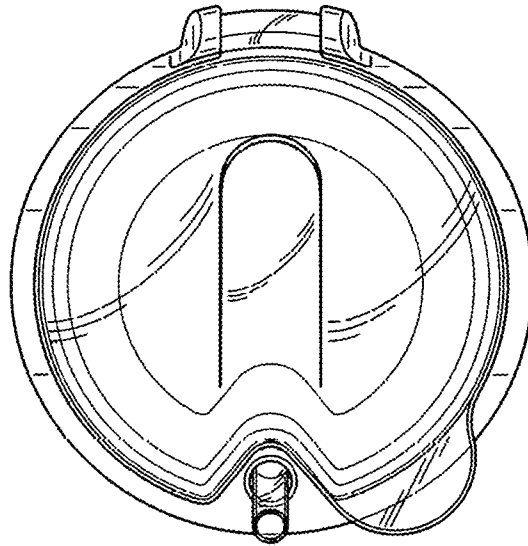


FIG. 6

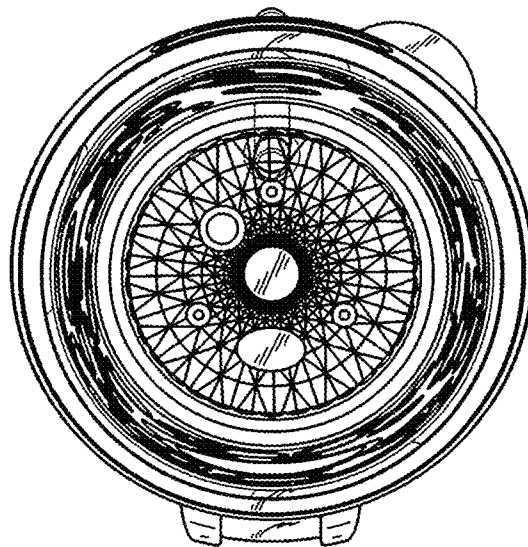


FIG. 7

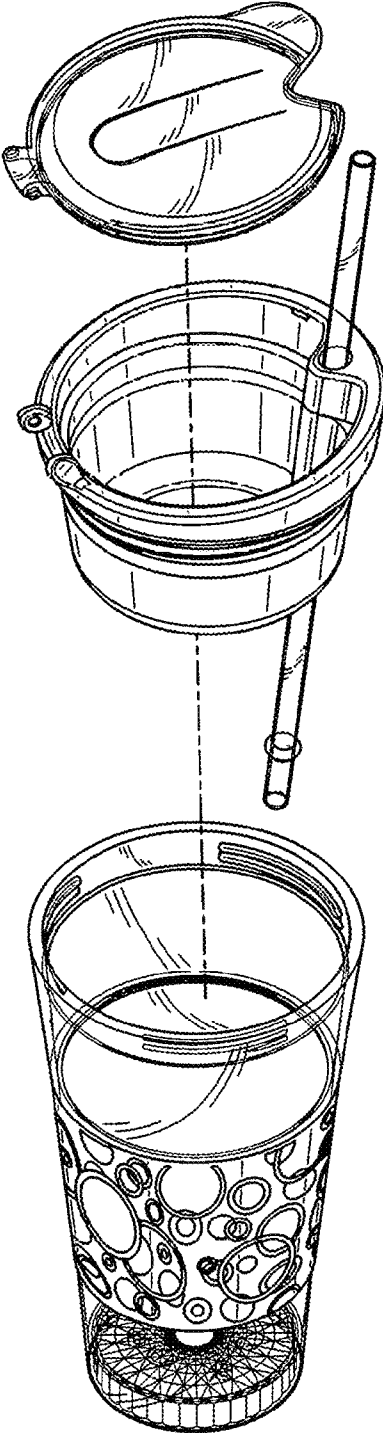


FIG. 8