

REVISED VERSION

(19) World Intellectual Property Organization
International Bureau



(43) International Publication Date
22 November 2007 (22.11.2007)

PCT

(10) International Publication Number
WO 2007/134143 A3

- (51) International Patent Classification:
A61B 5/05 (2006.01)
- (21) International Application Number:
PCT/US2007/068624
- (22) International Filing Date: 10 May 2007 (10.05.2007)
- (25) Filing Language: English
- (26) Publication Language: English
- (30) Priority Data:
60/799,884 12 May 2006 (12.05.2006) US
- (71) Applicant (for all designated States except US): **INVIVO CORPORATION** [US/US]; 12601 Research Parkway, Orlando, Florida 32826 (US).
- (72) Inventors; and
- (75) Inventors/Applicants (for US only): **FISHER, Stephen, Douglas** [US/US]; 629 Dolphin Road, Winter Springs, Florida 32708 (US). **HARWELL, Robert, A.** [US/US]; 812 Seminole Avenue, Orlando, Florida 32804 (US). **LAMBERT, Joseph, F., II** [US/US]; 12025 Ashton Manor

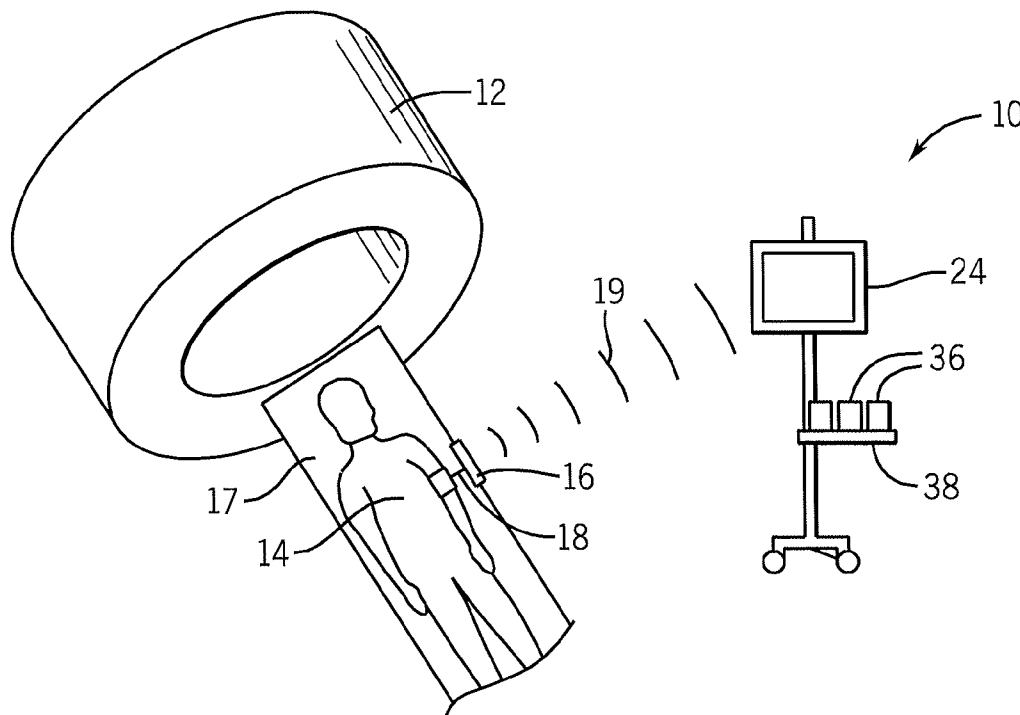
Way, #202, Orlando, Florida 32828 (US). **MOORE, John, C.** [US/US]; 3817 South Sequoia Avenue, Broken Arrow, OK 74011 (US). **NOLAN, Scott** [US/US]; 3069 South Horizon Place, Oviedo, Florida 32765 (US). **KILDEN-PEDERSEN, Jorgen** [US/US]; 705 Hardwood Circle, Orlando, Florida 32828 (US). **RIKENBERGER, Jon** [US/US]; 41 Pine Valley Circle, Ormond Beach, Florida 32174 (US). **WEEKS, Arthur, R., Jr.** [US/US]; 2100 Chapman Woods Place, Oviedo, Florida 32765 (US). **VAN ARSDEL, Kenneth** [US/US]; 3016 White Ash Trail, Orlando, Florida 32826 (US).

(74) Agent: **WILKINSON, J., Mark**; Boyle Fredrickson Newholm Stein & Gratz, S.C., 250 East Wisconsin Avenue, Suite 1030, Milwaukee, Wisconsin 53202 (US).

(81) Designated States (unless otherwise indicated, for every kind of national protection available): AE, AG, AL, AM, AT, AU, AZ, BA, BB, BG, BH, BR, BW, BY, BZ, CA, CH, CN, CO, CR, CU, CZ, DE, DK, DM, DZ, EC, EE, EG, ES, FI, GB, GD, GE, GH, GM, GT, HN, HR, HU, ID, IL, IN, IS, JP, KE, KG, KM, KN, KP, KR, KZ, LA, LC, LK, LR, LS, LT, LU, LY, MA, MD, ME, MG, MK, MN, MW, MX,

[Continued on next page]

(54) Title: WIRELESS PATIENT PARAMETER SENSORS FOR USE IN MRI



(57) Abstract: A wireless patient monitor for MRI provides for on-board filtering of physiological signals from the patient to provide improved assessment and processing of MRI noise before the signal is affected by the transmission process. A system of powering of a wireless patient monitor using capacitors is also provided.

WO 2007/134143 A3



MY, MZ, NA, NG, NI, NO, NZ, OM, PG, PH, PL, PT, RO,
RS, RU, SC, SD, SE, SG, SK, SL, SM, SV, SY, TJ, TM,
TN, TR, TT, TZ, UA, UG, US, UZ, VC, VN, ZA, ZM, ZW.

- (84) **Designated States** (*unless otherwise indicated, for every kind of regional protection available*): ARIPO (BW, GH, GM, KE, LS, MW, MZ, NA, SD, SL, SZ, TZ, UG, ZM, ZW), Eurasian (AM, AZ, BY, KG, KZ, MD, RU, TJ, TM), European (AT, BE, BG, CH, CY, CZ, DE, DK, EE, ES, FI, FR, GB, GR, HU, IE, IS, IT, LT, LU, LV, MC, MT, NL, PL, PT, RO, SE, SI, SK, TR), OAPI (BF, BJ, CF, CG, CI, CM, GA, GN, GQ, GW, ML, MR, NE, SN, TD, TG).

Published:

- *with international search report*
- *before the expiration of the time limit for amending the claims and to be republished in the event of receipt of amendments*

(88) **Date of publication of the international search report:**
23 October 2008

Date of publication of the revised international search report:
24 December 2008

(15) **Information about Correction:**
see Notice of 24 December 2008

CORRECTED VERSION

INTERNATIONAL SEARCH REPORT

International application No.

PCT/US07/68624

A. CLASSIFICATION OF SUBJECT MATTER IPC: A61B 5/05(2006.01) USPC: 600/410 According to International Patent Classification (IPC) or to both national classification and IPC		
B. FIELDS SEARCHED Minimum documentation searched (classification system followed by classification symbols) U.S. : 600/410 Documentation searched other than minimum documentation to the extent that such documents are included in the fields searched Electronic data base consulted during the international search (name of data base and, where practicable, search terms used)		
C. DOCUMENTS CONSIDERED TO BE RELEVANT		
Category *	Citation of document, with indication, where appropriate, of the relevant passages	Relevant to claim No.
X, P	US 2006/0241392 A1 (FEINSTEIN et al) 26 October 2006 (26.10.2006), whole document.	1-24
A	US 2005/0107681 A1 (GRIFFINTHS) 19 May 2005 (19.05.2005), whole document.	1-24
<input type="checkbox"/> Further documents are listed in the continuation of Box C. <input type="checkbox"/> See patent family annex.		
* Special categories of cited documents:		
"A"	document defining the general state of the art which is not considered to be of particular relevance	"T" later document published after the international filing date or priority date and not in conflict with the application but cited to understand the principle or theory underlying the invention
"E"	earlier application or patent published on or after the international filing date	"X" document of particular relevance; the claimed invention cannot be considered novel or cannot be considered to involve an inventive step when the document is taken alone
"L"	document which may throw doubts on priority claim(s) or which is cited to establish the publication date of another citation or other special reason (as specified)	"Y" document of particular relevance; the claimed invention cannot be considered to involve an inventive step when the document is combined with one or more other such documents, such combination being obvious to a person skilled in the art
"O"	document referring to an oral disclosure, use, exhibition or other means	"&" document member of the same patent family
"P"	document published prior to the international filing date but later than the priority date claimed	
Date of the actual completion of the international search 27 May 2008 (27.05.2008)		Date of mailing of the international search report 10 NOV 2008
Name and mailing address of the ISA/US Mail Stop PCT, Attn: ISA/US Commissioner for Patents P.O. Box 1450 Alexandria, Virginia 22313-1450 Facsimile No. (571) 273-3201		Authorized officer Michael Astorino Telephone No. (571) 272-4723