



US00D799427S

(12) **United States Design Patent**
Newhouse et al.

(10) **Patent No.:** **US D799,427 S**

(45) **Date of Patent:** **** Oct. 10, 2017**

- (54) **DESKTOP RECEPTACLE COVER**
- (71) Applicant: **Group Dekko, Inc.**, Garrett, IN (US)
- (72) Inventors: **Thomas J. Newhouse**, Grand Rapids, MI (US); **Vincent Maranto**, Fort Wayne, IN (US)
- (73) Assignee: **Group Dekko, Inc.**, Garrett, IN (US)
- (**) Term: **15 Years**
- (21) Appl. No.: **29/555,068**
- (22) Filed: **Feb. 18, 2016**
- (51) **LOC (10) Cl.** **13-03**
- (52) **U.S. Cl.**
USPC **D13/139.4**
- (58) **Field of Classification Search**
USPC D13/108, 110, 123, 133, 137.1-137.4,
D13/138.1-138.2, 139.1-139.8, 152-154,
D13/156, 158, 177, 146, 147;
D8/350-353, 331; D25/138, 163, 164
CPC H01R 25/00; H01R 25/006; H01R 9/00;
H01R 11/00; H05K 5/02
See application file for complete search history.

- 7,614,889 B1 * 11/2009 Black H01R 13/5213
174/67
- D605,139 S * 12/2009 Moore D13/156
- D633,877 S * 3/2011 Heng D13/182
- D635,921 S * 4/2011 Sato D13/139.4
- D640,641 S * 6/2011 Felegy, Jr. D13/158
- D662,885 S * 7/2012 Hoffman D13/139.1
- D686,992 S * 7/2013 Eisen D13/133
- D709,031 S * 7/2014 Byrne D13/139.4

(Continued)

OTHER PUBLICATIONS

Dekko.com: Dekko Power & Data Products, Stafford Mini.
Retrieved from the internet at <<http://www.dekko.com/power-data-product/stafford-mini/>>, Jul. 25, 2017. 1 page.*

Primary Examiner — Rosemary K Tarcza
Assistant Examiner — Christy Nemeth
(74) *Attorney, Agent, or Firm* — Taylor IP, P.C.

(57) **CLAIM**

The ornamental design for a desktop receptacle cover, as shown and described.

DESCRIPTION

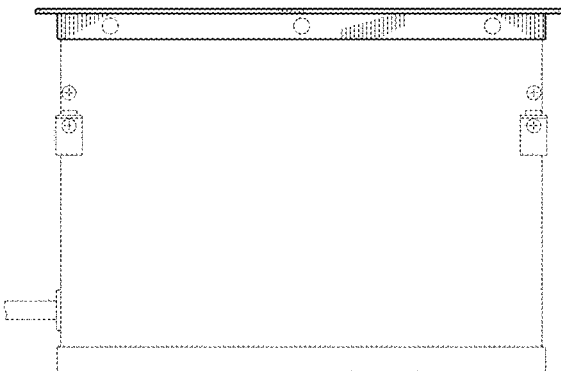
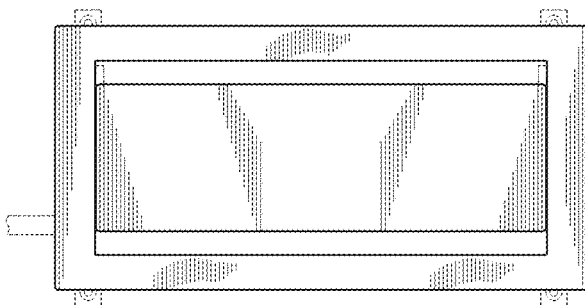
FIG. 1 is a top view of a desktop receptacle cover shown in the environment of a desktop receptacle;
FIG. 2 is a front view thereof;
FIG. 3 is a side view thereof;
FIG. 4 is a rear perspective view thereof;
FIG. 5 is a bottom view thereof;
FIG. 6 is a second top view of the desktop receptacle cover, shown without environment for ease of illustration; and,
FIG. 7 is a cross-sectional view thereof taken along the line 7-7 in FIG. 6.
In the drawings, the broken lines are for the purpose of illustrating environment only and form no part of the claimed design.

1 Claim, 4 Drawing Sheets

(56) **References Cited**

U.S. PATENT DOCUMENTS

D269,429 S *	6/1983	Doyle	D13/152
D350,530 S *	9/1994	Comerci	D13/156
D389,307 S *	1/1998	Zimmerman	D3/273
D401,558 S *	11/1998	Almond	D13/152
D443,592 S *	6/2001	Fratini	D13/152
D471,159 S *	3/2003	Albicker	D13/152
D493,695 S *	8/2004	Wengrower	D13/177
D510,906 S *	10/2005	Vinciarelli	D13/110
D513,871 S *	1/2006	Rosine	D3/273
D520,947 S *	5/2006	Vinciarelli	D13/110
D531,798 S *	11/2006	Ringo	D3/273
D573,005 S *	7/2008	Huang	D8/353
D597,960 S *	8/2009	Dinh	D13/152



(56)

References Cited

U.S. PATENT DOCUMENTS

D716,232 S * 10/2014 Byrne D13/139.4
D733,065 S * 6/2015 Porter D13/152
D744,951 S * 12/2015 Oosterman D13/139.1
D752,517 S * 3/2016 Scott D13/139.4
D755,128 S * 5/2016 Page D13/139.4
D755,129 S * 5/2016 Page D13/139.4
D762,102 S * 7/2016 Gokcebay D8/330
D774,469 S * 12/2016 Suenaga D13/156
D775,080 S * 12/2016 Newhouse D13/139.4
2016/0037666 A1 * 2/2016 Page A47B 21/06
312/223.6
2017/0063426 A1 * 3/2017 Daigle H01R 25/006

* cited by examiner

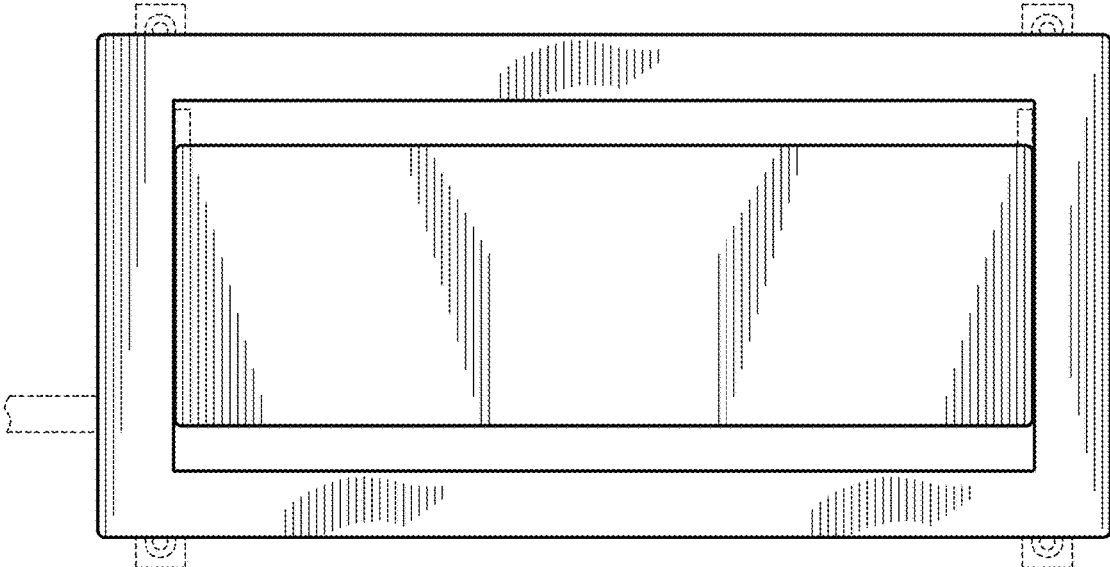


Fig. 1

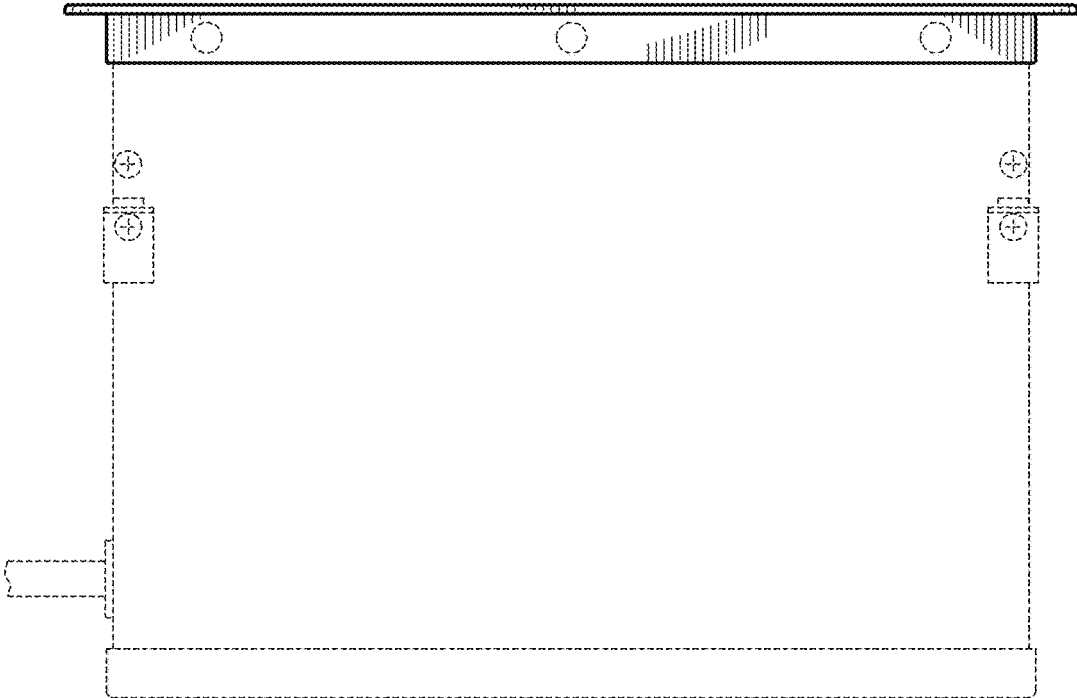


Fig. 2

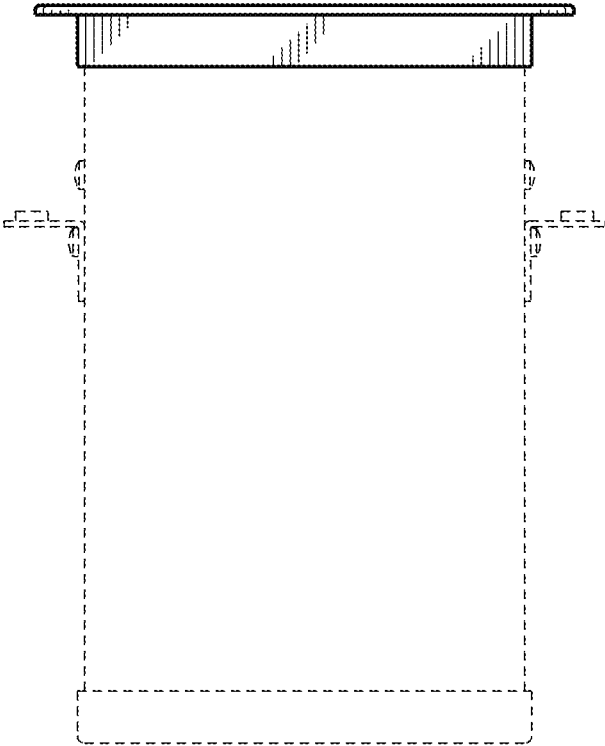


Fig. 3

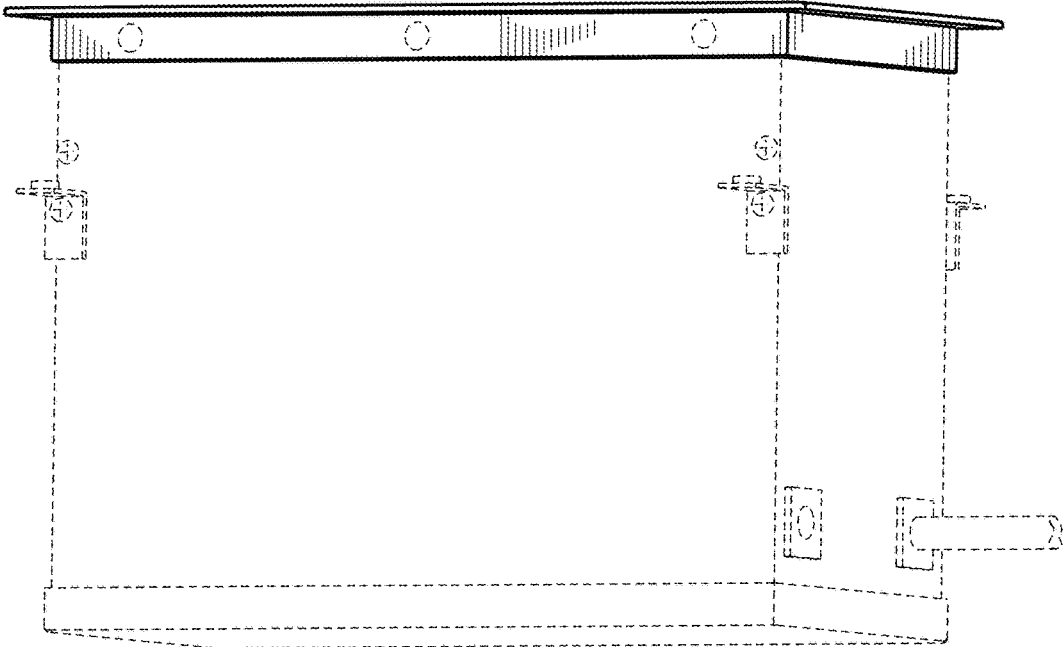


Fig. 4

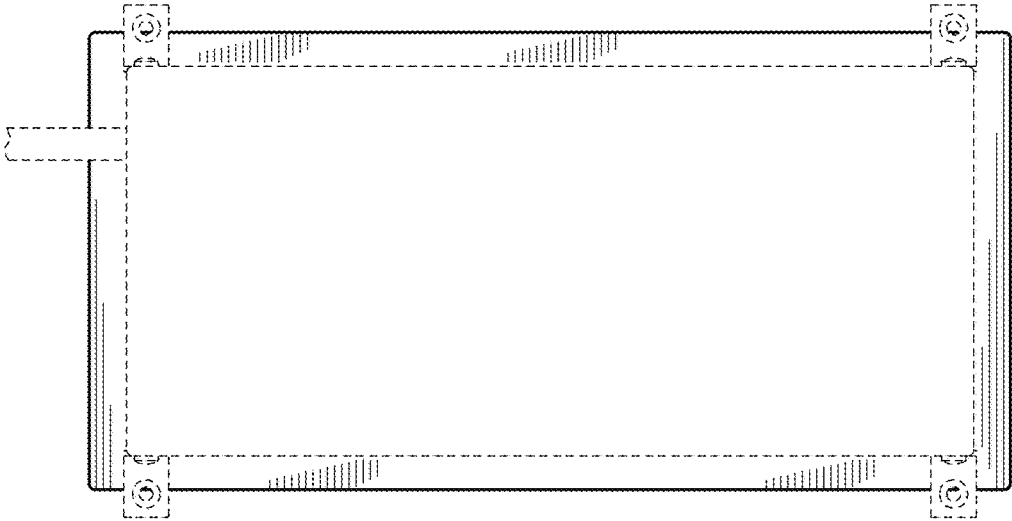


Fig. 5

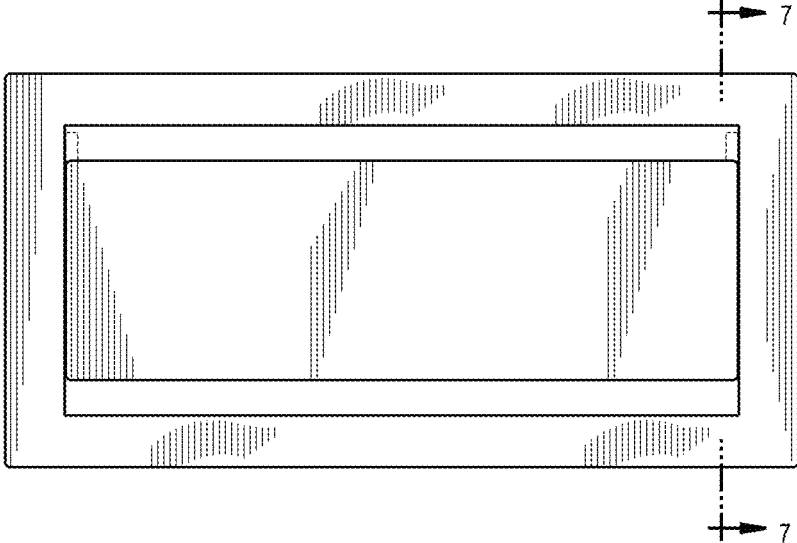


Fig. 6

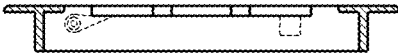


Fig. 7