



US00D472857S

(12) **United States Design Patent**
Weber et al.

(10) **Patent No.:** **US D472,857 S**

(45) **Date of Patent:** **** Apr. 8, 2003**

(54) **HOOD**

(75) **Inventors:** **Cindy Louise Weber**, Williamsburg, VA (US); **James Heinrich Weitz**, Hoboken, NJ (US); **Alberto Mantilla**, Regal Park, NY (US); **Anthony John Baxter**, New York, NY (US)

(73) **Assignee:** **Deere & Company**, Moline, IL (US)

(**) **Term:** **14 Years**

(21) **Appl. No.:** **29/164,175**

(22) **Filed:** **Jul. 19, 2002**

(51) **LOC (7) Cl.** **12-16**

(52) **U.S. Cl.** **D12/173**

(58) **Field of Search** D12/173, 164,
D12/14, 15, 16; 180/69.2, 69.21

(56) **References Cited**

U.S. PATENT DOCUMENTS

D316,696 S	5/1991	Haag et al.	D12/196
D343,818 S	2/1994	DeBraal et al.	D12/173
D352,723 S	11/1994	DeBraal et al.	D15/31

5,509,710 A	4/1996	Eavenson, Sr. et al.	296/19
D409,544 S	5/1999	Voss et al.	D12/196
D436,557 S	* 1/2001	Selby et al.	D12/14
D449,806 S	* 10/2001	VanderMolen	D12/164

* cited by examiner

Primary Examiner—Melody N. Brown

(57) **CLAIM**

The ornamental design for a hood, as shown and described.

DESCRIPTION

FIG. 1 is a front right elevated perspective view of a hood showing our new design.

FIG. 2 is a front left elevated perspective view of the hood design of FIG. 1.

FIG. 3 is a top plan view of the hood design of FIG. 1.

FIG. 4 is a front view of the hood design of FIG. 1.

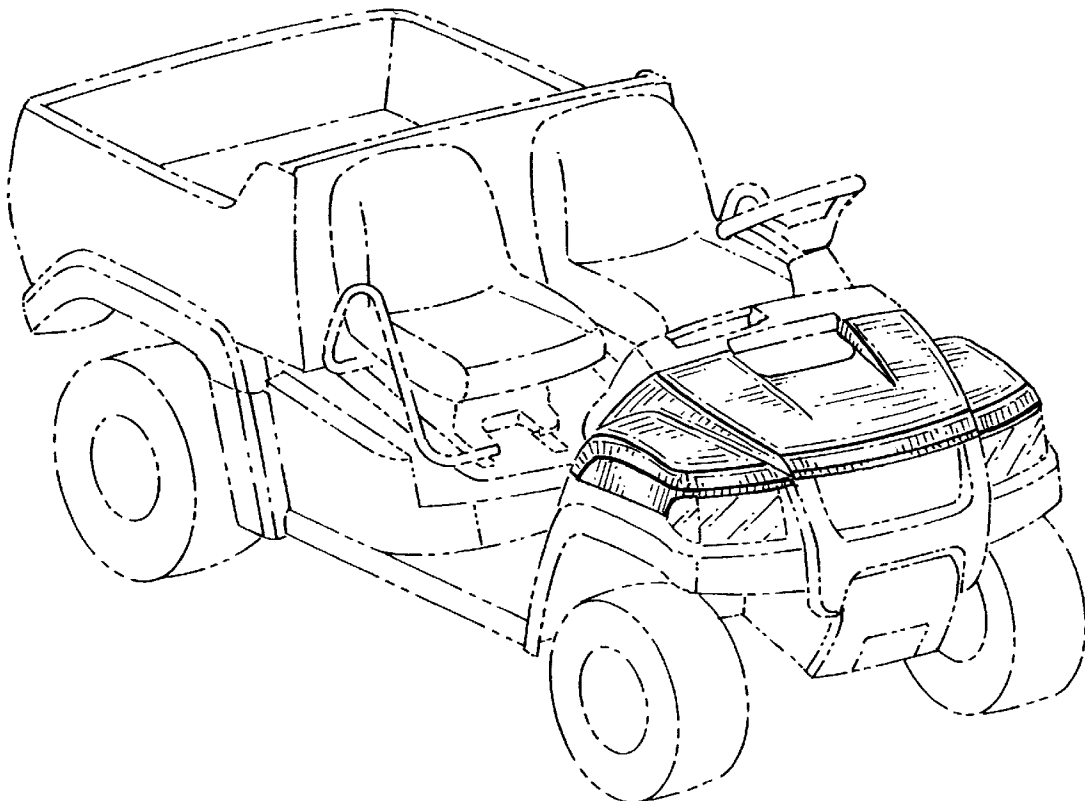
FIG. 5 is a rear view of the hood design of FIG. 1.

FIG. 6 is a right side view of the hood design of FIG. 1; and,

FIG. 7 is a left side view of the hood design of FIG. 1.

The broken lines shown in FIG. 1 of the drawing are for illustrative purposes and form no part of the claimed design.

1 Claim, 2 Drawing Sheets



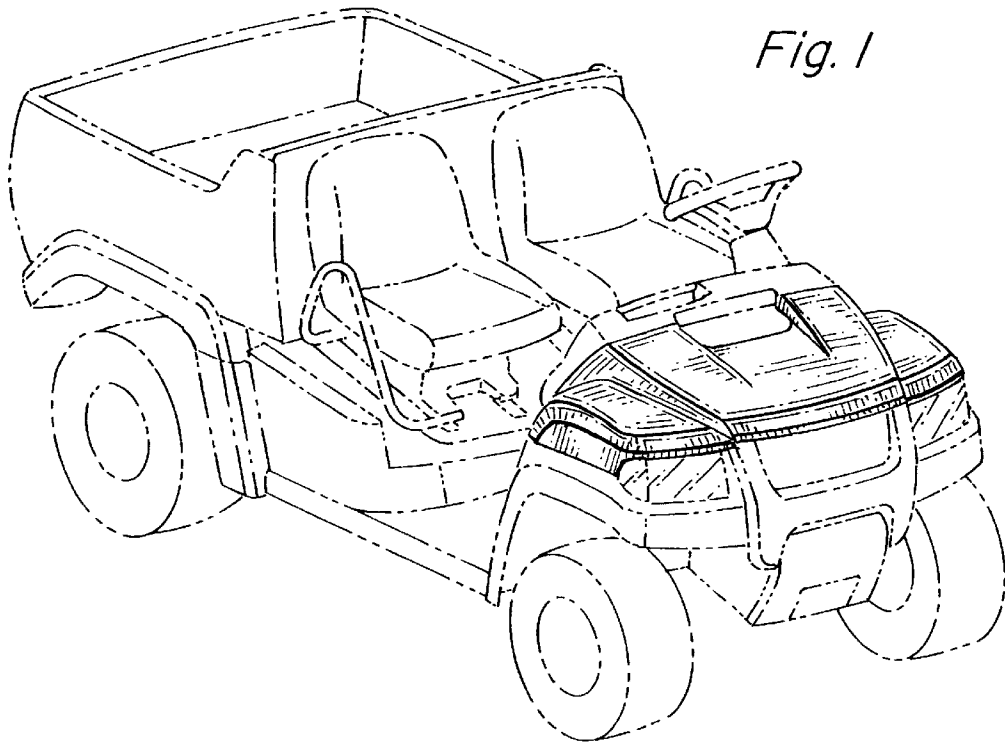


Fig. 1

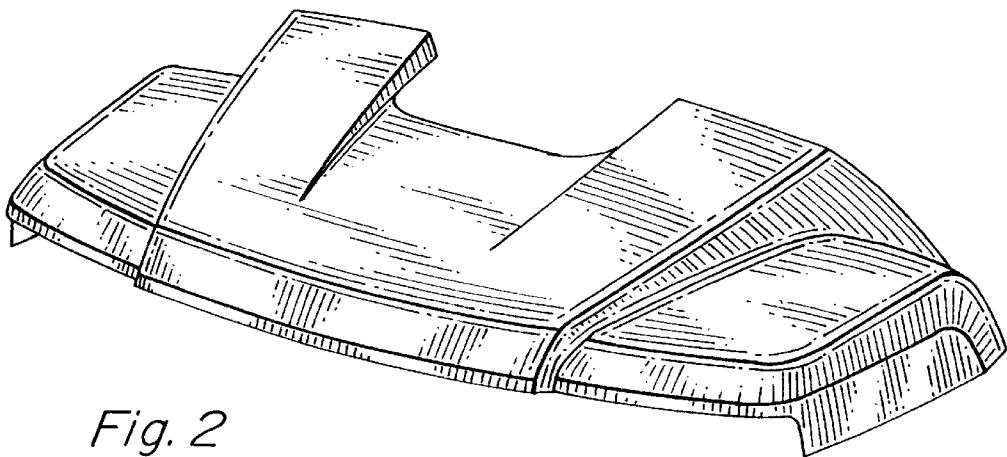


Fig. 2

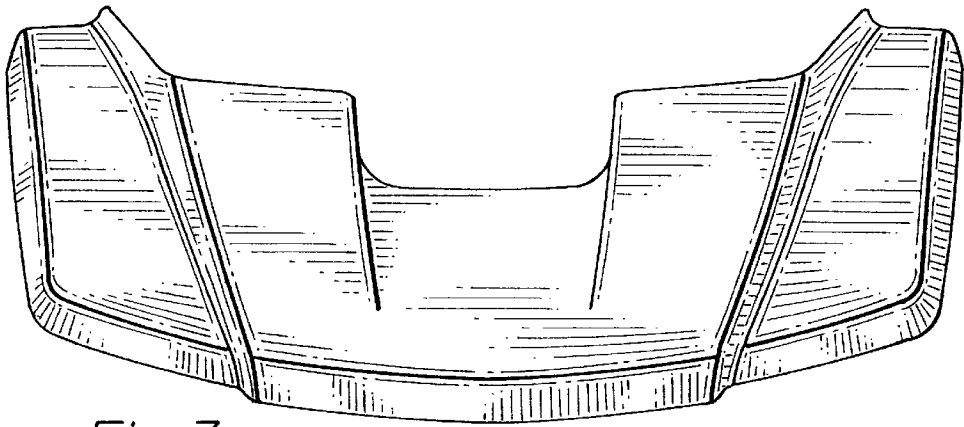


Fig. 3

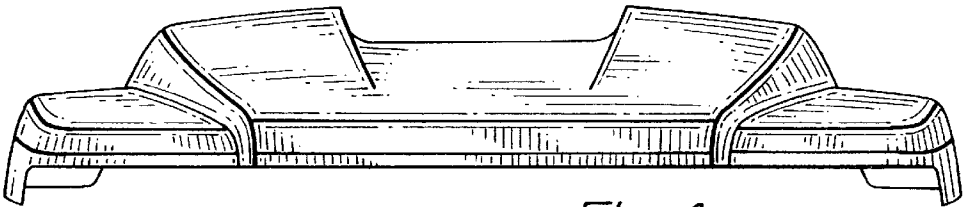


Fig. 4

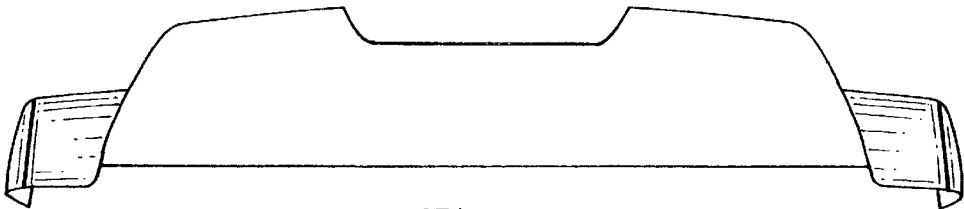


Fig. 5

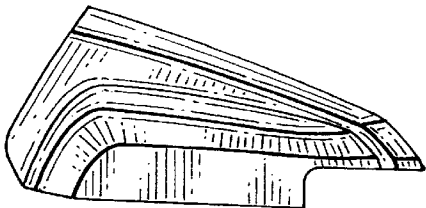


Fig. 6

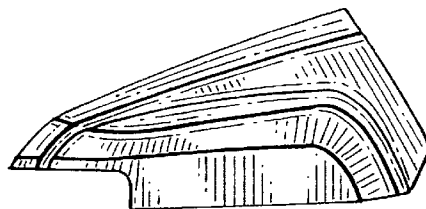


Fig. 7