



(12) **United States Design Patent**  
**Ricca et al.**

(10) **Patent No.:** **US D816,844 S**  
(45) **Date of Patent:** **\*\* May 1, 2018**

- (54) **LUMBAR INTERBODY IMPLANT**
- (71) Applicant: **American Medical Ortho Systems LLC, Pangburn, AR (US)**
- (72) Inventors: **Gregory F. Ricca, Searcy, AR (US); John C. Balenko, Pangburn, AR (US)**
- (73) Assignee: **American Medical Ortho Systems LLC, Pangburn, AR (US)**
- (\*\*) Term: **15 Years**
- (21) Appl. No.: **29/609,269**
- (22) Filed: **Jun. 29, 2017**
- (51) **LOC (11) Cl.** ..... **24-02**
- (52) **U.S. Cl.**  
USPC ..... **D24/155**
- (58) **Field of Classification Search**  
USPC ..... D24/155  
CPC ..... A61F 2/4611; A61F 2/442; A61F 2/447; A61F 2220/0025; A61F 2310/00023; A61F 2310/00017; A61F 2002/4475; A61F 2002/30841; A61F 2002/2835; A61F 2002/30904; A61F 2002/30785; A61F 2002/443; A61F 2002/30578  
See application file for complete search history.

6,835,208	B2	12/2004	Marchosky	
D541,940	S	5/2007	Blain	
D619,719	S *	7/2010	Pannu	D24/155
D627,468	S *	11/2010	Richter	D24/155
7,828,849	B2	11/2010	Lim	
7,867,277	B1 *	1/2011	Tohmeh	A61F 2/4455 623/17.11
7,938,857	B2 *	5/2011	Garcia-Bengochea	A61B 17/1671 623/17.11
D653,757	S *	2/2012	Binder	A61F 2/446 D24/155
8,273,129	B2	9/2012	Baynham	
8,323,342	B2	12/2012	Schwab	
8,382,842	B2	2/2013	Greenhaugh	
8,690,949	B2	4/2014	Messerli	
8,845,727	B2 *	9/2014	Gottlieb	A61F 2/442 623/17.11
8,978,933	B2	3/2015	Vishnubholta	
8,986,389	B2	3/2015	Lim	
9,011,544	B2	4/2015	Arramon	
D732,667	S *	6/2015	McCormack	D24/155

*Primary Examiner* — Charles D Hanson  
(74) *Attorney, Agent, or Firm* — Stephen D. Carver

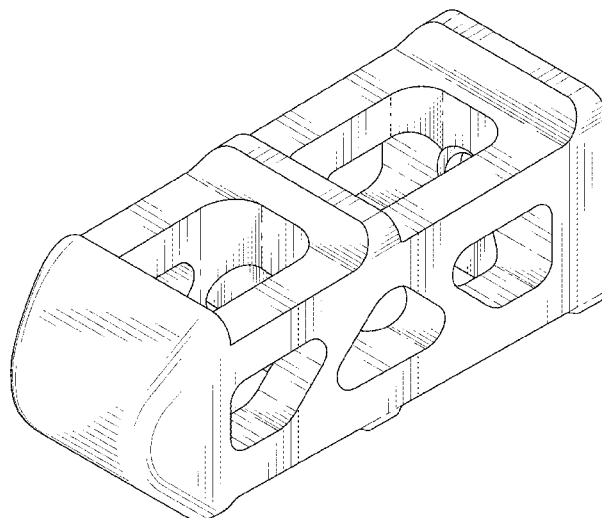
(57) **CLAIM**  
The ornamental design for a lumbar interbody implant, as shown and described.

**DESCRIPTION**

FIG. 1 is a frontal isometric view of our new lumbar interbody implant, showing our new design;  
FIG. 2 is a front elevational view thereof;  
FIG. 3 is a rear elevational view;  
FIG. 4 is a left side elevational view taken from a position to the right of FIG. 1;  
FIG. 5 is a right side elevational view thereof;  
FIG. 6 is a top plan view thereof;  
FIG. 7 is a bottom plan view thereof; and,  
FIG. 8 is a rear isometric view thereof.

**1 Claim, 5 Drawing Sheets**

- (56) **References Cited**  
U.S. PATENT DOCUMENTS
- 5,192,327 A 3/1993 Brantigan
- 5,306,309 A 4/1994 Wagner
- 5,425,772 A 6/1995 Brantigan
- 5,443,514 A 8/1995 Steffee
- 5,458,638 A 10/1995 Kuslich
- 5,607,424 A 3/1997 Tropiano
- 5,609,636 A 3/1997 Kohrs
- 5,669,909 A 11/1997 Zdeblick
- 5,766,252 A 6/1998 Henry
- 6,080,158 A 6/2000 Lim



(56)

**References Cited**

## U.S. PATENT DOCUMENTS

D745,156	S *	12/2015	McCormack	.....	D24/155
9,204,972	B2	12/2015	Weiman		
D750,249	S *	2/2016	Grimberg, Jr.	.....	D24/155
9,259,329	B2	2/2016	Greenhaugh		
9,381,049	B2 *	7/2016	McCormack	.....	A61F 2/4405
2001/0016774	A1	8/2001	Bresina		
2002/0055781	A1	5/2002	Sazy		
2006/0173464	A1	8/2006	Ellman		
2006/0265068	A1	11/2006	Schwab		
2007/0213823	A1	9/2007	Trieu		
2009/0043390	A1	2/2009	Meisel		
2011/0144755	A1 *	6/2011	Baynham	.....	A61F 2/447 623/17.16
2012/0065613	A1 *	3/2012	Pepper	.....	A61F 2/447 604/500
2014/0100657	A1 *	4/2014	McCormack	.....	A61F 2/4405 623/17.11
2016/0051371	A1	2/2016	Defelice		
2016/0058573	A1	3/2016	DiMauro		
2016/0089250	A1	3/2016	Gfeller		
2016/0106548	A1	4/2016	Li		
2016/0128846	A1	5/2016	Voellmicke		

\* cited by examiner

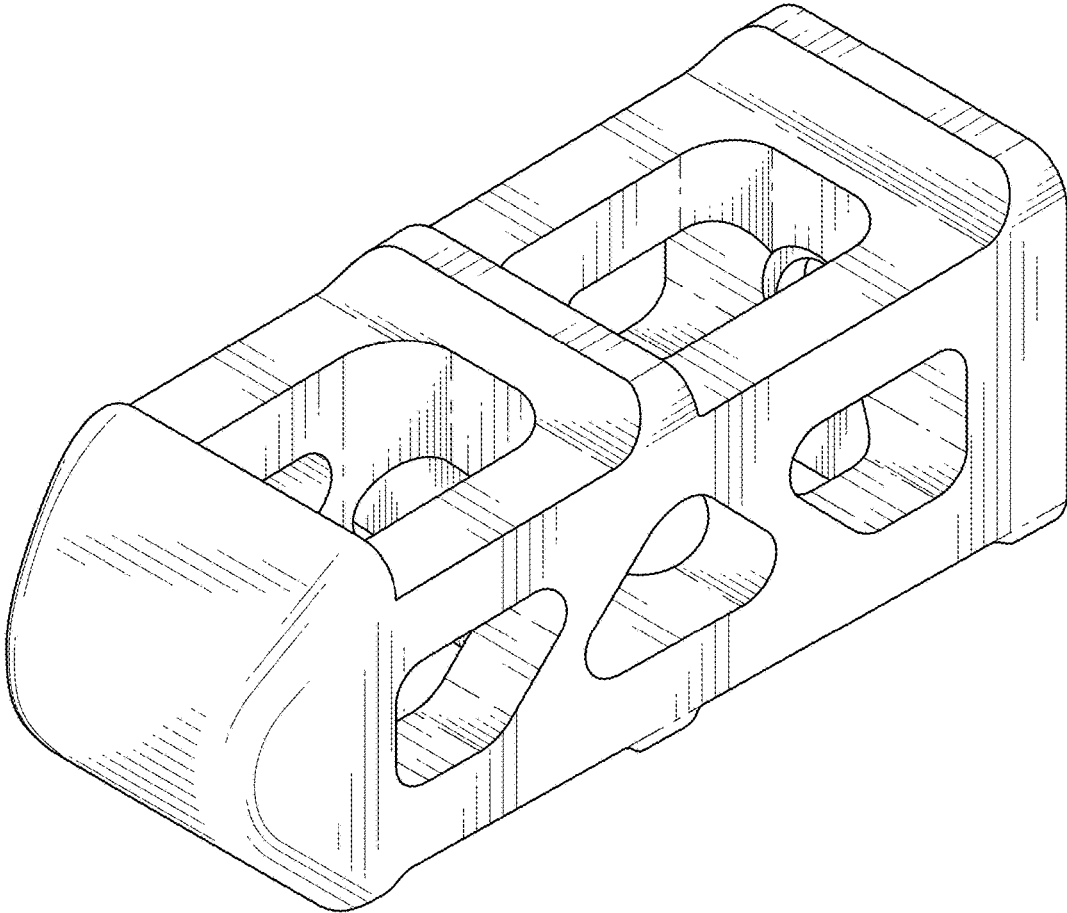


FIG. 1

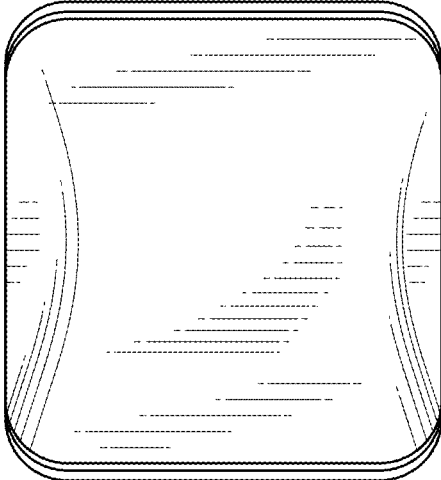


FIG. 2

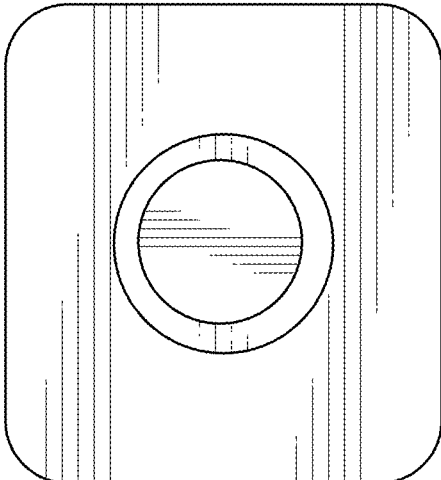


FIG. 3

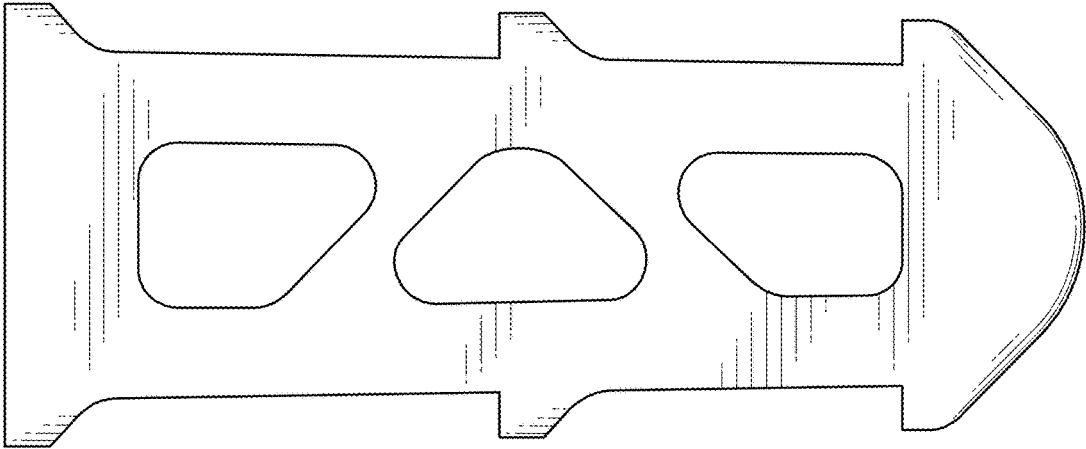


FIG. 4

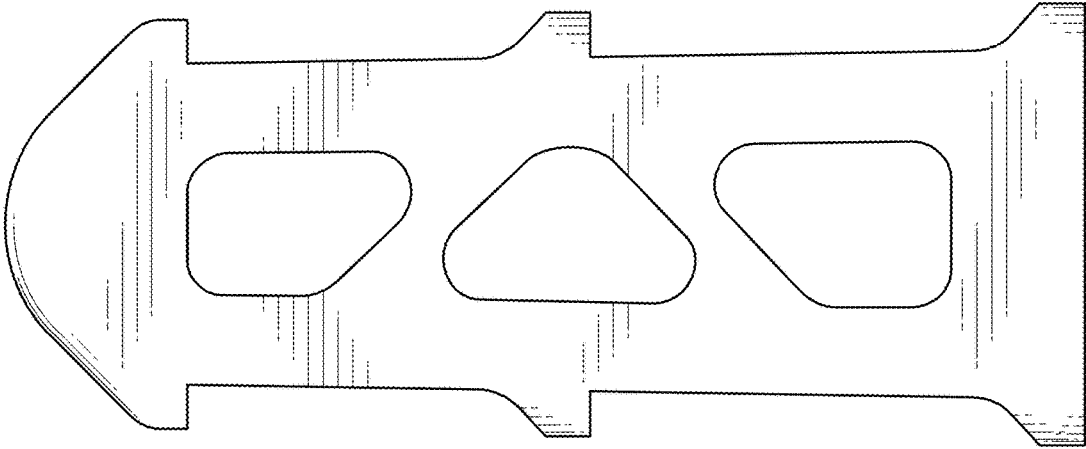


FIG. 5

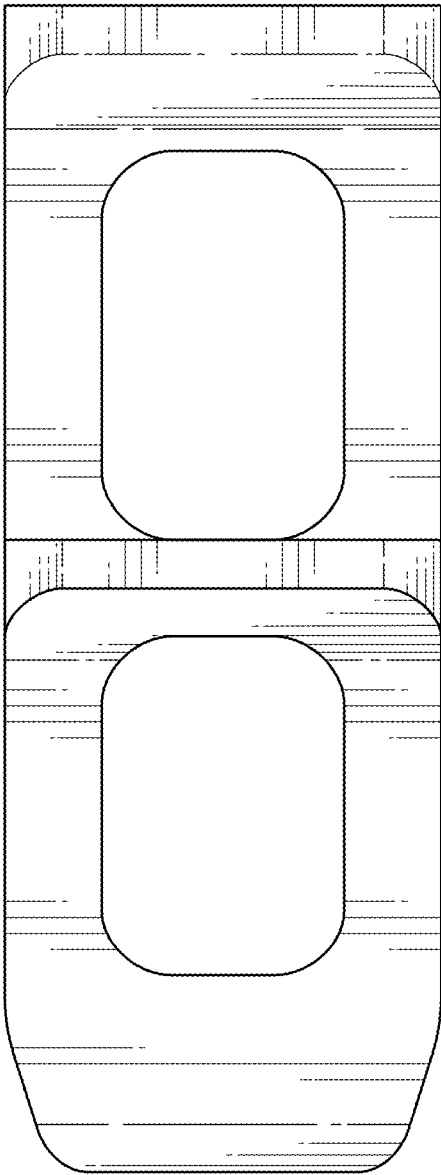


FIG. 6

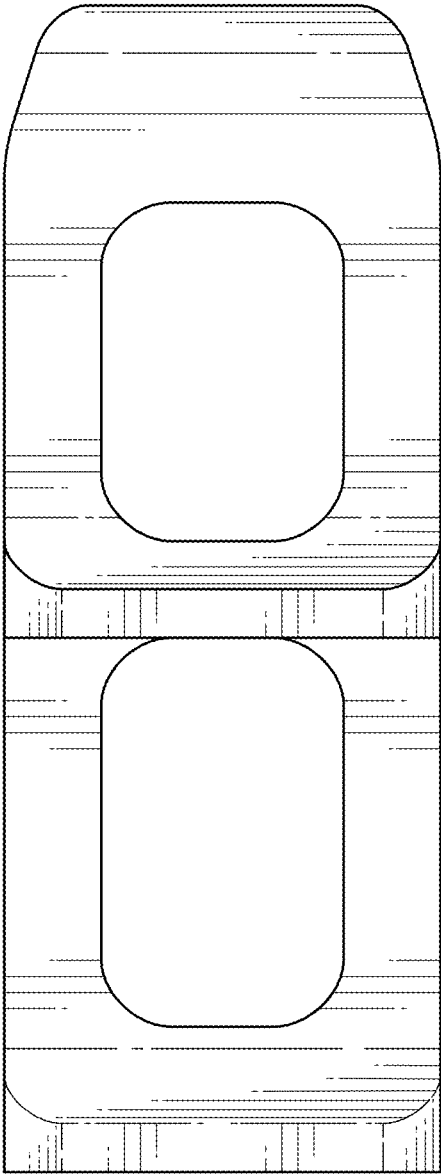


FIG. 7

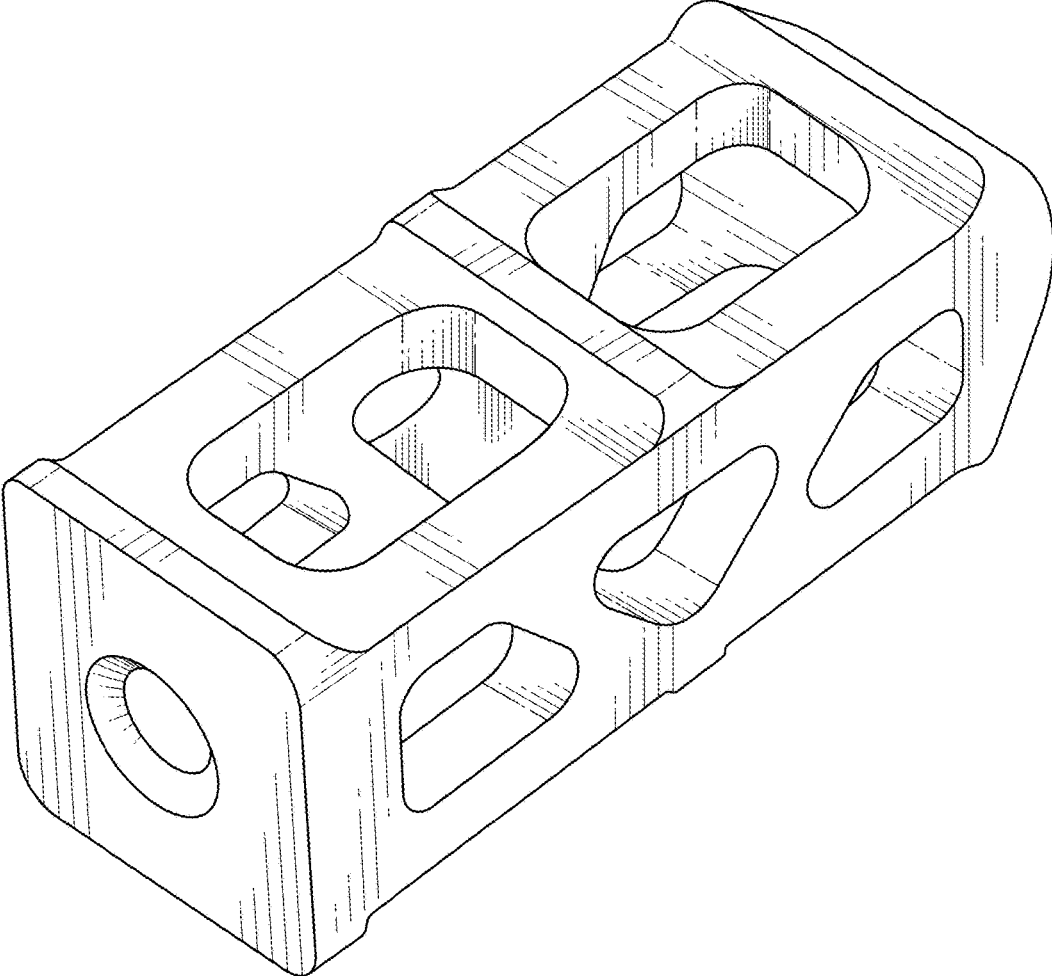


FIG. 8