



(12) **United States Design Patent**  
**Eckert et al.**

(10) **Patent No.:** **US D843,581 S**  
(45) **Date of Patent:** **\*\* \*Mar. 19, 2019**

(54) **PLASMA ARRAY CONNECTOR ASSEMBLY**

**DESCRIPTION**

- (71) Applicant: **ChiScan Holdings, LLC**, Las Vegas, NV (US)
- (72) Inventors: **Bryon K. Eckert**, Chandler, AZ (US); **Bradley N. Eckert**, Chandler, AZ (US); **Huan Truong**, Chandler, AZ (US)
- (73) Assignee: **Chiscan Holdings, L.L.C.**, Las Vegas, NV (US)
- (\* ) Notice: This patent is subject to a terminal disclaimer.
- (\*\*) Term: **15 Years**
- (21) Appl. No.: **29/614,857**
- (22) Filed: **Aug. 23, 2017**
- (51) **LOC (11) Cl.** ..... **24-01**
- (52) **U.S. Cl.** ..... **D24/158**
- (58) **Field of Classification Search**  
USPC ..... D24/107, 158–161, 185, 186, 187, 231, D24/232; D13/182  
CPC ..... H05H 1/2406; H05H 2001/2412; H05H 2240/20; A61N 5/00  
See application file for complete search history.

(56) **References Cited**

**U.S. PATENT DOCUMENTS**

D363,989 S *	11/1995	Crouse	.....	D24/187
D377,219 S *	1/1997	Strand	.....	D24/187
D614,305 S *	4/2010	Al-Ali	.....	D24/187
D621,507 S *	8/2010	Romero	.....	D13/154
D763,938 S *	8/2016	Muehlemann	.....	D24/187

(Continued)

*Primary Examiner* — Anhdao Doan

(74) *Attorney, Agent, or Firm* — Quarles & Brady LLP

(57) **CLAIM**

The ornamental design for a plasma array connector assembly, as shown and described.

FIG. 1 is an isometric view of a front, top, and left side of an ornamental design for a plasma connector assembly.

FIG. 2 is an isometric view of a rear, bottom, and left side of the connector assembly of FIG. 1.

FIG. 3 is a top view of the connector assembly of FIG. 1.

FIG. 4 is a bottom view of the connector assembly of FIG. 1.

FIG. 5 is a left side view of the connector assembly of FIG. 1.

FIG. 6 is a right side view of the connector assembly of FIG. 1.

FIG. 7 is a front side view of the connector assembly of FIG. 1.

FIG. 8 is a rear side view of the connector assembly of FIG. 1.

FIG. 9 is an isometric view of a front, top, and left side of the connector assembly of FIG. 1 in the connected configuration.

FIG. 10 is an isometric view of a rear, bottom, and left side of the connector assembly of FIG. 1 in the connected configuration.

FIG. 11 is a top view of the connector assembly of FIG. 1 in the connected configuration.

FIG. 12 is a bottom view of the connector assembly of FIG. 1 in the connected configuration.

FIG. 13 is a left side view of the connector assembly of FIG. 1 in the connected configuration.

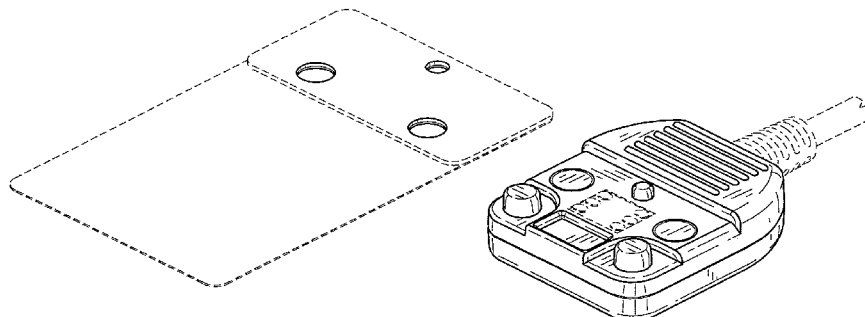
FIG. 14 is a right side view of the connector assembly of FIG. 1 in the connected configuration.

FIG. 15 is a front side view of the connector assembly of FIG. 1 in the connected configuration; and

FIG. 16 is a rear side view of the connector assembly of FIG. 1 in the connected configuration.

The dash-dash-dash lines are included for the purpose of illustrating portions that form no part of the claimed design.

**1 Claim, 9 Drawing Sheets**



(56)

**References Cited**

U.S. PATENT DOCUMENTS

9,572,241	B1 *	2/2017	Eckert .....	H05H 1/2406
D781,294	S *	3/2017	Schwalbach .....	D14/433
9,826,618	B2 *	11/2017	Eckert .....	H05H 1/2406
D807,512	S *	1/2018	Raisanen .....	D24/186

\* cited by examiner

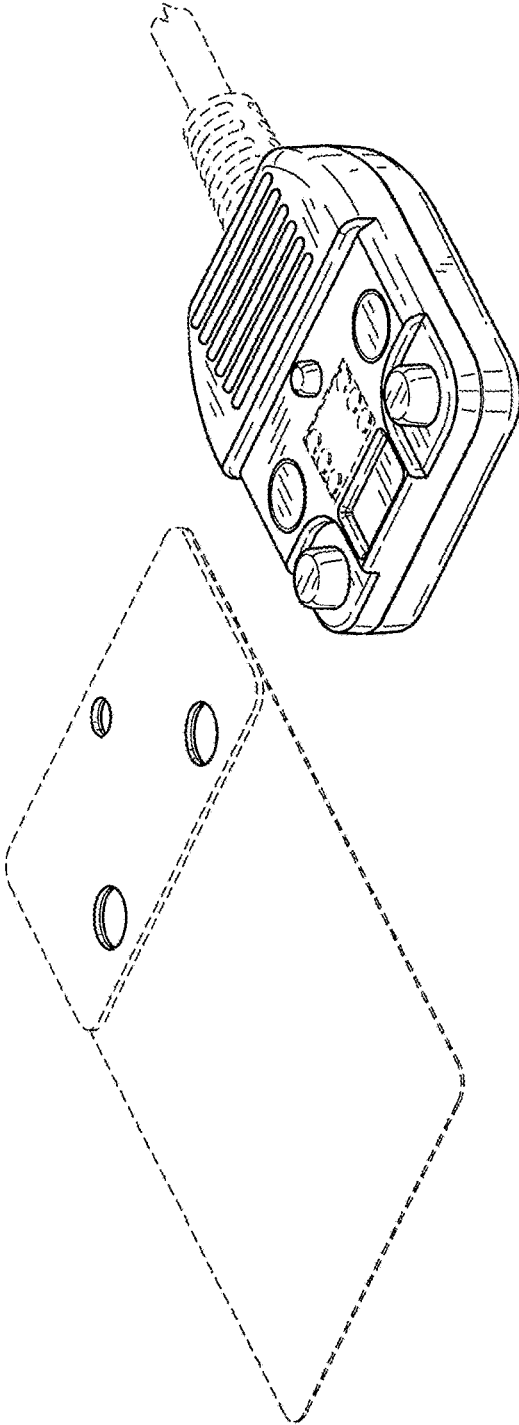


FIG. 1

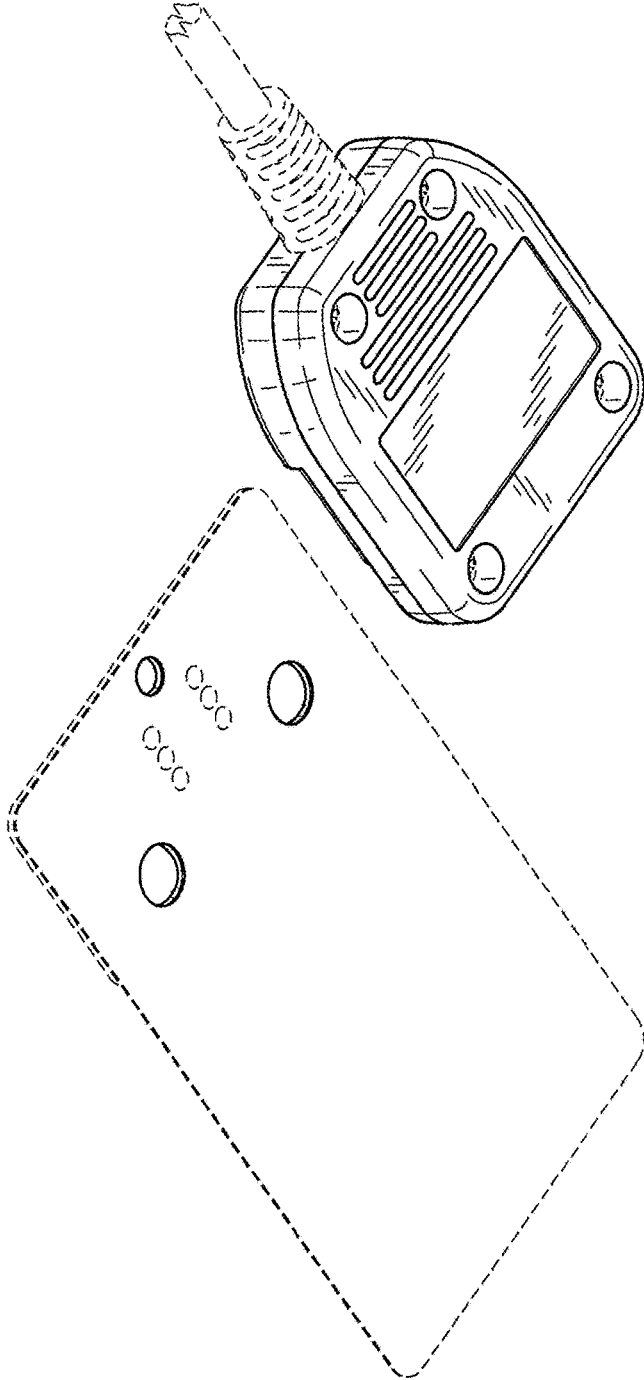


FIG. 2

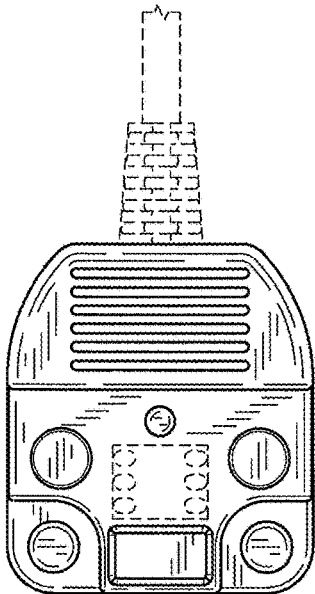


FIG. 3

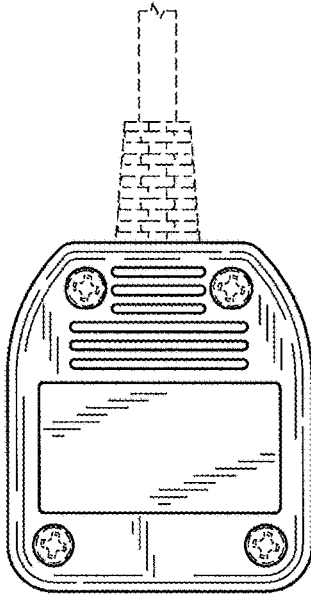
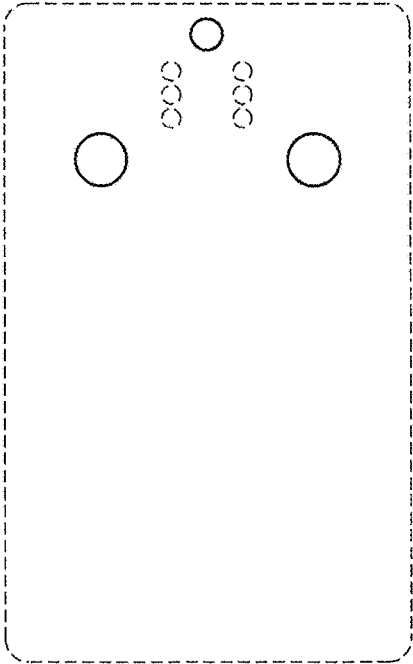
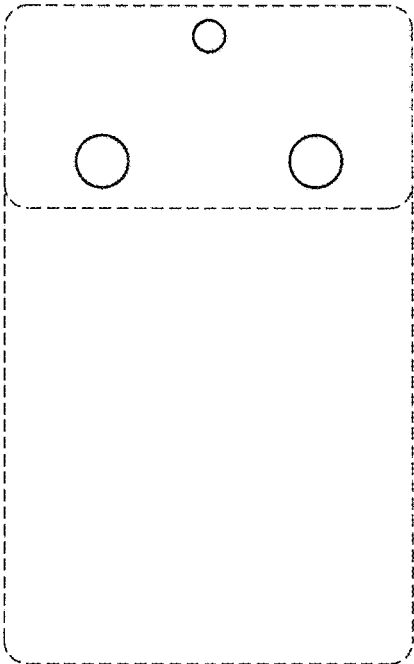


FIG. 4



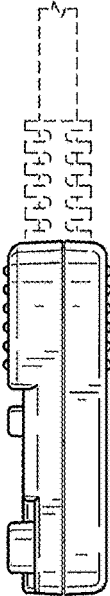


FIG. 5

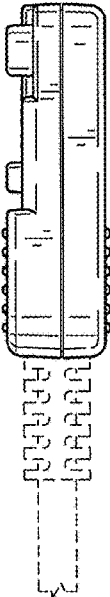


FIG. 6

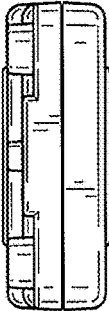
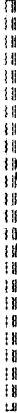


FIG. 7

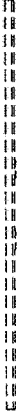
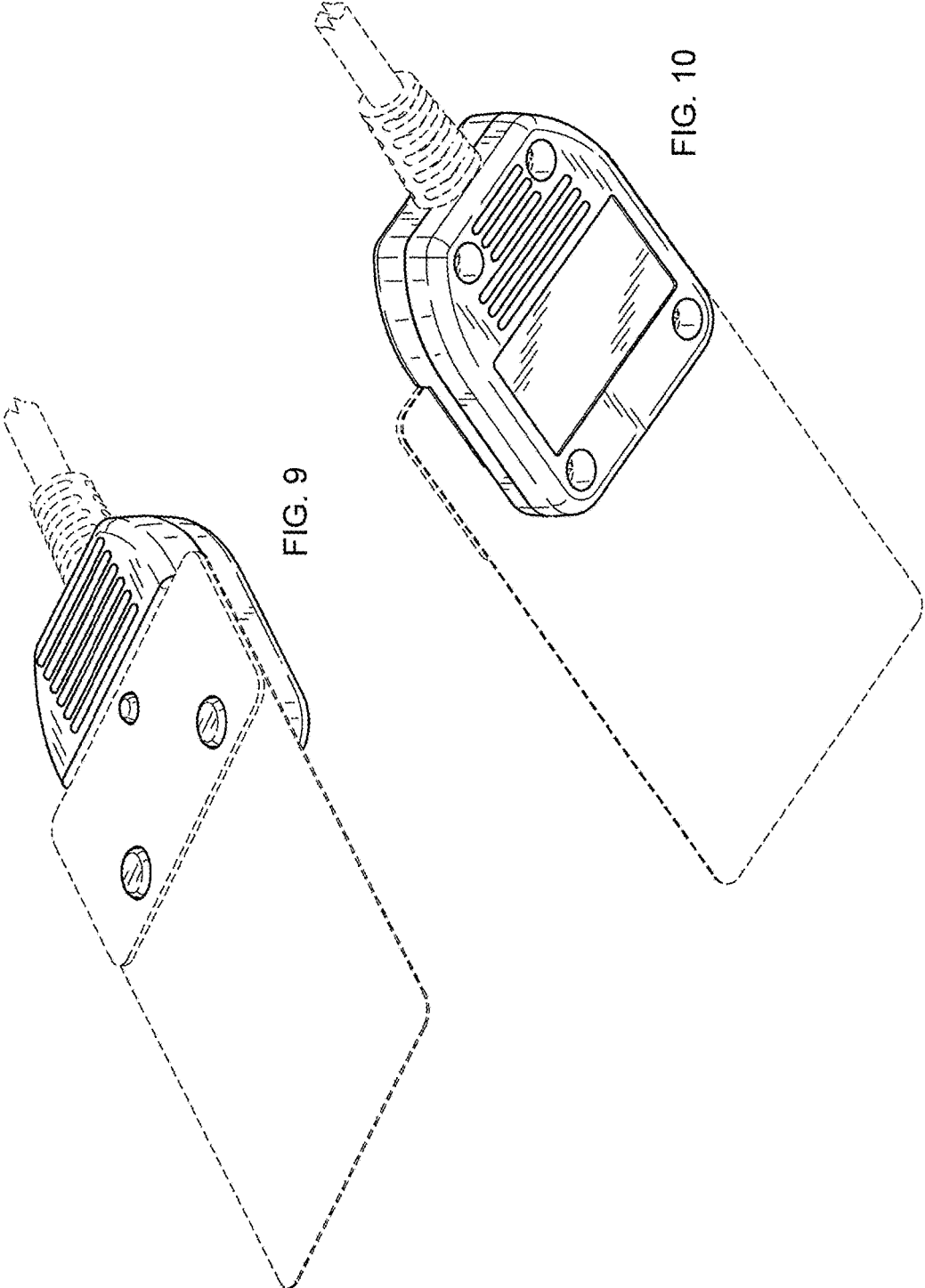


FIG. 8





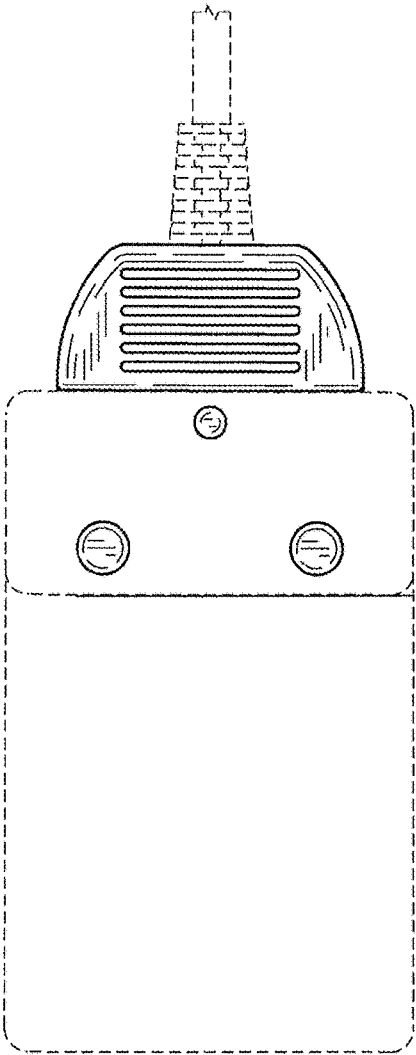


FIG. 11

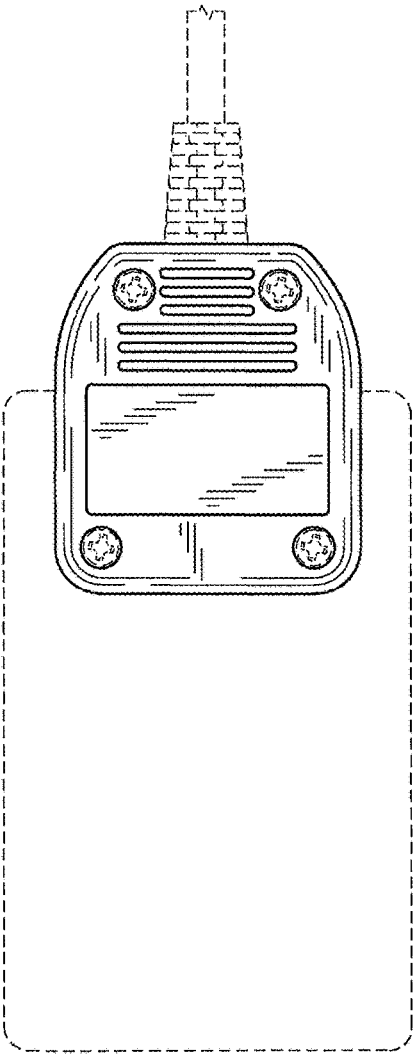


FIG. 12

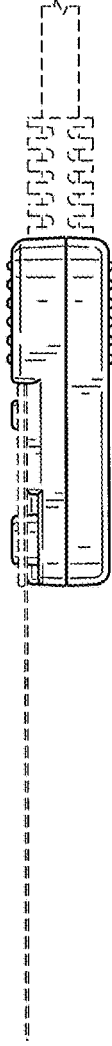


FIG. 13

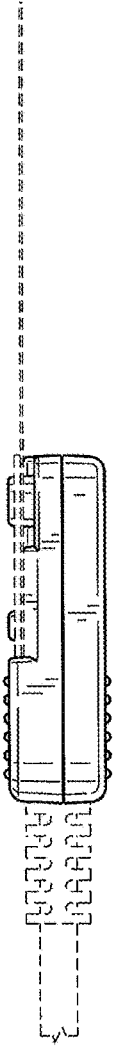


FIG. 14

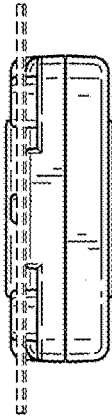


FIG. 15

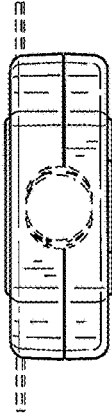


FIG. 16