



US00D977831S

(12) **United States Design Patent** (10) **Patent No.:** **US D977,831 S**  
**Zeng** (45) **Date of Patent:** **\*\* Feb. 14, 2023**

(54) **WALLET**

FOREIGN PATENT DOCUMENTS

(71) Applicant: **Zheng Zeng**, Xinhua (CN)

CN 307298082 \* 4/2022

CN 307298083 \* 4/2022

(72) Inventor: **Zheng Zeng**, Xinhua (CN)

CN 307445349 \* 7/2022

GB 6200544 \* 4/2022

(\*\*) Term: **15 Years**

GB 6203329 \* 4/2022

(Continued)

(21) Appl. No.: **29/823,320**

OTHER PUBLICATIONS

(22) Filed: **Jan. 17, 2022**

“Amazon.com: Wallet For Men—Slim Aluminum Metal Money Clip with 1 Clear window ID Badge Holder”, [Posted Online on amazon.com], [Posting Date Jun. 27, 2022], [Retrieved Online on Jul. 21, 2022], <https://www.amazon.com/Wallet-Men-Aluminum-Ultra-Thin-Minimalist/dp/B09LHIKCCS/> (Year: 2022).\*

(51) **LOC (14) Cl.** ..... **03-01**

(Continued)

(52) **U.S. Cl.**

USPC ..... **D3/247**

(58) **Field of Classification Search**

USPC ..... D3/201, 207–208, 215–218, 230, D3/247–250, 318; D11/78.1

CPC ..... A45C 1/04; A45C 1/06; A45C 11/182;

A45C 2001/062; A45C 2001/065; A45C

2001/067; A45C 2001/186; A45F 5/02

See application file for complete search history.

*Primary Examiner* — Mary Shannon Malley

*Assistant Examiner* — Christopher John Suarez La Rosa

(74) *Attorney, Agent, or Firm* — Rumit Ranjit Kanakia

(56) **References Cited**

(57) **CLAIM**

The ornamental design for a wallet, as shown and described.

U.S. PATENT DOCUMENTS

**DESCRIPTION**

D649,149 S \* 11/2011 Peng ..... D14/315

D719,350 S \* 12/2014 Daoura ..... D3/247

D775,824 S \* 1/2017 King ..... D3/247

D798,591 S \* 10/2017 King ..... D3/247

D806,386 S \* 1/2018 King ..... D3/247

D831,349 S \* 10/2018 Deng ..... D3/247

D853,714 S \* 7/2019 Feng ..... D3/218

D878,039 S 3/2020 Cantoli-Alves et al.

D889,122 S 7/2020 Fitzgerald

D901,875 S \* 11/2020 Yang ..... D3/207

D903,312 S 12/2020 Bauer et al.

D909,059 S \* 2/2021 Leh ..... D3/247

D934,560 S \* 11/2021 Tran ..... D3/247

11,284,689 B1 \* 3/2022 Duncan ..... A45C 1/06

D951,632 S \* 5/2022 Tran ..... D3/247

2017/0135452 A1 \* 5/2017 Kane ..... A45C 13/185

FIG. 1 is a first perspective view of a wallet showing my new design;

FIG. 2 is a second perspective view thereof;

FIG. 3 is a front view thereof;

FIG. 4 is a back view thereof;

FIG. 5 is a left side view thereof;

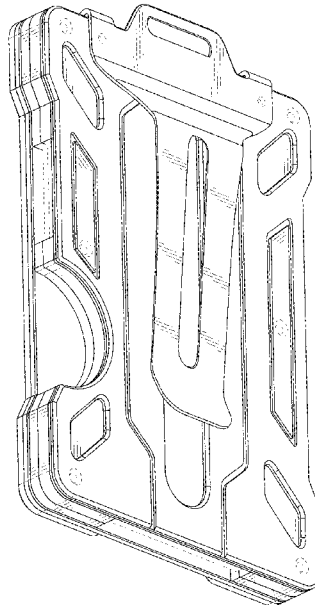
FIG. 6 is a right side view thereof;

FIG. 7 is a top view thereof; and,

FIG. 8 is a bottom view thereof.

The broken lines shown in the drawings depict portions of the wallet that form no part of the claimed design.

**1 Claim, 8 Drawing Sheets**



(56)

**References Cited**

FOREIGN PATENT DOCUMENTS

HK	2219606-0001	*	7/2022
HK	2219606-0002	*	7/2022

OTHER PUBLICATIONS

“Wayback Machine for NPL reference cited U”, [Posting Date Jun. 27, 2022], [Retrieved Online on Jul. 21, 2022], <https://web.archive.org/web/20220627064129/https://www.amazon.com/Wallet-Men-Aluminum-Ultra-Thin-Minimalist/dp/B09LH1KCCS/> (Year: 2022).\*  
“Biiglle Wallet For Men”, [Posted Online ubuy.co.id], [Reviewed Date Dec. 4, 2021], [Retrieved Online on Jul. 26, 2022], <https://www.ubuy.co.id/en/product/47YNWW448> (Year: 2021).\*

\* cited by examiner

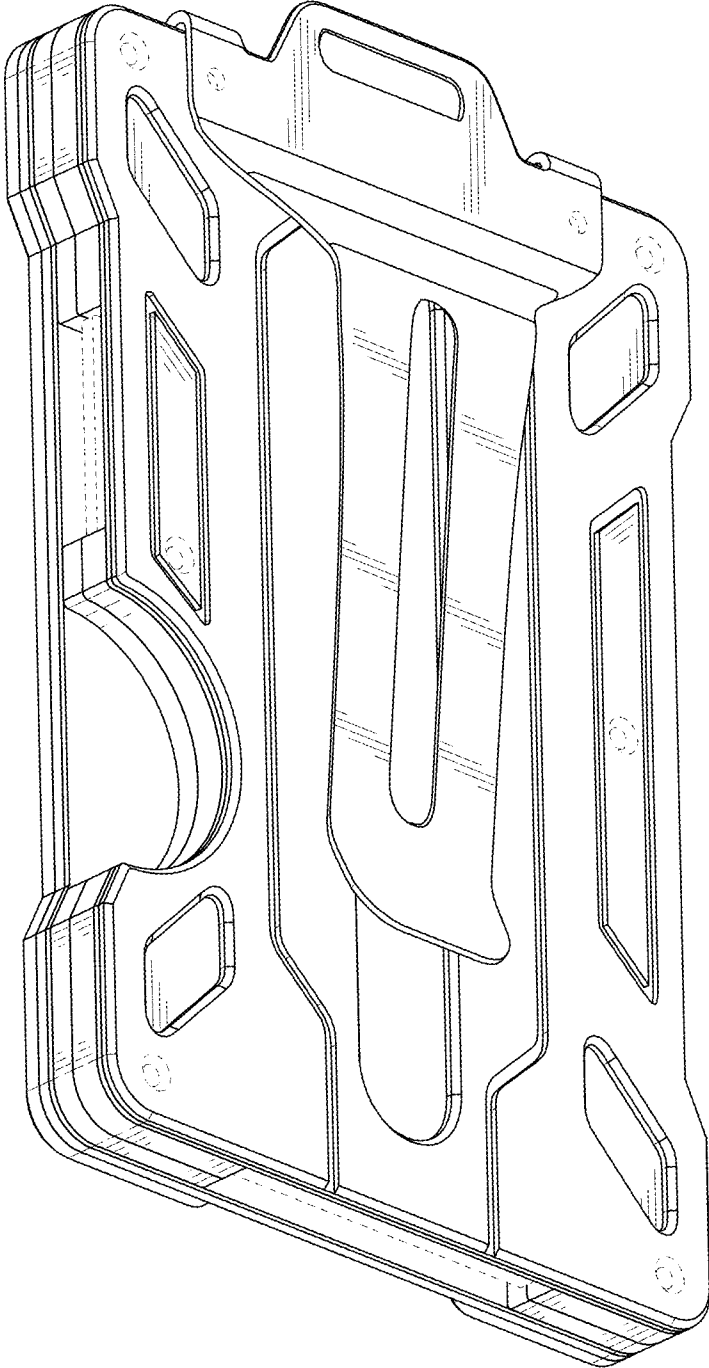


FIG. 1

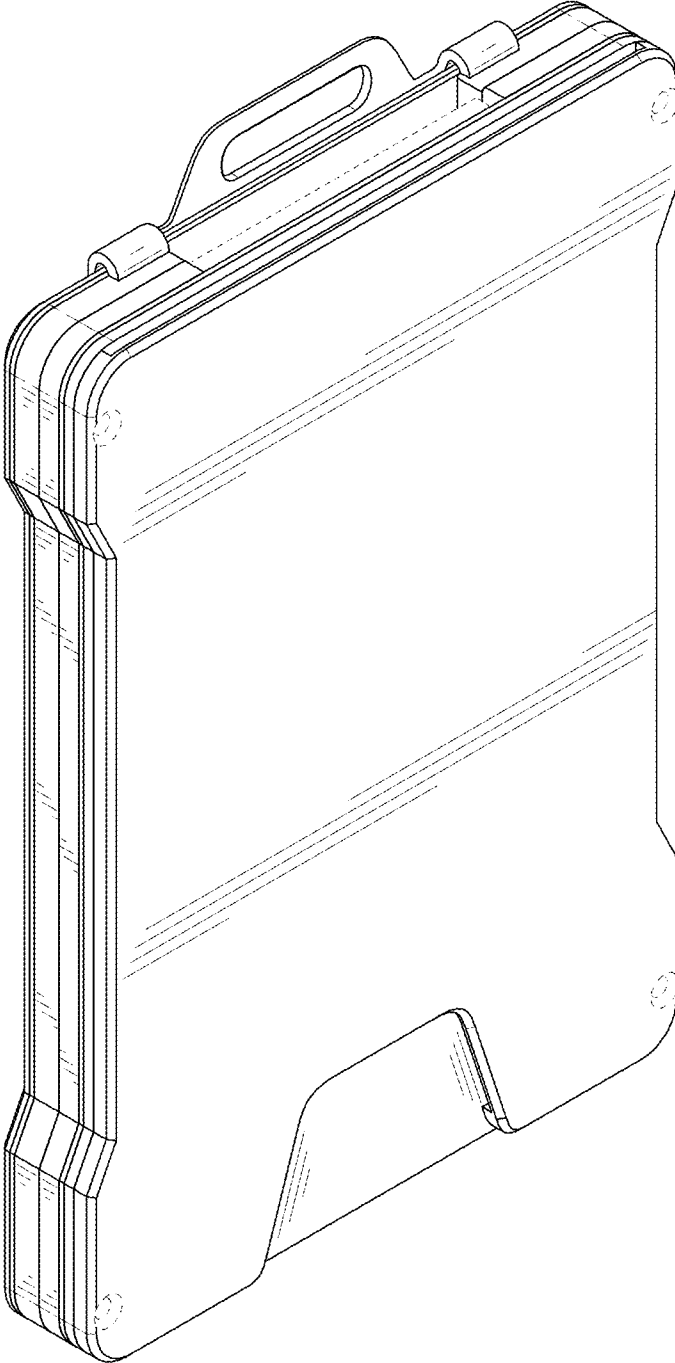


FIG. 2

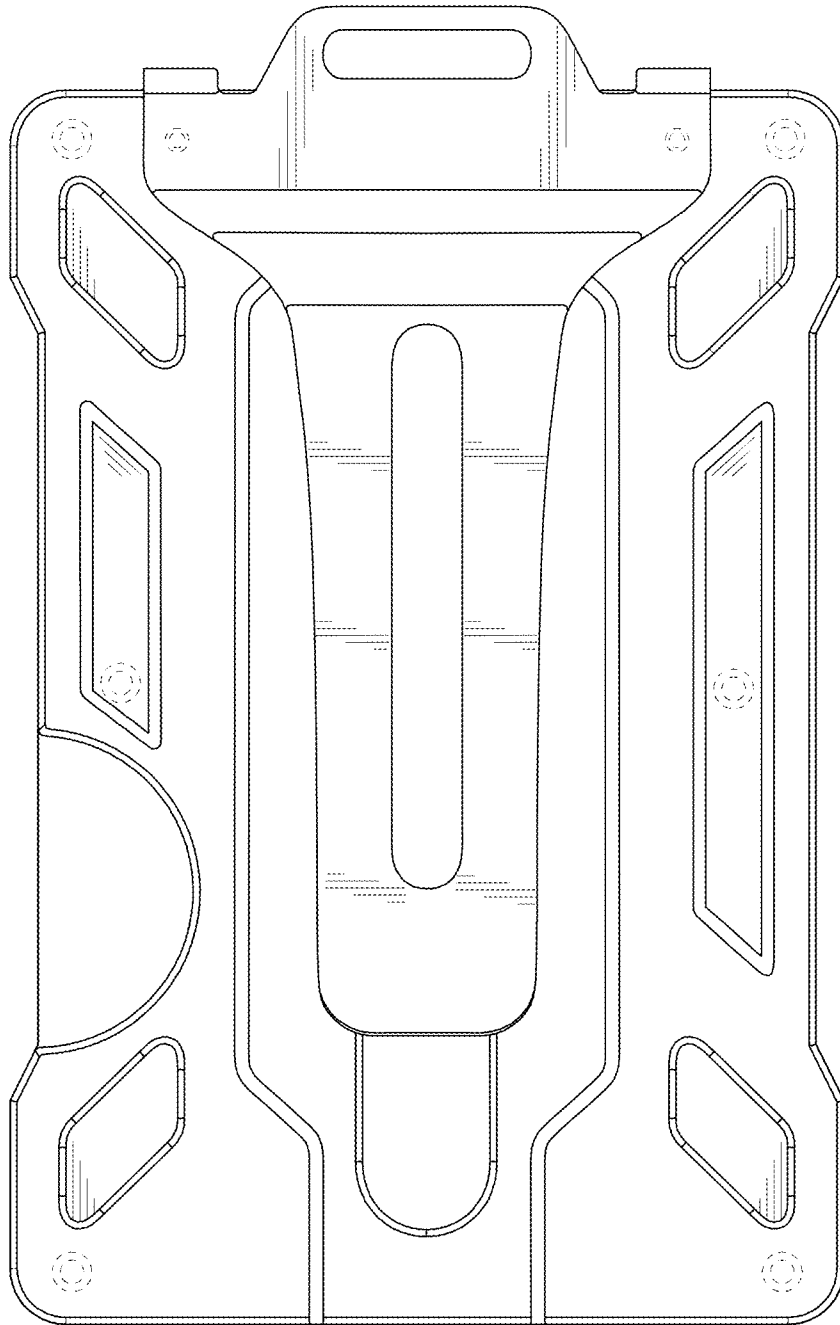


FIG. 3

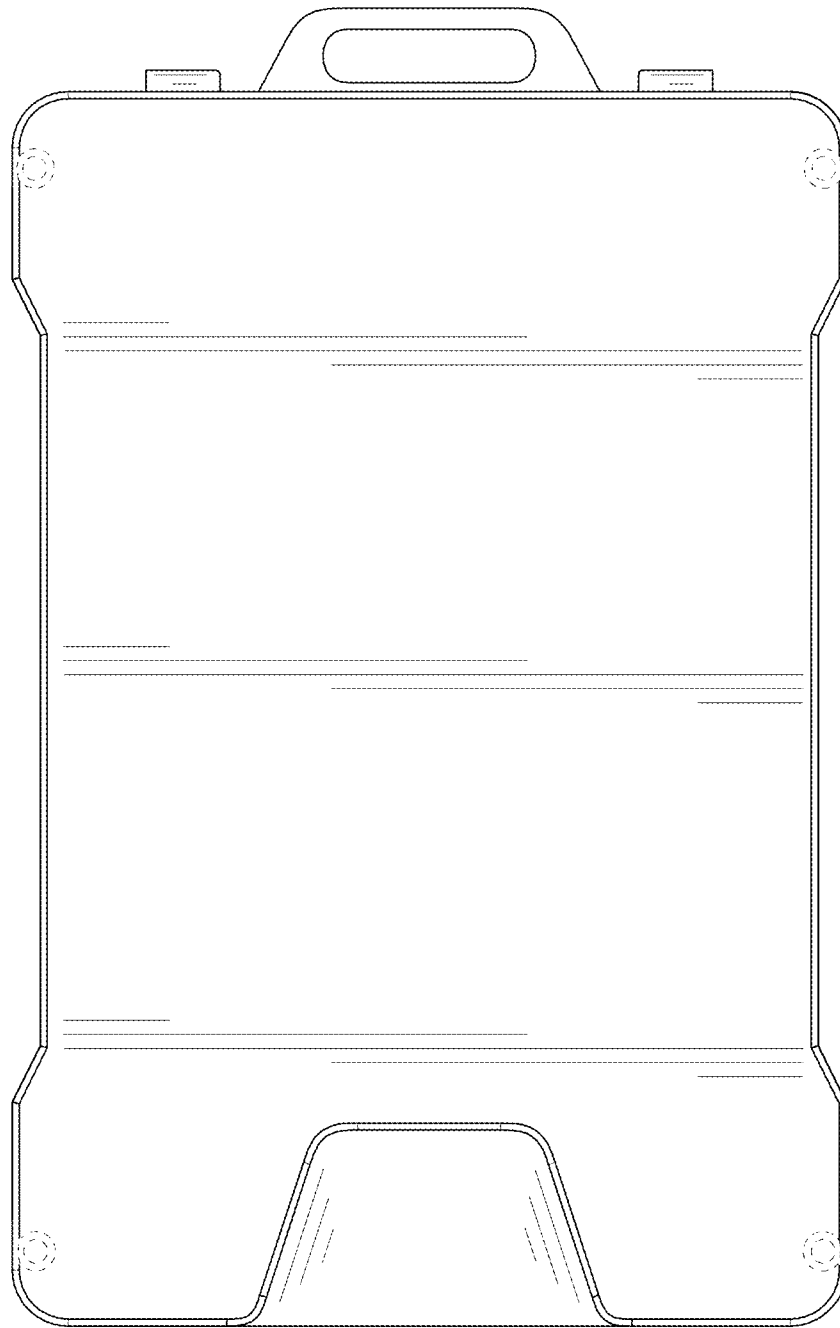


FIG. 4

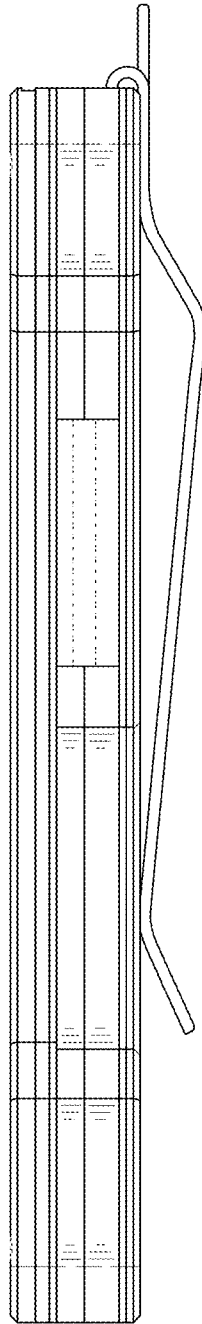


FIG. 5

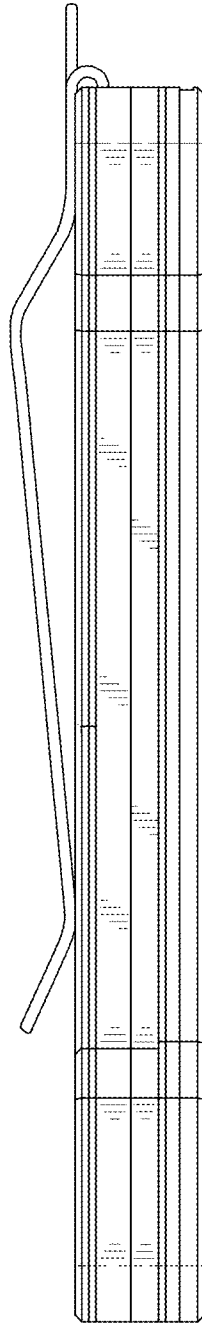


FIG. 6



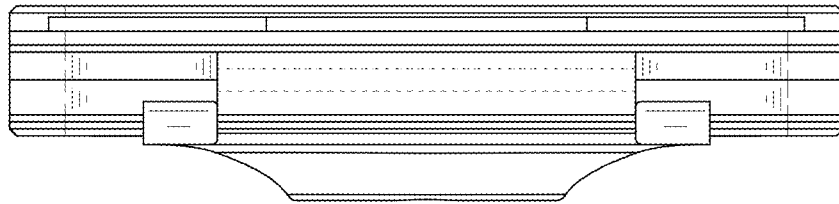


FIG. 7

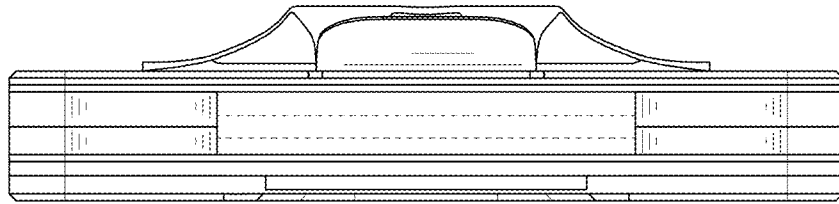


FIG. 8