

(19) World Intellectual Property Organization
International Bureau



(43) International Publication Date
3 June 2010 (03.06.2010)

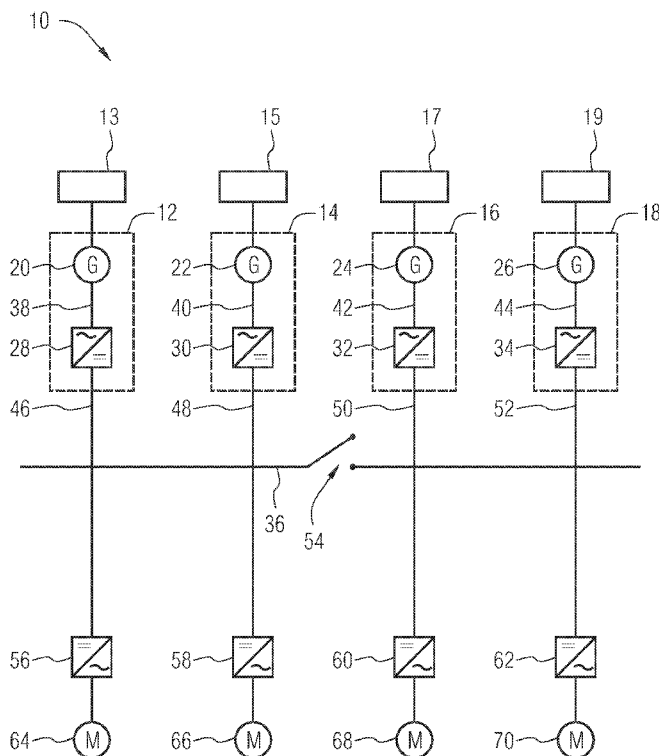
(10) International Publication Number
WO 2010/060777 A3

- (51) International Patent Classification:
H02P 5/46 (2006.01) H02P 9/30 (2006.01)
H02P 9/10 (2006.01) B63H 21/17 (2006.01)
- (21) International Application Number:
PCT/EP2009/064805
- (22) International Filing Date:
9 November 2009 (09.11.2009)
- (25) Filing Language: English
- (26) Publication Language: English
- (30) Priority Data:
08020580.0 26 November 2008 (26.11.2008) EP
- (71) Applicant (for all designated States except US):
SIEMENS AKTIENGESELLSCHAFT [DE/DE]; Witel-
sbacherplatz 2, 80333 München (DE).
- (72) Inventor; and
- (75) Inventor/Applicant (for US only): BØ, Ove [NO/NO];
Granheimv. 5, N-7549 Tanem (NO).
- (74) Common Representative: SIEMENS AKTIENGE-
SELLSCHAFT; Postfach 22 16 34, 80506 München
(DE).
- (81) Designated States (unless otherwise indicated, for every
kind of national protection available): AE, AG, AL, AM,
AO, AT, AU, AZ, BA, BB, BG, BH, BR, BW, BY, BZ,
CA, CH, CL, CN, CO, CR, CU, CZ, DE, DK, DM, DO,
DZ, EC, EE, EG, ES, FI, GB, GD, GE, GH, GM, GT,
HN, HR, HU, ID, IL, IN, IS, JP, KE, KG, KM, KN, KP,
KR, KZ, LA, LC, LK, LR, LS, LT, LU, LY, MA, MD,
ME, MG, MK, MN, MW, MX, MY, MZ, NA, NG, NI,
NO, NZ, OM, PE, PG, PH, PL, PT, RO, RS, RU, SC, SD,
SE, SG, SK, SL, SM, ST, SV, SY, TJ, TM, TN, TR, TT,
TZ, UA, UG, US, UZ, VC, VN, ZA, ZM, ZW.
- (84) Designated States (unless otherwise indicated, for every
kind of regional protection available): ARIPO (BW, GH,
GM, KE, LS, MW, MZ, NA, SD, SL, SZ, TZ, UG, ZM,
ZW), Eurasian (AM, AZ, BY, KG, KZ, MD, RU, TJ,
TM), European (AT, BE, BG, CH, CY, CZ, DE, DK, EE,
ES, FI, FR, GB, GR, HR, HU, IE, IS, IT, LT, LU, LV,

[Continued on next page]

(54) Title: POWER DISTRIBUTION SYSTEM AND METHOD THEREOF

FIG 1



(57) Abstract: The present invention deals with a system (10) and method for power distribution. The proposed system (10) comprises a plurality of generator systems (12, 14, 16, 18), each generator system (12, 14, 16, 18) comprising an alternating current generator (20, 22, 24, 26) directly connected to a rectifier (28, 30, 32, 34). The alternating current generator (20, 22, 24, 26) is rotationally coupled to a prime mover (13, 15, 17, 19), wherein, upon operation of said prime mover (13, 15, 17, 19), said alternating current generator (20, 22, 24, 26) produces an alternating current output (38, 40, 42, 44), is de-synchronized to further ones of the plurality of generator systems (12, 14, 16, 18) and has a variable generator speed. The rectifier (28, 30, 32, 34) directly connected the alternating current generator (20, 22, 24, 26) is adapted to convert said alternating current output (38, 40, 42, 44) of said alternating current generator (20, 22, 24, 26) into a direct current output (46, 48, 50, 52). A direct current distribution bus (36) is coupled to the direct current outputs (46, 48, 50, 52) from each of the rectifiers (28, 30, 32, 34). The system (10) further comprises a plurality of inverters (56, 58, 60, 62) adapted to receive power from said direct current distribution bus (36), the output of each inverter (56, 58, 60, 62) being adapted to drive an alternating current motor (64, 66, 68, 70).

WO 2010/060777 A3



MC, MK, MT, NL, NO, PL, PT, RO, SE, SI, SK, SM,
TR), OAPI (BF, BJ, CF, CG, CI, CM, GA, GN, GQ, GW,
ML, MR, NE, SN, TD, TG).

— before the expiration of the time limit for amending the
claims and to be republished in the event of receipt of
amendments (Rule 48.2(h))

Published:

— with international search report (Art. 21(3))

(88) Date of publication of the international search report:
5 August 2010

INTERNATIONAL SEARCH REPORT

International application No
PCT/EP2009/064805

A. CLASSIFICATION OF SUBJECT MATTER

INV. H02P5/46 H02P9/10 H02P9/30 B63H21/17
ADD.

According to International Patent Classification (IPC) or to both national classification and IPC

B. FIELDS SEARCHED

Minimum documentation searched (classification system followed by classification symbols)
H02P B63H

Documentation searched other than minimum documentation to the extent that such documents are included in the fields searched

Electronic data base consulted during the international search (name of data base and, where practical, search terms used)

EPO-Internal

C. DOCUMENTS CONSIDERED TO BE RELEVANT

Category*	Citation of document, with indication, where appropriate, of the relevant passages	Relevant to claim No.
X	JP 11 266532 A (TOKYO SHIBAURA ELECTRIC CO) 28 September 1999 (1999-09-28)	1,9
Y	* abstract; figures 1,2 figures 1-6	2-8, 10-12
Y	GB 2 444 840 A (GEN ELECTRIC [US]) 18 June 2008 (2008-06-18) figures 1-12	1-12
Y	US 5 646 510 A (KUMAR AJITH KUTTANNAIR [US]) 8 July 1997 (1997-07-08) figure 1	1-12
Y	JP 2008 148376 A (TOSHIBA MITSUBISHI ELEC INC) 26 June 2008 (2008-06-26) * abstract; figures 1-3	1-12

Further documents are listed in the continuation of Box C.

See patent family annex.

* Special categories of cited documents :

- *A* document defining the general state of the art which is not considered to be of particular relevance
- *E* earlier document but published on or after the international filing date
- *L* document which may throw doubts on priority claim(s) or which is cited to establish the publication date of another citation or other special reason (as specified)
- *O* document referring to an oral disclosure, use, exhibition or other means
- *P* document published prior to the international filing date but later than the priority date claimed

- *T* later document published after the international filing date or priority date and not in conflict with the application but cited to understand the principle or theory underlying the invention
- *X* document of particular relevance; the claimed invention cannot be considered novel or cannot be considered to involve an inventive step when the document is taken alone
- *Y* document of particular relevance; the claimed invention cannot be considered to involve an inventive step when the document is combined with one or more other such documents, such combination being obvious to a person skilled in the art.
- * & * document member of the same patent family

Date of the actual completion of the international search

11 June 2010

Date of mailing of the international search report

21/06/2010

Name and mailing address of the ISA/

European Patent Office, P.B. 5818 Patentlaan 2
NL - 2280 HV Rijswijk
Tel. (+31-70) 340-2040,
Fax: (+31-70) 340-3016

Authorized officer

Kanelis, Konstantin

INTERNATIONAL SEARCH REPORT

Information on patent family members

International application No

PCT/EP2009/064805

Patent document cited in search report		Publication date	Patent family member(s)	Publication date
JP 11266532	A	28-09-1999	JP 4124855 B2	23-07-2008
GB 2444840	A	18-06-2008	CA 2612823 A1	15-06-2008
			DE 102007060928 A1	19-06-2008
			JP 2008154450 A	03-07-2008
			US 2008143182 A1	19-06-2008
US 5646510	A	08-07-1997	NONE	
JP 2008148376	A	26-06-2008	NONE	