



US00D925706S

(12) **United States Design Patent**
Liu

(10) **Patent No.:** **US D925,706 S**

(45) **Date of Patent:** **** Jul. 20, 2021**

(54) **FAUCET BODY**

(71) Applicant: **Qiwen Liu**, Hunan (CN)

(72) Inventor: **Qiwen Liu**, Hunan (CN)

(73) Assignee: **SHENZHEN MINGSHENG KITCHEN EQUIPMENT CO., LTD.**, Shenzhen (CN)

(**) Term: **15 Years**

(21) Appl. No.: **29/771,026**

(22) Filed: **Feb. 19, 2021**

(51) **LOC (13) Cl.** **23-01**

(52) **U.S. Cl.**
USPC **D23/241**

(58) **Field of Classification Search**
USPC D23/241–243, 249
CPC F16K 19/006
See application file for complete search history.

(56) **References Cited**

U.S. PATENT DOCUMENTS

4,672,994	A *	6/1987	Ko	E03C 1/042 137/359
4,700,736	A *	10/1987	Sheen	F16K 5/0414 137/315.13
4,718,128	A *	1/1988	Fan	E03C 1/04 137/597
5,427,148	A *	6/1995	Fan	F16K 11/065 137/597
D531,270	S *	10/2006	Smith	D23/241
D579,082	S	10/2008	Yuan		
D581,498	S	11/2008	Dolan		

D654,570	S	2/2012	Yu		
D712,521	S	9/2014	Smith et al.		
D714,913	S	10/2014	Smith et al.		
D791,282	S	7/2017	Bahler		
D811,556	S	2/2018	Garland		
D877,861	S	3/2020	Garland		
D896,925	S *	9/2020	Liu	D23/241
10,876,640	B2 *	12/2020	Wang	F16K 19/006
2011/0214766	A1 *	9/2011	Hsieh	E03C 1/02 137/625
2020/0200283	A1 *	6/2020	Fujii	F16K 19/006

* cited by examiner

Primary Examiner — Robert A Delehanty

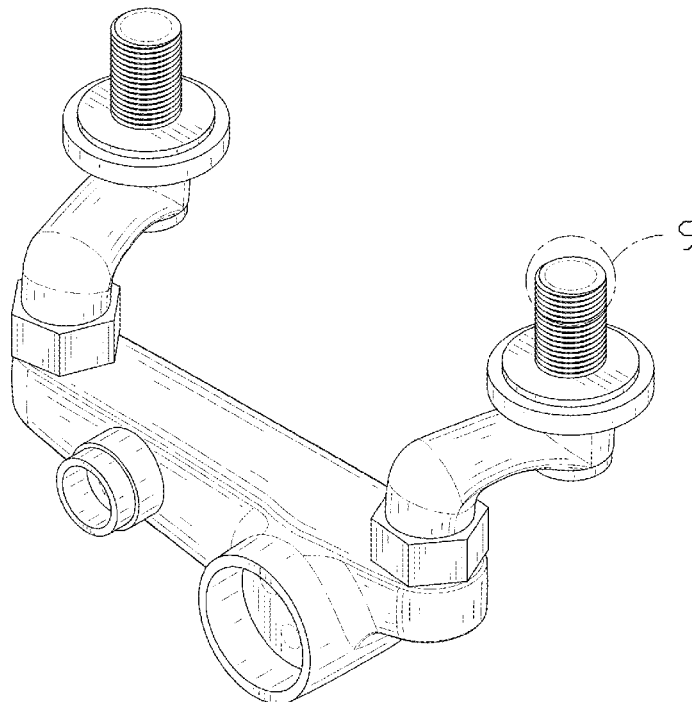
(57) **CLAIM**

The ornamental design for a faucet body, as shown and described.

DESCRIPTION

FIG. 1 is a perspective view of a faucet body showing my new design;
FIG. 2 is another perspective view thereof;
FIG. 3 is a front elevational view thereof;
FIG. 4 is a rear elevational view thereof;
FIG. 5 is a top plan view thereof;
FIG. 6 is a bottom plan view thereof;
FIG. 7 is a left side elevational view thereof;
FIG. 8 is a right side elevational view thereof; and,
FIG. 9 is an enlarged perspective view thereof.
The broken lines throughout the drawing figures depict portions of the faucet body that form no part of the claimed design.

1 Claim, 9 Drawing Sheets



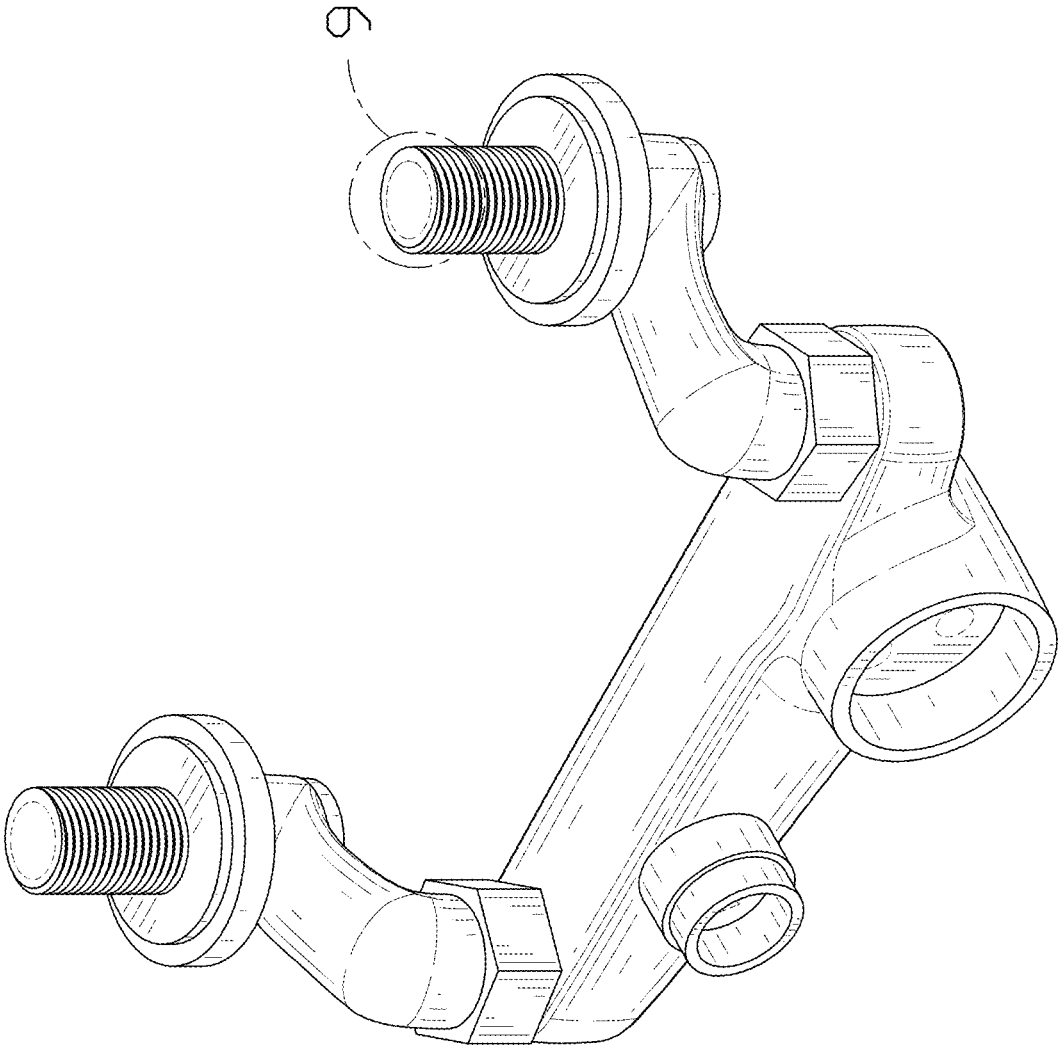


FIG. 1

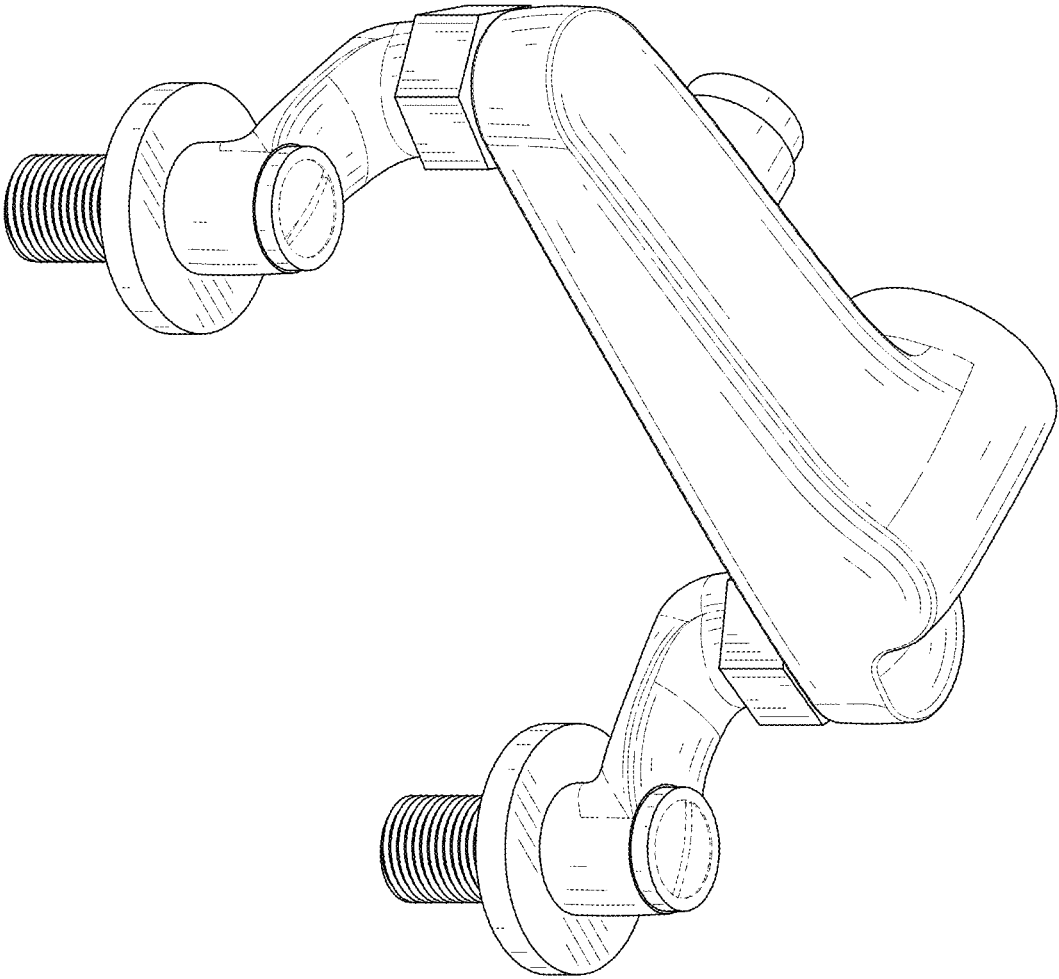


FIG. 2

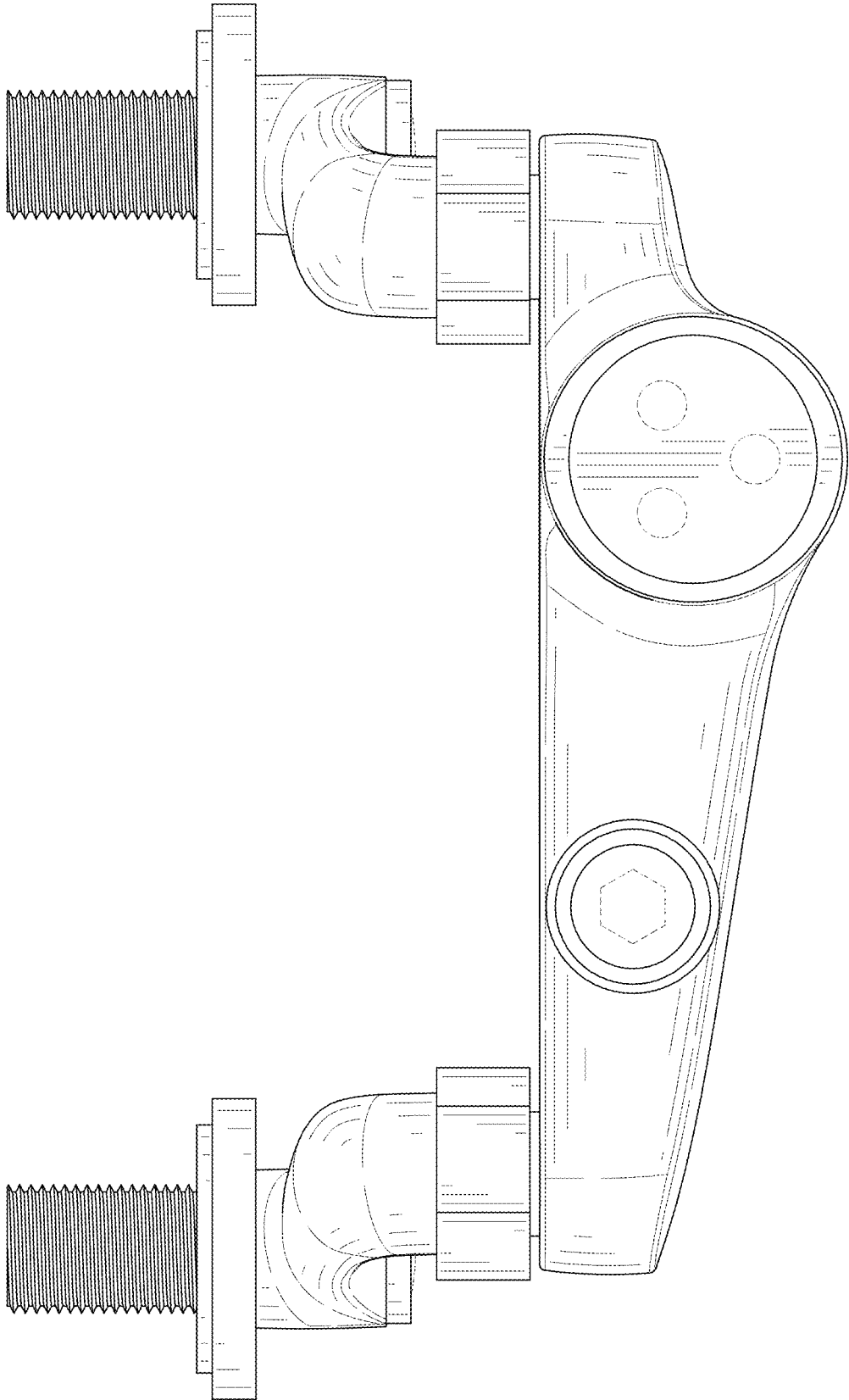


FIG. 3

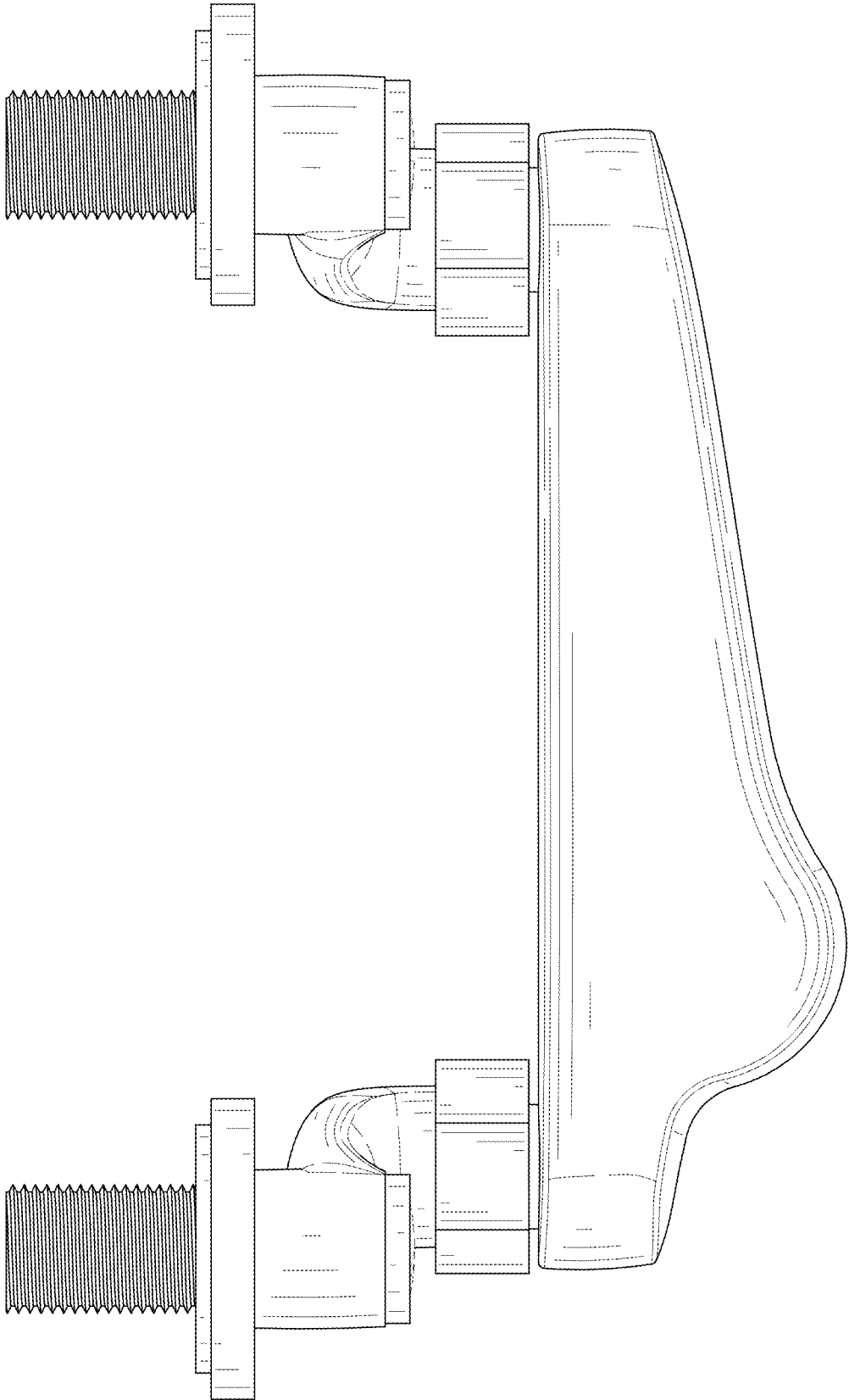


FIG. 4

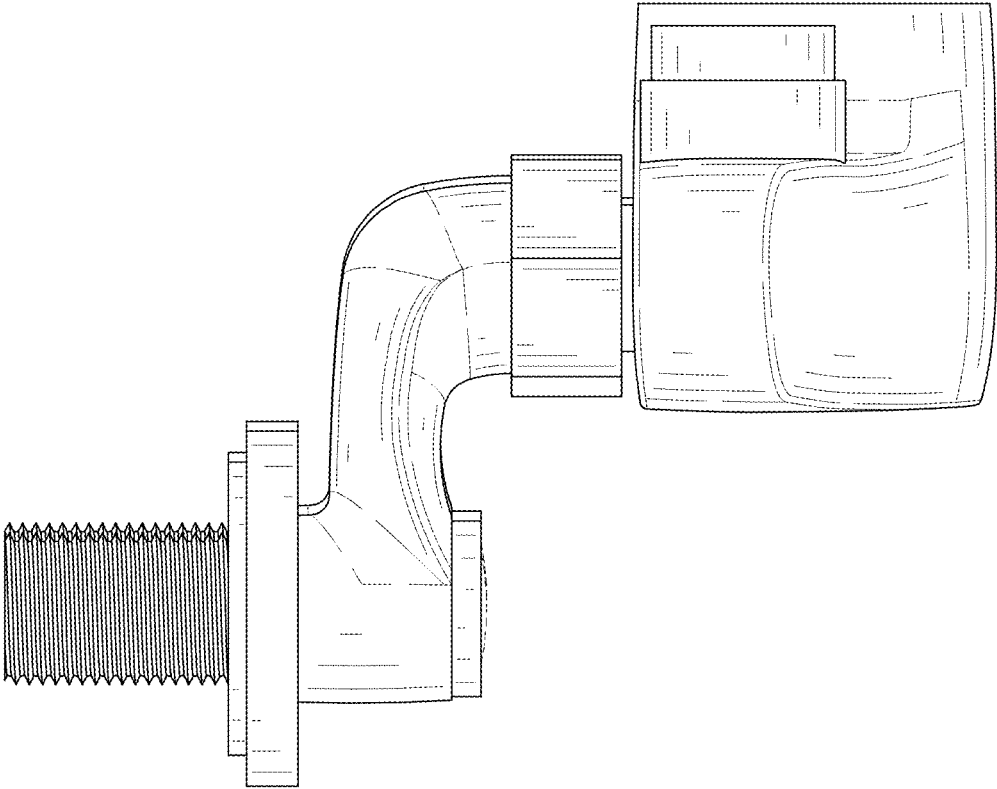


FIG. 5

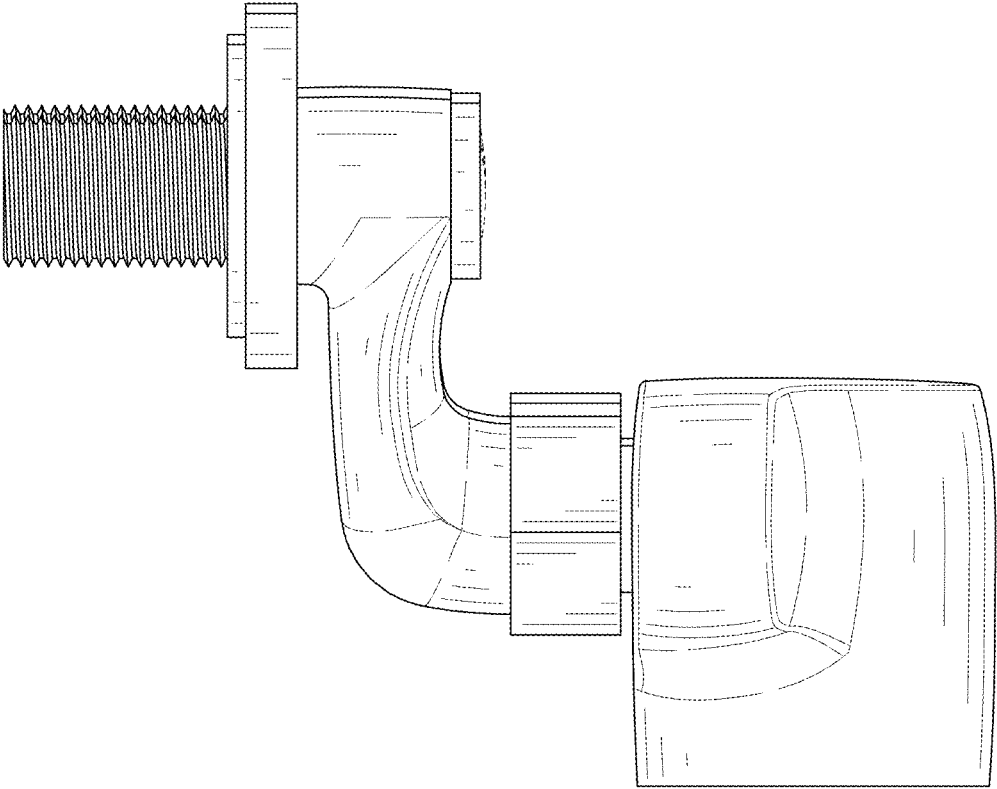


FIG. 6

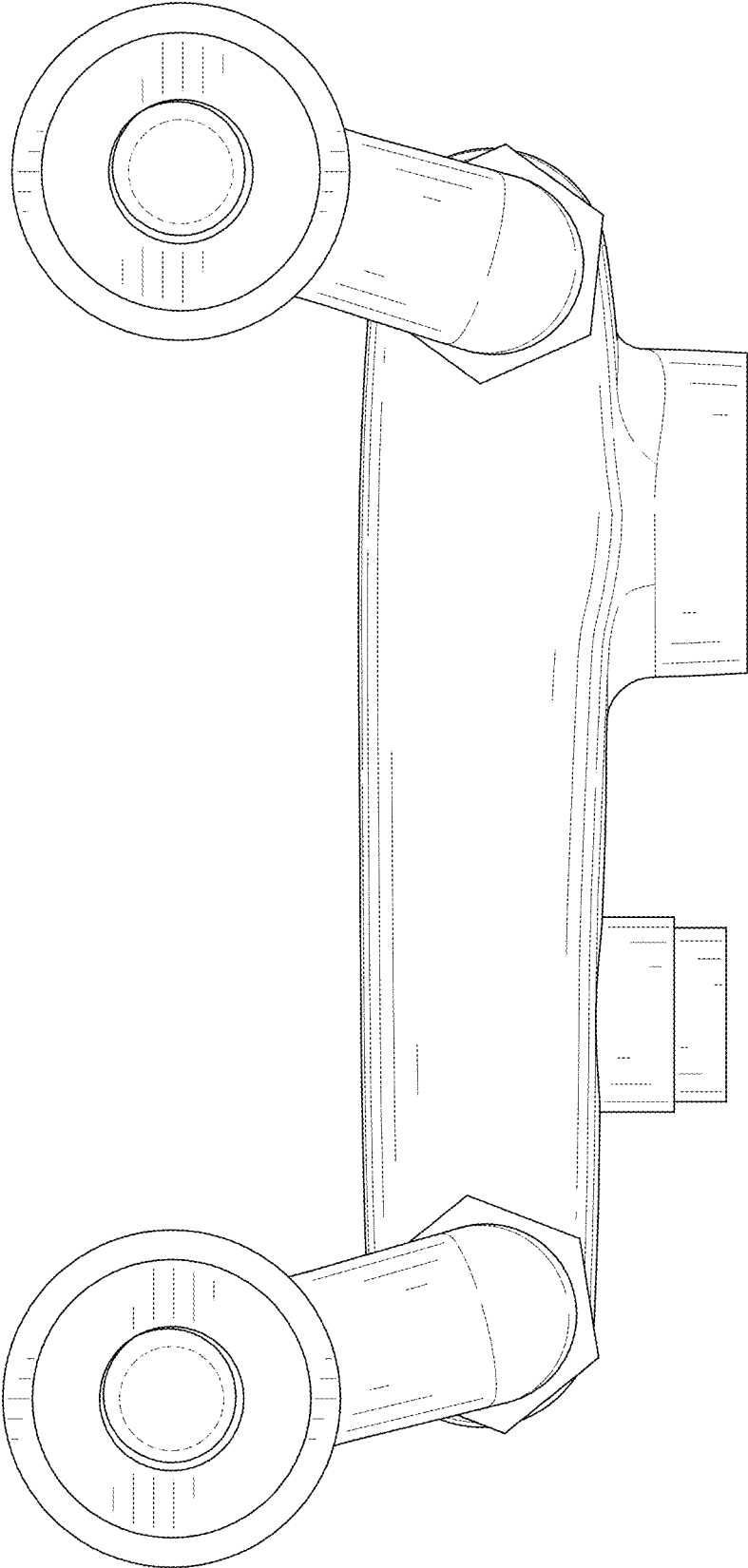


FIG. 7

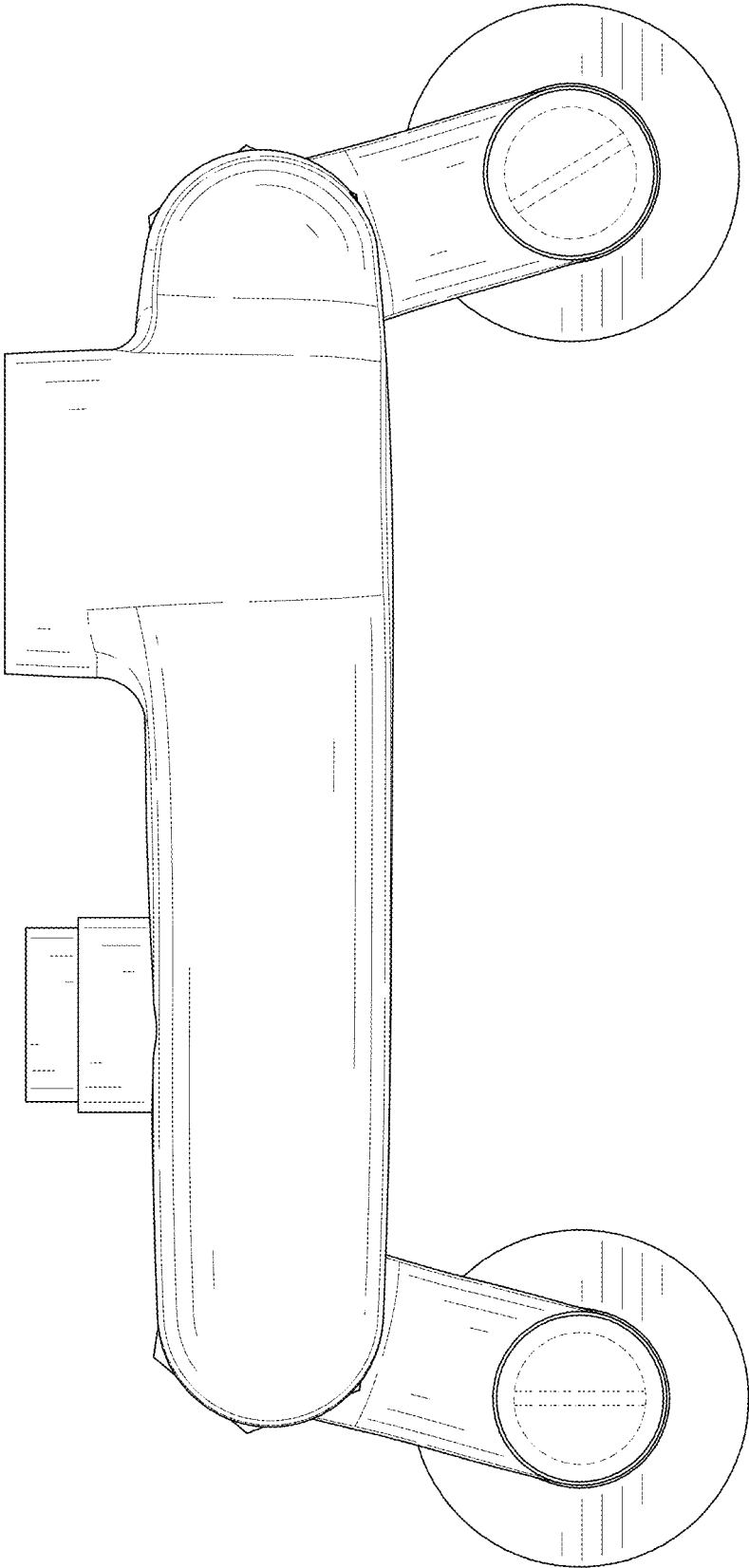


FIG. 8

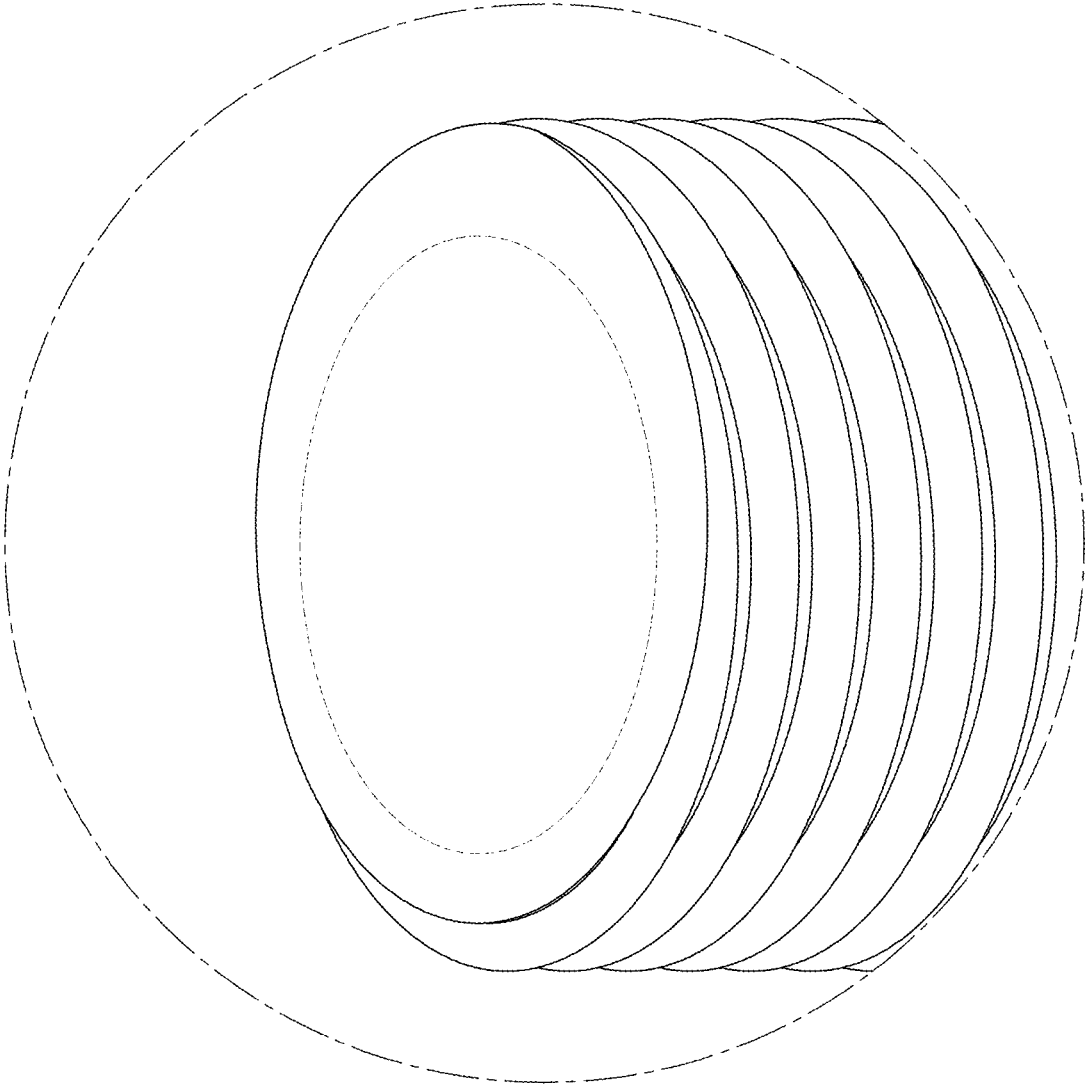


FIG. 9