



US00D703966S

(12) **United States Design Patent**
Wu

(10) **Patent No.:** **US D703,966 S**

(45) **Date of Patent:** **** May 6, 2014**

(54) **CHAIR FRAME**

(71) Applicant: **Yao-Chuan Wu**, Chiayi Hsien (TW)

(72) Inventor: **Yao-Chuan Wu**, Chiayi Hsien (TW)

(**) Term: **14 Years**

(21) Appl. No.: **29/457,778**

(22) Filed: **Jun. 13, 2013**

(51) **LOC (10) Cl.** **06-01**

(52) **U.S. Cl.**
USPC **D6/366**

(58) **Field of Classification Search**

USPC D6/334-336, 364, 365, 366, 367, 374,
D6/376, 379, 380, 716, 716.1, 716.2,
D6/716.3, 716.4; 297/284.4, 411.28,
297/452.13, 452.18, 452.21, 452.29, 452.3,
297/452.56, 452.64

See application file for complete search history.

(56) **References Cited**

U.S. PATENT DOCUMENTS

D445,580 S * 7/2001 Pennington et al. D6/366
D579,695 S * 11/2008 Wu D6/716

D587,916 S * 3/2009 Bouroullec et al. D6/366
D647,314 S * 10/2011 Lu D6/366
D647,716 S * 11/2011 Lu D6/366
D650,617 S * 12/2011 Chen D6/716
D683,552 S * 6/2013 Wu D6/366

* cited by examiner

Primary Examiner — Mimoso De

(74) *Attorney, Agent, or Firm* — Alan Kamrath; Kamrath IP Lawfirm, P.A.

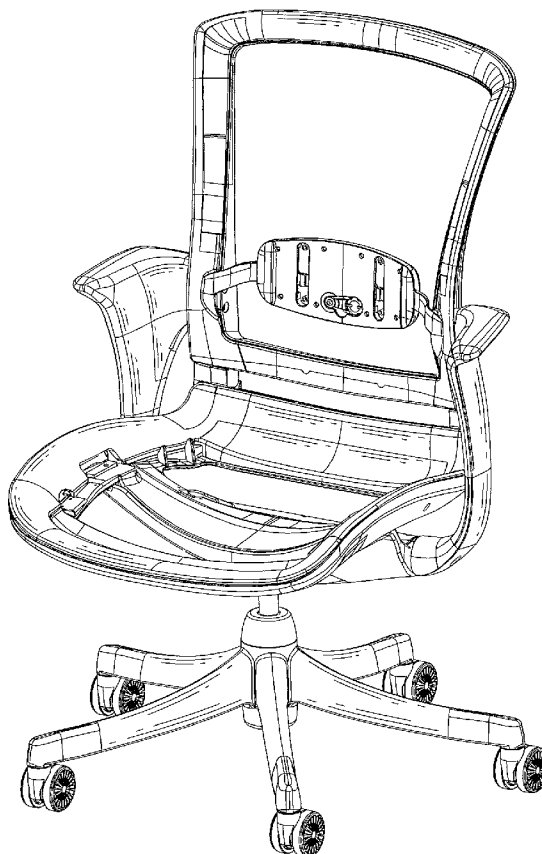
(57) **CLAIM**

The ornamental design for a chair frame, as shown and described.

DESCRIPTION

FIG. 1 is a perspective view of a chair frame showing my design;
FIG. 2 is a front elevational view thereof;
FIG. 3 is a rear elevational view thereof;
FIG. 4 is a left side elevational view thereof;
FIG. 5 is a right side elevational view thereof;
FIG. 6 is a top plan view thereof; and,
FIG. 7 is a bottom plan view thereof.

1 Claim, 7 Drawing Sheets



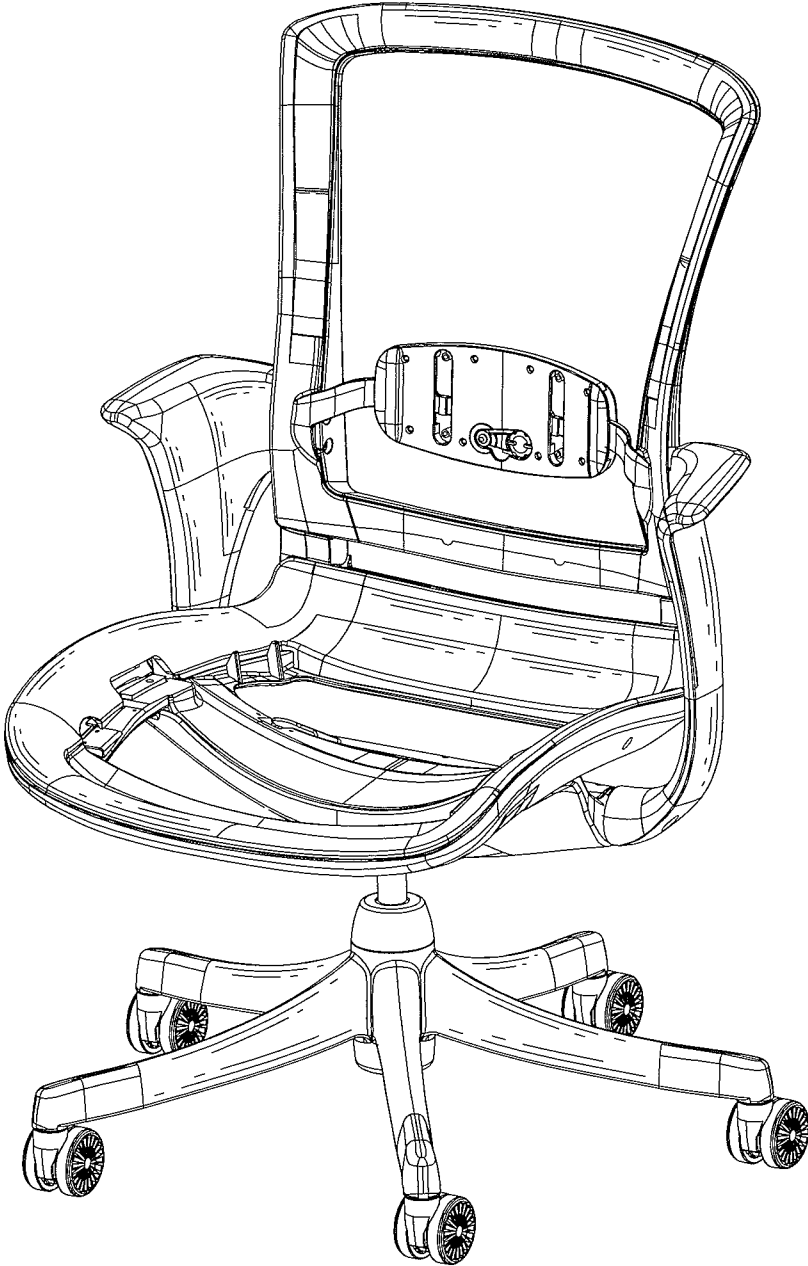


FIG. 1

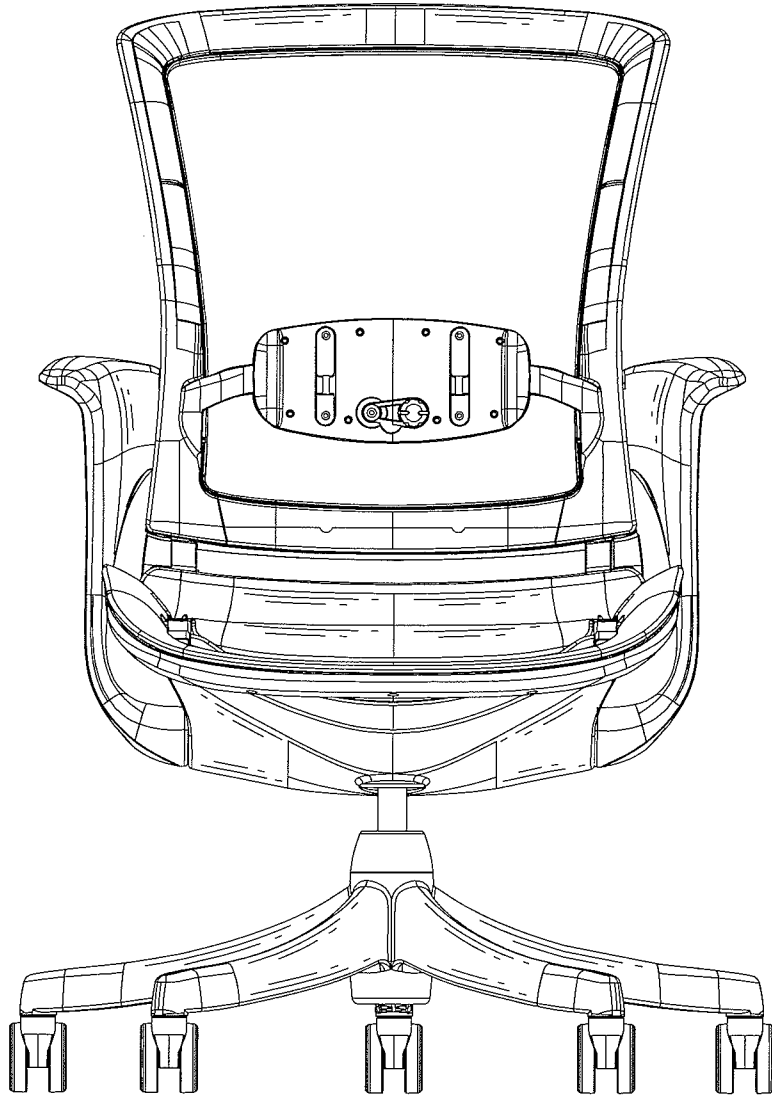


FIG. 2

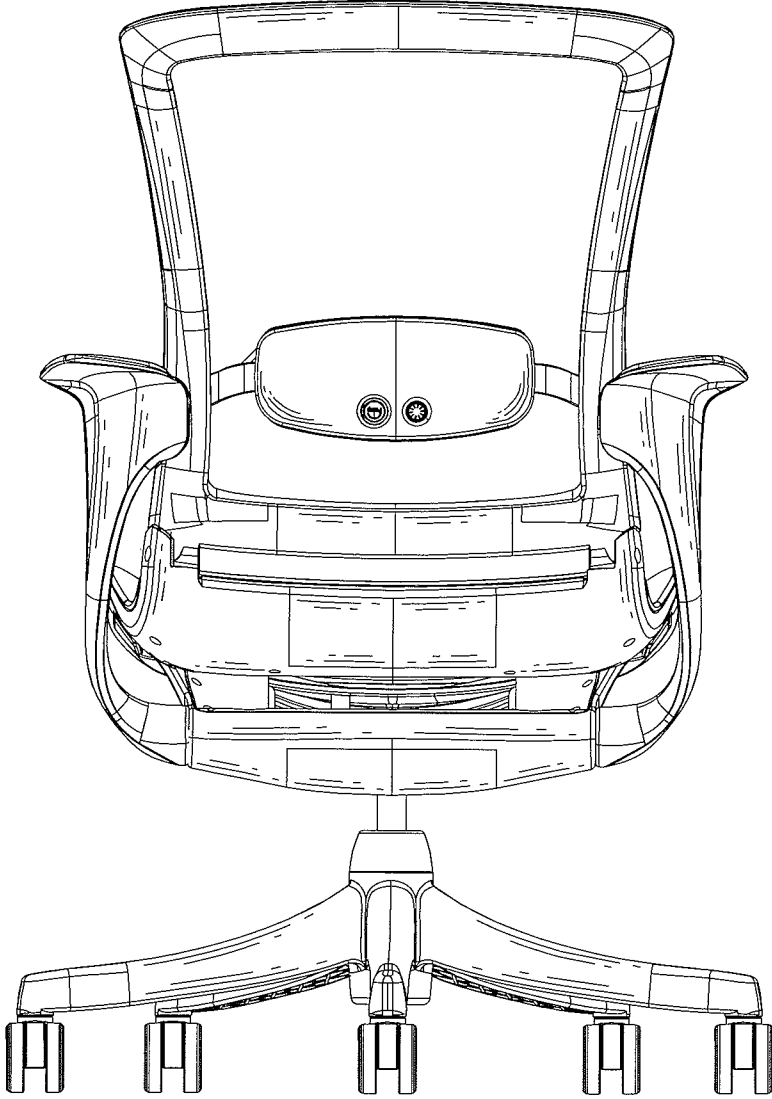


FIG. 3

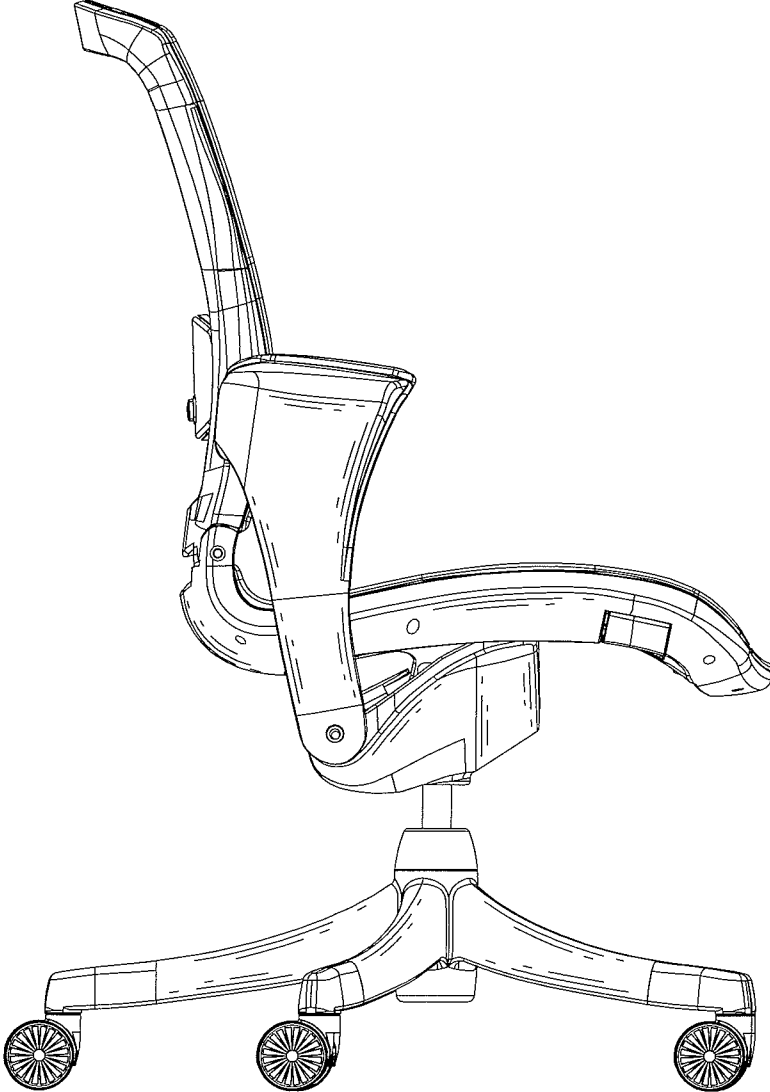


FIG. 4

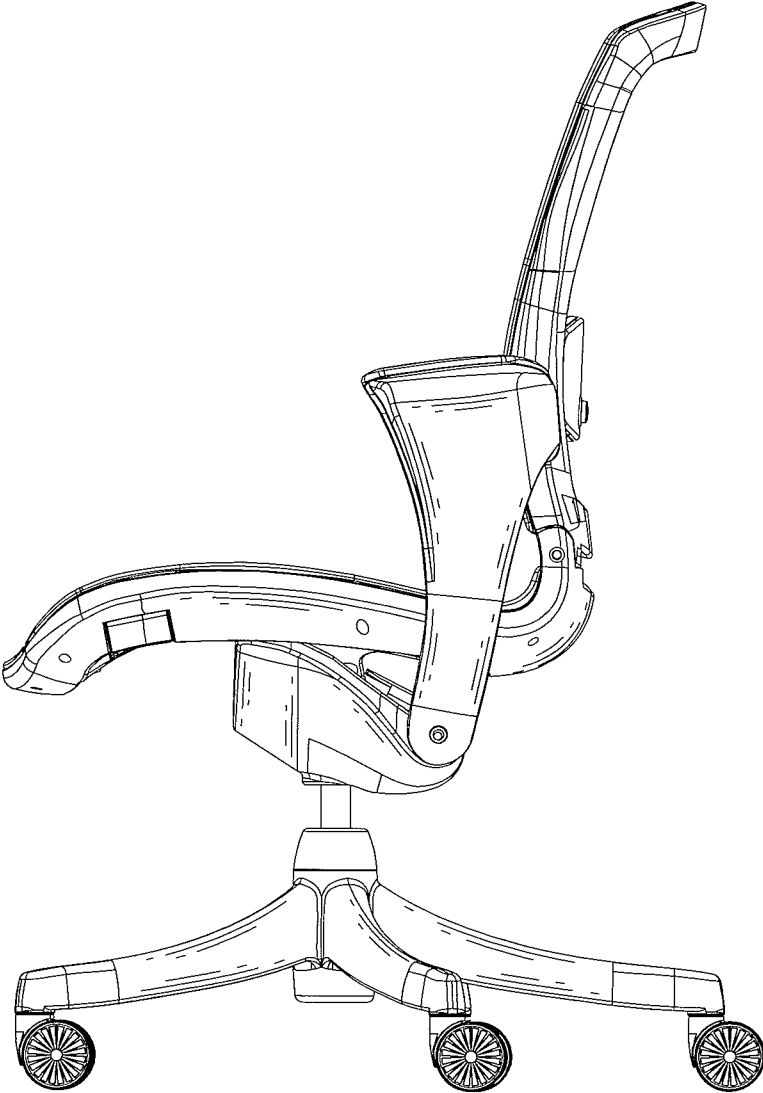


FIG. 5

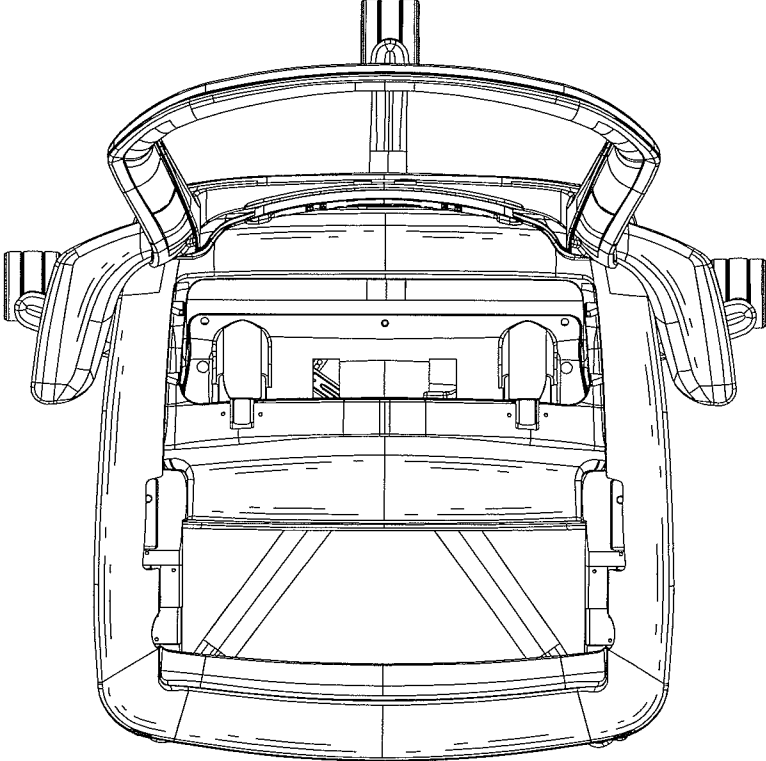


FIG. 6

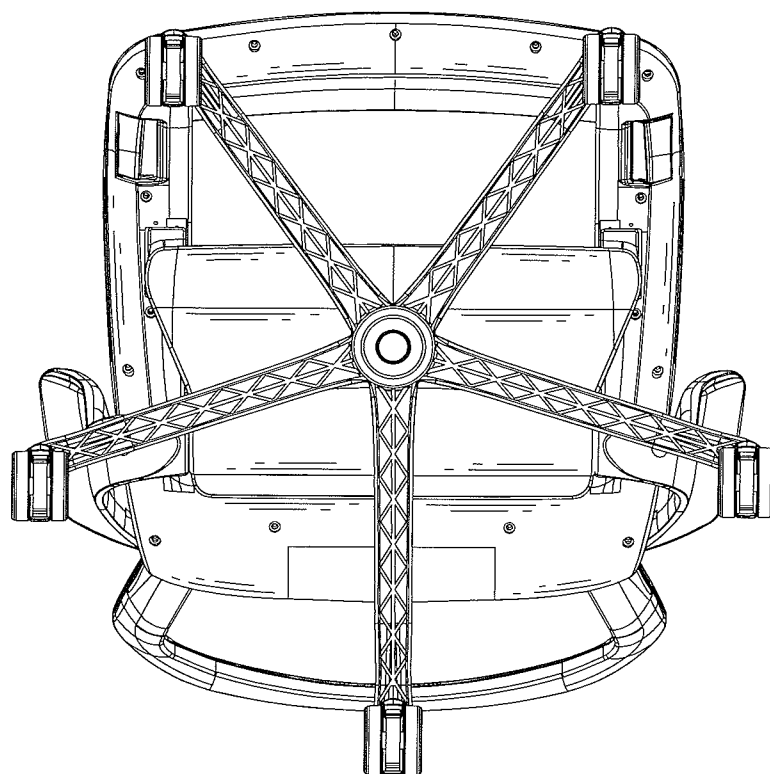


FIG. 7