



US00D412357S

United States Patent [19] Marshall

[11] Patent Number: **Des. 412,357**
[45] Date of Patent: **** Jul. 27, 1999**

[54] **SHOWERHEAD**

[75] Inventor: **Christopher Marshall**, Cumming, Ga.

[73] Assignee: **Masco Corporation of Indiana**, Indianapolis, Ind.

[*] Notice: This patent is subject to a terminal disclaimer.

[**] Term: **14 Years**

[21] Appl. No.: **29/086,298**

[22] Filed: **Apr. 9, 1998**

[51] **LOC (6) Cl.** **23-01**

[52] **U.S. Cl.** **D23/229**

[58] **Field of Search** D23/213, 214, D23/223, 226, 229, 230; 239/459-462, 587.1

D. 337,810 7/1993 Bengtson et al. .

D. 339,627 9/1993 Klose .

D. 355,951 2/1995 Ran .

D. 363,114 10/1995 Andrus .

D. 364,915 12/1995 Huang D23/213

D. 366,307 1/1996 Doughty et al. D23/229

D. 367,696 3/1996 Andrus .

D. 368,761 4/1996 Andrus .

D. 369,203 4/1996 Andrus .

D. 369,204 4/1996 Andrus .

D. 369,205 4/1996 Andrus .

D. 377,965 2/1997 Andrus .

D. 393,047 3/1998 Andrus et al. .

3,180,579 4/1965 Tomaso .

3,468,483 9/1969 Parkison .

4,203,550 5/1980 On .

4,303,201 12/1981 Elkins et al. .

4,588,130 5/1986 Trenary et al. .

4,629,125 12/1986 Liu .

5,297,735 3/1994 Heimann et al. .

[56] **References Cited**

U.S. PATENT DOCUMENTS

D. 113,439 2/1939 Reinecke .

D. 118,419 1/1940 Rockwood .

D. 208,526 9/1967 Delamater .

D. 245,859 9/1977 Grube .

D. 261,300 10/1981 Klose .

D. 261,417 10/1981 Klose .

D. 267,582 1/1983 Mackay et al. .

D. 268,359 3/1983 Klose .

D. 269,540 6/1983 Larsson .

D. 290,497 6/1987 Huen D23/229

D. 295,437 4/1988 Fabian .

D. 299,050 12/1988 Gonzalez D23/229

D. 313,456 1/1991 Presman .

D. 313,833 1/1991 Presman .

D. 314,608 2/1991 Presman .

D. 315,191 3/1991 Mikol .

D. 320,064 9/1991 Presman .

D. 323,545 1/1992 Ward D23/213

D. 327,115 6/1992 Rogers .

D. 327,729 7/1992 Rogers .

D. 332,303 1/1993 Klose .

D. 333,338 2/1993 Klose .

D. 334,046 3/1993 Klose .

D. 334,048 3/1993 Ben-Zur .

OTHER PUBLICATIONS

Advertisement "Great Vibrations", Hardware Age, Mar. 1997.

Primary Examiner—Robin V. Taylor
Attorney, Agent, or Firm—Myron B. Kapustij; Leon E. Redman

[57] **CLAIM**

The ornamental design for a showerhead, as shown and described.

DESCRIPTION

FIG. 1 is a front perspective view of a showerhead showing my new design;

FIG. 2 is a rear perspective view thereof;

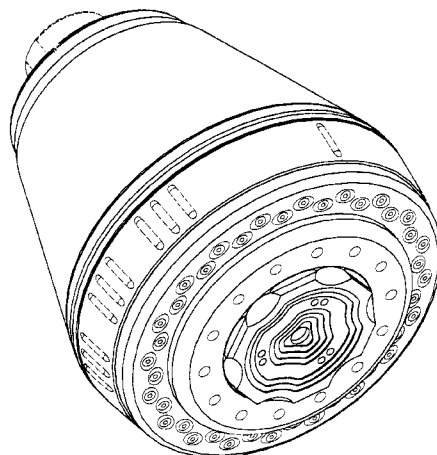
FIG. 3 is a front elevational view thereof;

FIG. 4 is a side elevational view thereof, the opposite side being a mirror image; and,

FIG. 5 is a rear elevational view thereof.

The broken line representation of the swivel attachment socket at the rear of the showerhead in FIG. 1, 2, 4 and 5 and of the ribs around the periphery of the faceplate in FIGS. 1-5 are for purposes of illustration only and form no part of the claimed design.

1 Claim, 2 Drawing Sheets



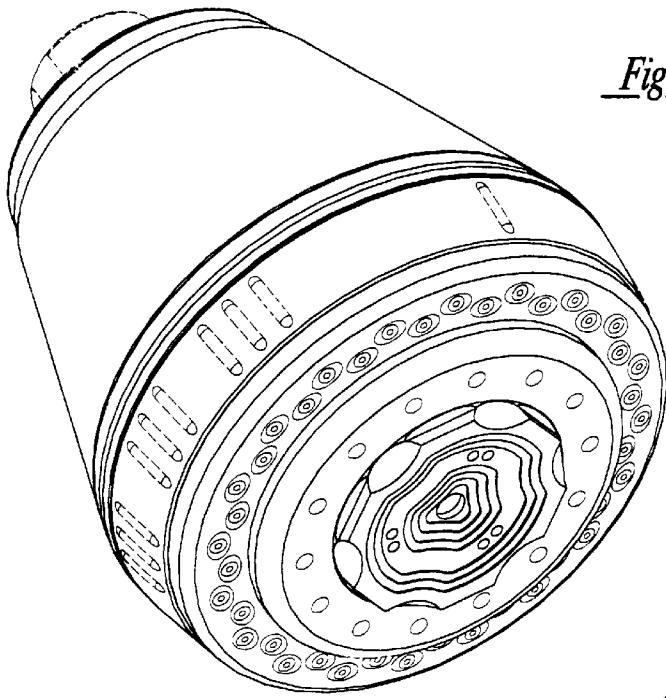


Fig-1

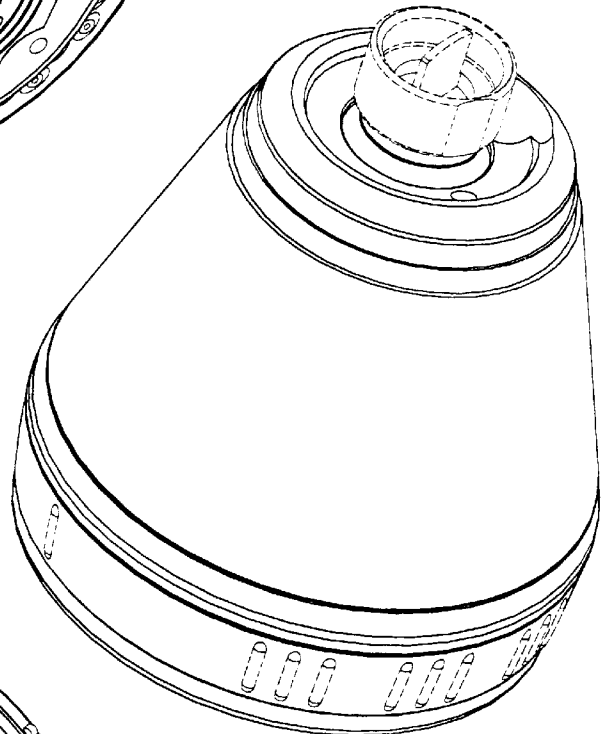


Fig-2

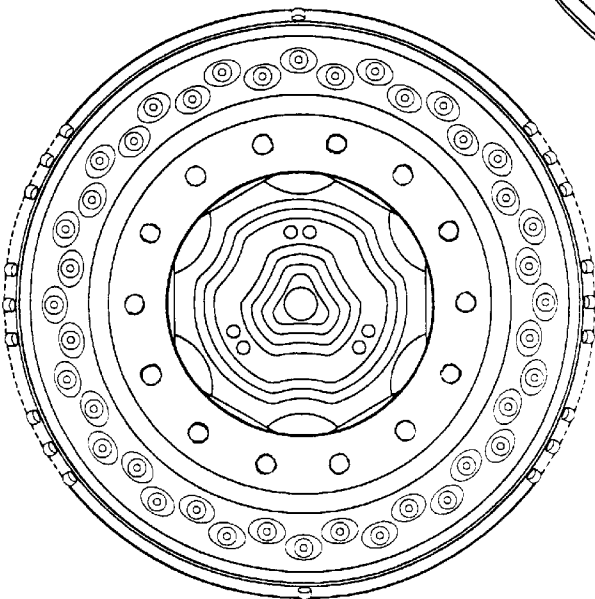


Fig-3

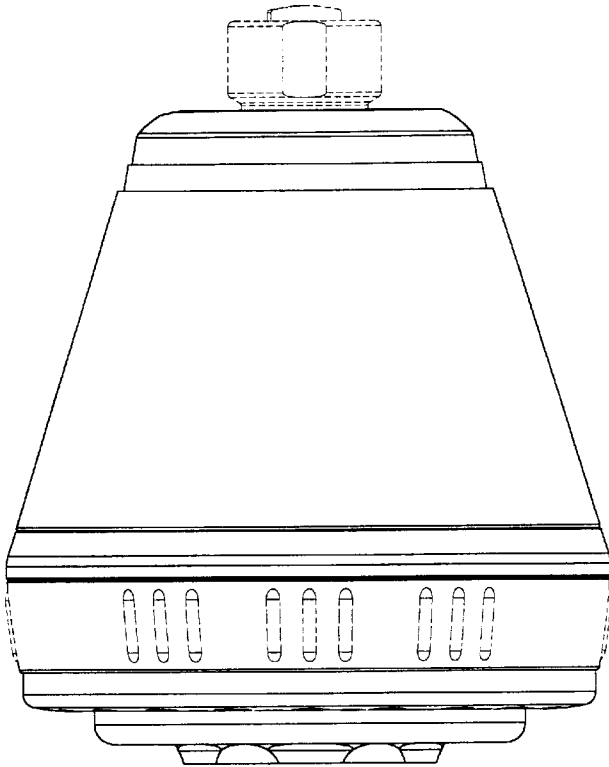


Fig-4

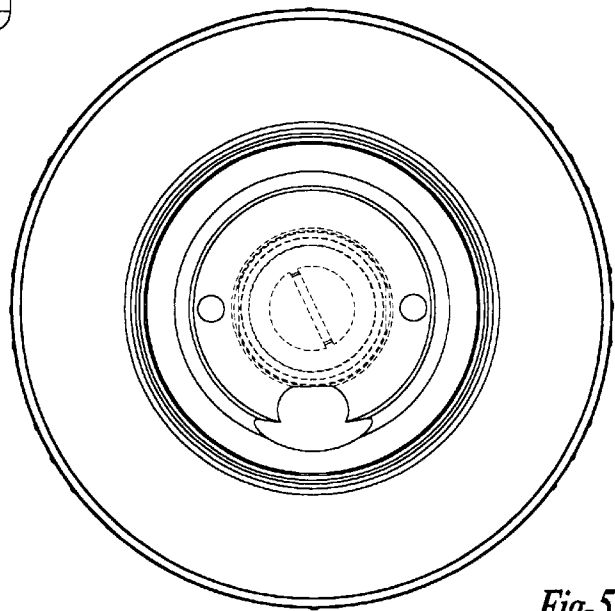


Fig-5