



US00D853124S

(12) **United States Design Patent**
Liu

(10) **Patent No.:** **US D853,124 S**

(45) **Date of Patent:** **** Jul. 9, 2019**

(54) **FACIAL CLEANSING BRUSH**

(71) Applicant: **Jianwen Liu**, Jiangxi (CN)

(72) Inventor: **Jianwen Liu**, Jiangxi (CN)

(**) Term: **15 Years**

(21) Appl. No.: **29/643,692**

(22) Filed: **Apr. 11, 2018**

(51) **LOC (11) Cl.** **28-03**

(52) **U.S. Cl.** **D4/102**

USPC **D4/102**

(58) **Field of Classification Search**

USPC D4/100, 102; D28/7, 63; D24/211, 214,
D24/215; D32/35, 40
CPC . A47K 7/00; A47K 7/02; A47K 7/002; A47K
7/04; A47K 7/043; A61H 7/002; A61H
7/003; A61H 7/005; A61H 2205/022;
A61H 2201/1692; A46B 2200/102
See application file for complete search history.

(56) **References Cited**

U.S. PATENT DOCUMENTS

7,320,691 B2 * 1/2008 Pilcher A61B 17/54
604/289
D735,133 S * 7/2015 Reishus D13/108
D743,174 S * 11/2015 von Berg D4/102
D744,754 S * 12/2015 Reishus D4/102
D744,755 S * 12/2015 Reishus D4/102
D770,181 S * 11/2016 Reishus D4/100
D771,951 S * 11/2016 Reishus D4/100

D784,703 S * 4/2017 Grabes D4/102
D811,747 S * 3/2018 Powell D4/102
D819,976 S * 6/2018 Albers D4/120
D828,034 S * 9/2018 Rybacek D4/102
2011/0270274 A1 * 11/2011 Hull, Jr. A45D 34/04
606/131
2016/0183671 A1 * 6/2016 Skidmore A46B 13/02
173/162.2

FOREIGN PATENT DOCUMENTS

CN 303110427 * 2/2015
CN 304372688 * 11/2017
EM 005228517-0001 * 4/2018
KR 300790584.0000 * 4/2015

* cited by examiner

Primary Examiner — Karen E Eldridge Powers

(74) *Attorney, Agent, or Firm* — Justin Lampel

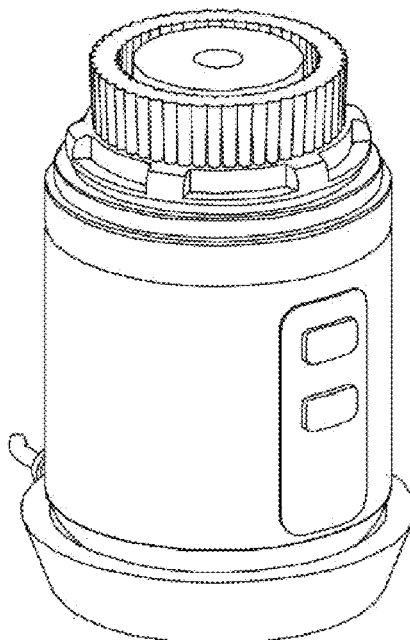
(57) **CLAIM**

The ornamental design for a facial cleansing brush, as shown and described.

DESCRIPTION

FIG. 1 is a perspective view of a facial cleansing brush showing my new design;
FIG. 2 is a front elevation view thereof;
FIG. 3 is a rear elevation view thereof;
FIG. 4 is a right side elevation view thereof;
FIG. 5 is a left side elevation view thereof;
FIG. 6 is a top plan view thereof; and,
FIG. 7 is a bottom plan view thereof.

1 Claim, 7 Drawing Sheets



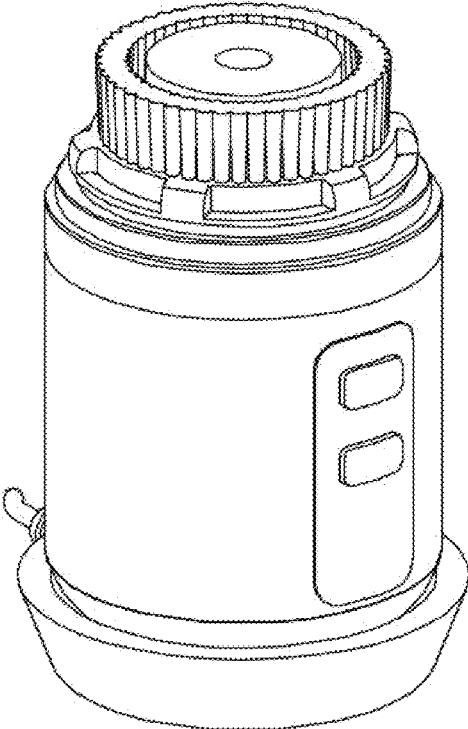


FIG. 1

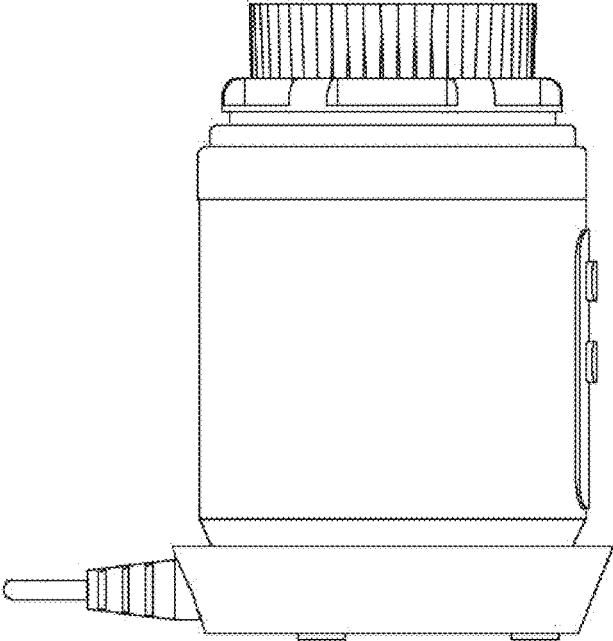


FIG. 2

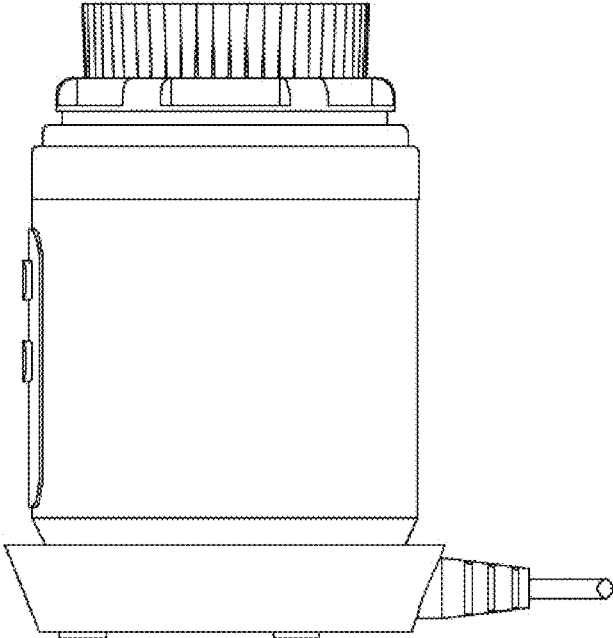


FIG. 3

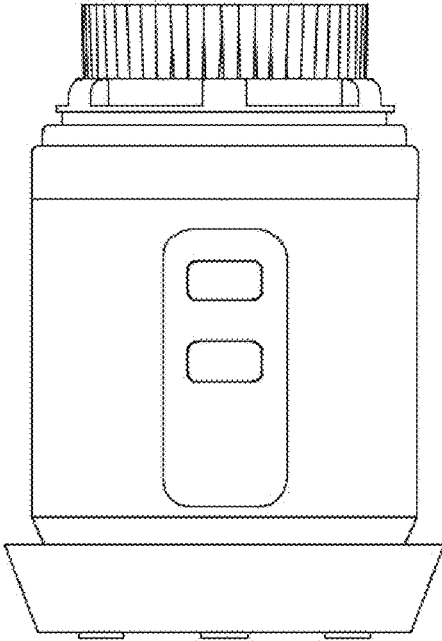


FIG. 4

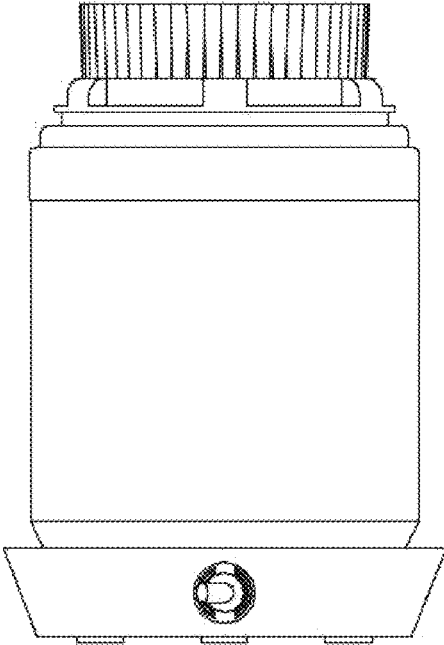


FIG. 5

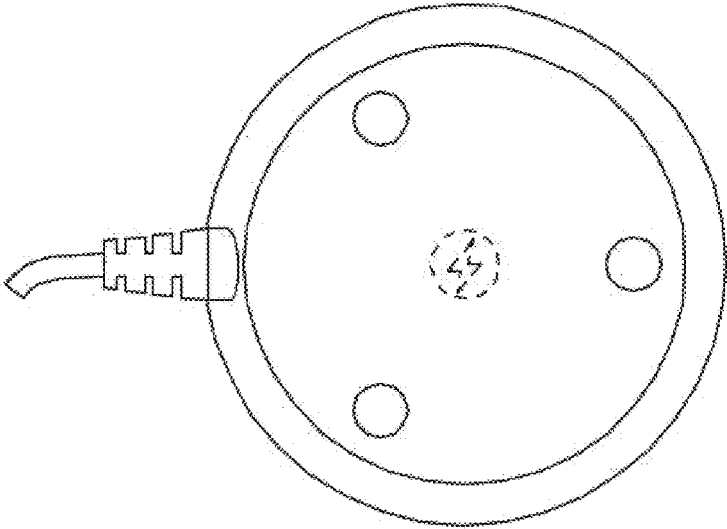


FIG. 6

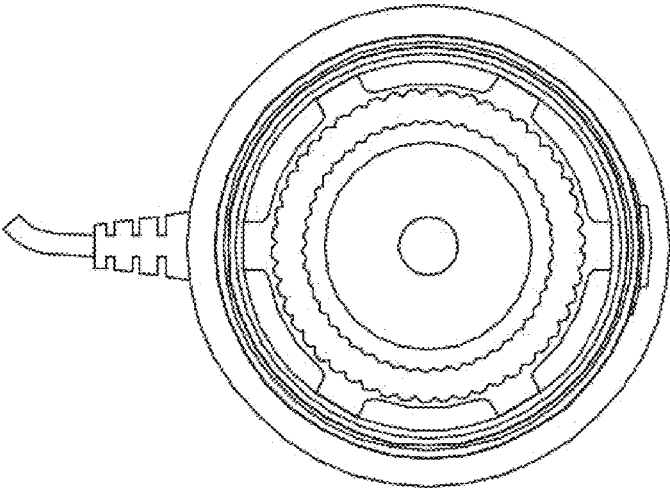


FIG. 7