



US00D837094S

(12) **United States Design Patent**
Hung et al.

(10) **Patent No.:** **US D837,094 S**

(45) **Date of Patent:** **** Jan. 1, 2019**

- (54) **PLANTER PACKAGE**
- (71) Applicant: **ATT Southern, Inc.**, Camp Hill, PA (US)
- (72) Inventors: **Chun Hung**, Dillsburg, PA (US); **Brian Leahy**, Atlanta, GA (US); **Patrick Guillory**, Smyrna, GA (US); **Phillip Lemke**, Schuylkill Haven, PA (US)
- (73) Assignee: **ATT Southern, Inc.**, Camp Hill, PA (US)
- (**) Term: **15 Years**
- (21) Appl. No.: **29/567,117**
- (22) Filed: **Jun. 6, 2016**
- (51) **LOC (11) Cl.** **11-02**
- (52) **U.S. Cl.** **D11/152**
- (58) **Field of Classification Search**
USPC D11/143-156, 164; D6/403-405, D6/556-558; D9/655, 659, 651-653, D9/414, 416, 428, 431, 432, 456; 47/84, 47/65.5; 206/423
CPC A01G 9/02; B65D 5/00; B65D 5/008
See application file for complete search history.

D438,487 S	3/2001	Madden, IV	
6,422,390 B1	7/2002	Humphrey	
6,516,563 B1 *	2/2003	Matthews	A01G 9/02 47/66.1
D480,326 S *	10/2003	Carlson	D11/155
D491,061 S	6/2004	Bouroullec et al.	
D532,715 S *	11/2006	Schmidt	D11/155
7,140,149 B2 *	11/2006	Searle	A01G 9/02 47/65.5
D570,245 S *	6/2008	McAbee	D11/131
D571,688 S *	6/2008	White	D11/155
D686,913 S	7/2013	Kirk et al.	
D688,589 S *	8/2013	Hung	D11/148
D689,793 S	9/2013	Yung	
D702,548 S	4/2014	Flury	
D724,481 S *	3/2015	Blouin	D11/155

(Continued)

Primary Examiner — Susan Bennett Hattan
Assistant Examiner — Rebecca Tsehaye
(74) *Attorney, Agent, or Firm* — Brooks Kushman P.C.

(57) **CLAIM**

The ornamental design for a planter package, as shown and described.

DESCRIPTION

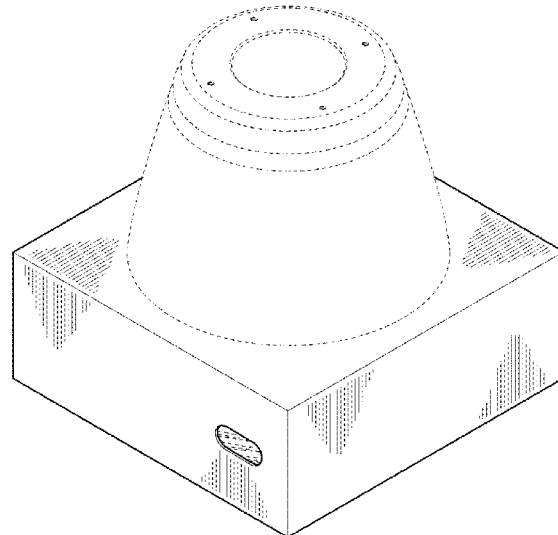
FIG. 1 is a top perspective view of a planter package; FIG. 2 is a bottom perspective view of the planter package of FIG. 1; FIG. 3 is a front side elevation view of the planter package of FIG. 1, wherein, a rear side elevation view of the planter package of FIG. 1 is a mirror image of FIG. 3; FIG. 4 is a left side elevation view and a right side elevation view of the planter package of FIG. 1; FIG. 5 is a top plan view of the planter package of FIG. 1; and, FIG. 6 is a bottom view of the planter package of FIG. 1. The broken lines in the drawings depict portions of the planter package that form no part of the claimed design.

1 Claim, 3 Drawing Sheets

(56) **References Cited**

U.S. PATENT DOCUMENTS

1,059,359 A	4/1913	Hahn	
1,116,694 A	11/1914	Hahn	
3,414,132 A	12/1968	Cornu	
D232,753 S	9/1974	Jalakas	
D238,088 S	12/1975	Grosfillex	
D340,204 S *	10/1993	Grosfillex	D11/155
D376,769 S	12/1996	Kreidler	
D392,914 S *	3/1998	Friend	D11/143
D399,456 S	10/1998	Weder et al.	
D428,360 S	7/2000	Herzog-Mesrobian	



(56)

References Cited

U.S. PATENT DOCUMENTS

8,985,329 B2 * 3/2015 Ullrich B65D 5/503
206/423
D745,428 S 12/2015 Morris
D763,105 S * 8/2016 Forowycz D9/759
D801,213 S * 10/2017 Kim D11/155
D808,080 S * 1/2018 Corey D28/85
2005/0072704 A1 4/2005 Patz et al.
2013/0036669 A1 2/2013 Rabii et al.

* cited by examiner

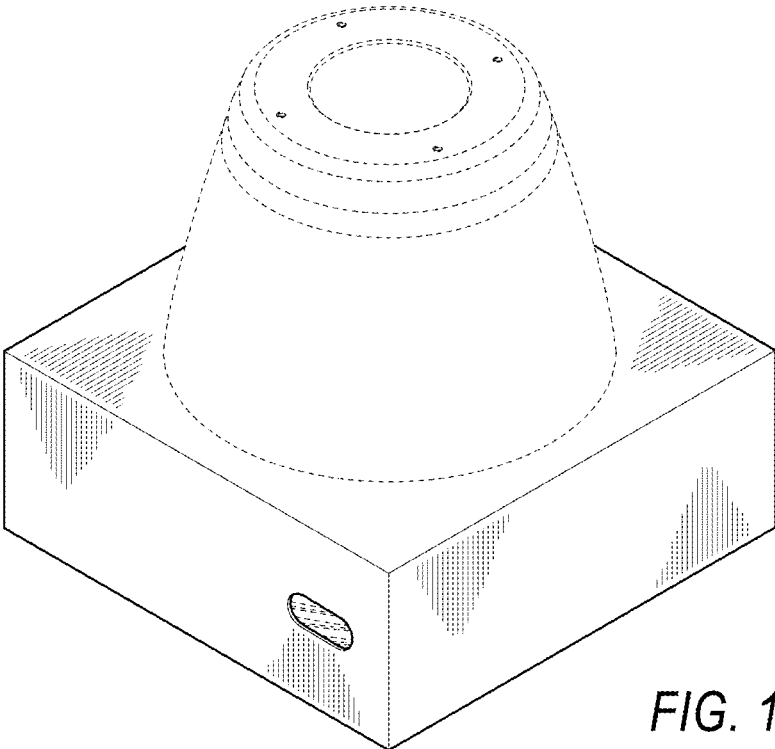


FIG. 1

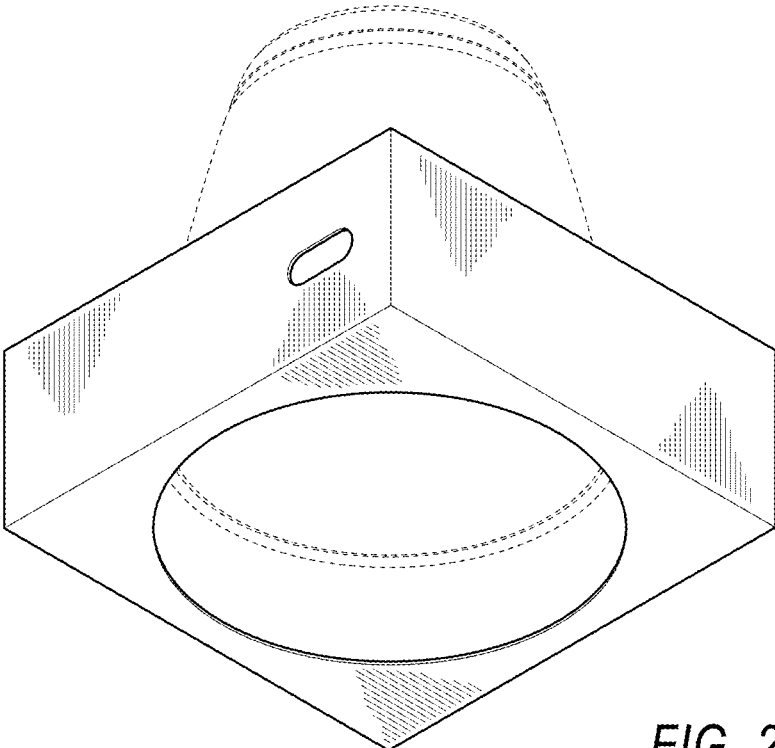


FIG. 2

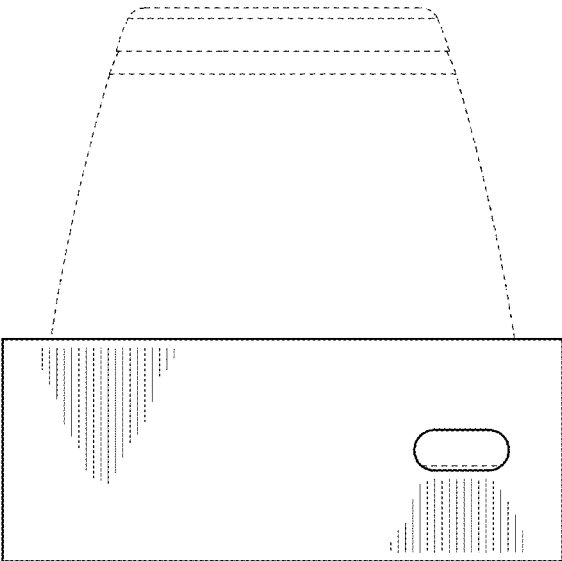


FIG. 3

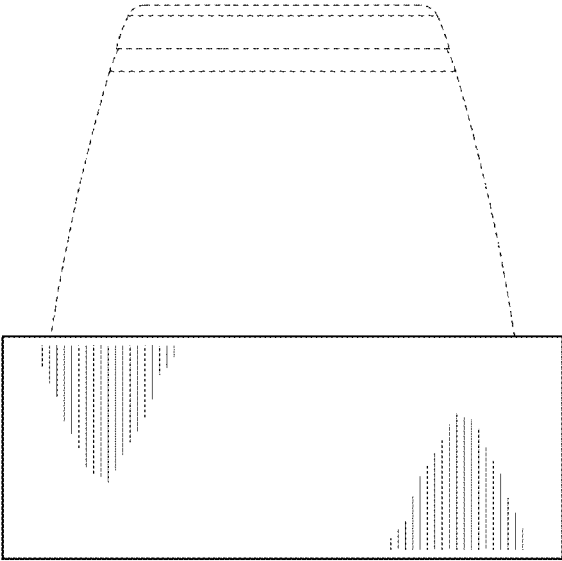


FIG. 4

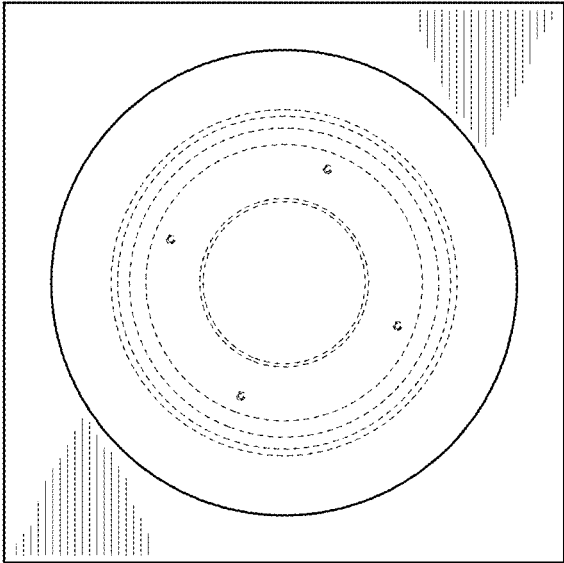


FIG. 5

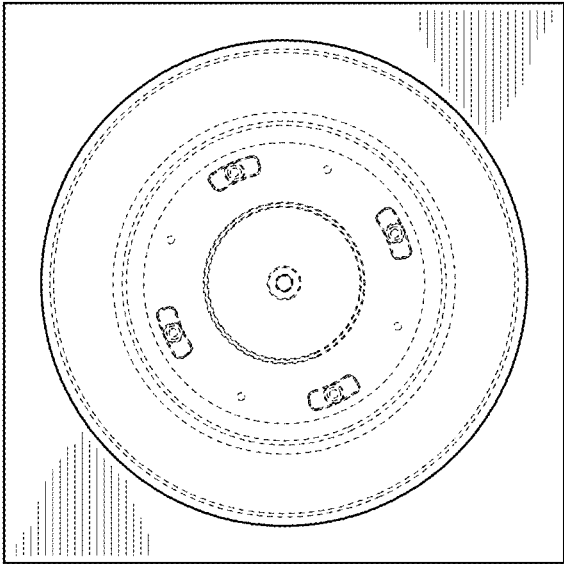


FIG. 6