



US00D966390S

(12) **United States Design Patent**
Zhang

(10) **Patent No.:** **US D966,390 S**

(45) **Date of Patent:** **** Oct. 11, 2022**

(54) **DASHBOARD CAMERA**
(71) Applicant: **Ruichang Zhang Xiaoyan Trading Co., Ltd., Jiangxi (CN)**

D867,420 S * 11/2019 Zhang D16/202
D875,803 S * 2/2020 Yuan D16/202
D881,254 S * 4/2020 Guo D16/202
D884,054 S * 5/2020 Mihara D16/208
D887,475 S * 6/2020 Hsu D16/208
D887,476 S * 6/2020 Hsu D16/208

(72) Inventor: **Xiaoyan Zhang, Jiangxi (CN)**
(73) Assignee: **Ruichang Zhang Xiaoyan Trading Co., Ltd., Jiujiang (CN)**

(Continued)

(**) Term: **15 Years**

FOREIGN PATENT DOCUMENTS

EM 009021744-0001 * 5/2022
EM 009085202-0001 * 7/2022

(21) Appl. No.: **29/838,223**

OTHER PUBLICATIONS

(22) Filed: **May 11, 2022**
(51) **LOC (13) Cl.** **16-01**
(52) **U.S. Cl.**
USPC **D16/202**
(58) **Field of Classification Search**
USPC D16/200–203, 208, 217–218; D10/46,
D10/61, 62, 70, 104.1, 106.6, 109.1,
D10/109.2; D14/125, 203.1, 204, 317,
D14/474, 496
CPC G03B 17/02; G03B 21/10; G03B 2217/00;
H04N 5/2251; H04N 5/2252; H04N
5/23216
See application file for complete search history.

“Dash Cam Front and Rear Chortau Dual Dash Cam 3 inch Dashboard Camera Full HD 170° Wide Angle Backup Camera with Night Vision WDR G-Sensor Parking Monitor Loop Recording Motion Detection” from Walmart.com, first retrieved Aug. 8, 2022 from the internet <<https://www.walmart.com/ip/Dash-Cam-Front-Rear-CHORTAU-Dual-3-inch-Dashboard-Camera-Full-HD-170-Wide-Angle-Backup-Night-Vision-WDR-G-Sensor-Parking-Monitor-Loop-Recording-Motio/444904015>>.*

(Continued)

Primary Examiner — Elizabeth J Oswecki
Assistant Examiner — Lacey Chey Bowman

(56) **References Cited**

(57) **CLAIM**

The ornamental design for a dashboard camera, substantially as shown and described.

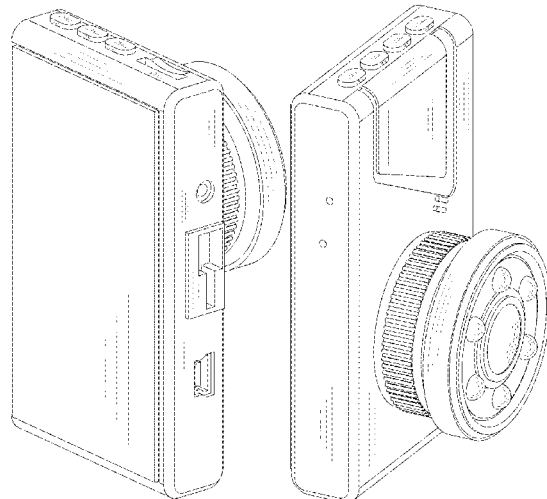
U.S. PATENT DOCUMENTS

DESCRIPTION

D510,375 S * 10/2005 Ou D16/202
D644,259 S * 8/2011 Barley D16/203
D747,386 S * 1/2016 Li D16/208
D753,749 S * 4/2016 Zhu D16/202
D755,874 S * 5/2016 Yang D16/202
D756,436 S * 5/2016 Ku D16/218
D766,351 S * 9/2016 Li D16/202
D772,966 S * 11/2016 Song D16/200
D816,144 S * 4/2018 Vigren D16/203
D819,111 S * 5/2018 Singh
D825,636 S * 8/2018 Hueber D16/202
D856,392 S * 8/2019 Luo D16/202
D857,076 S * 8/2019 Gan D16/202
D865,835 S * 11/2019 Fidler D16/202

FIG. 1 is a front perspective view of a dashboard camera, showing my new design;
FIG. 2 is a rear perspective view thereof;
FIG. 3 is a front elevation view thereof;
FIG. 4 is a rear elevation view thereof;
FIG. 5 is a left side elevation view thereof;
FIG. 6 is a right side elevation view thereof;
FIG. 7 is a top plan view thereof; and,
FIG. 8 is a bottom plan view thereof.

1 Claim, 8 Drawing Sheets



(56)

References Cited

U.S. PATENT DOCUMENTS

| | | | | | | |
|--------------|----|---|---------|-----------|-------|----------------------------|
| D888,127 | S | * | 6/2020 | Lee | | D16/202 |
| D888,801 | S | * | 6/2020 | Hsu | | D16/208 |
| D892,901 | S | * | 8/2020 | Xu | | D16/218 |
| D893,578 | S | * | 8/2020 | Denby | | D16/218 |
| D905,781 | S | * | 12/2020 | Liu | | D16/218 |
| D907,093 | S | * | 1/2021 | Hung | | D16/202 |
| D908,766 | S | * | 1/2021 | He | | D16/208 |
| D908,772 | S | | 1/2021 | Grant | | |
| D921,736 | S | * | 6/2021 | Yin | | D16/208 |
| D923,075 | S | * | 6/2021 | Grant | | D16/208 |
| D934,943 | S | * | 11/2021 | Zhao | | D16/218 |
| D939,608 | S | * | 12/2021 | Han | | D16/202 |
| D939,610 | S | * | 12/2021 | Han | | D16/202 |
| 2010/0194931 | A1 | * | 8/2010 | Kawaguchi | | H04N 5/23222 348/240.99 |
| 2017/0195550 | A1 | * | 7/2017 | Kim | | H04N 5/23216 |
| 2022/0141385 | A1 | * | 5/2022 | Ishihara | | H01H 13/66 348/207.99 |

OTHER PUBLICATIONS

“Dash Cam 1080P Full HD Car Camera DVR Dashboard Video Recorder In Car Camera Dashcam for Cars 170 Wide Angle WDR 3.0inch UK” from Alibaba.com, first retrieved Aug. 8, 2022 from the internet <https://www.alibaba.com/product-detail/Dash-Cam-1080P-Full-HD-Car_62181175331.html> (Year: 2022).*

* cited by examiner

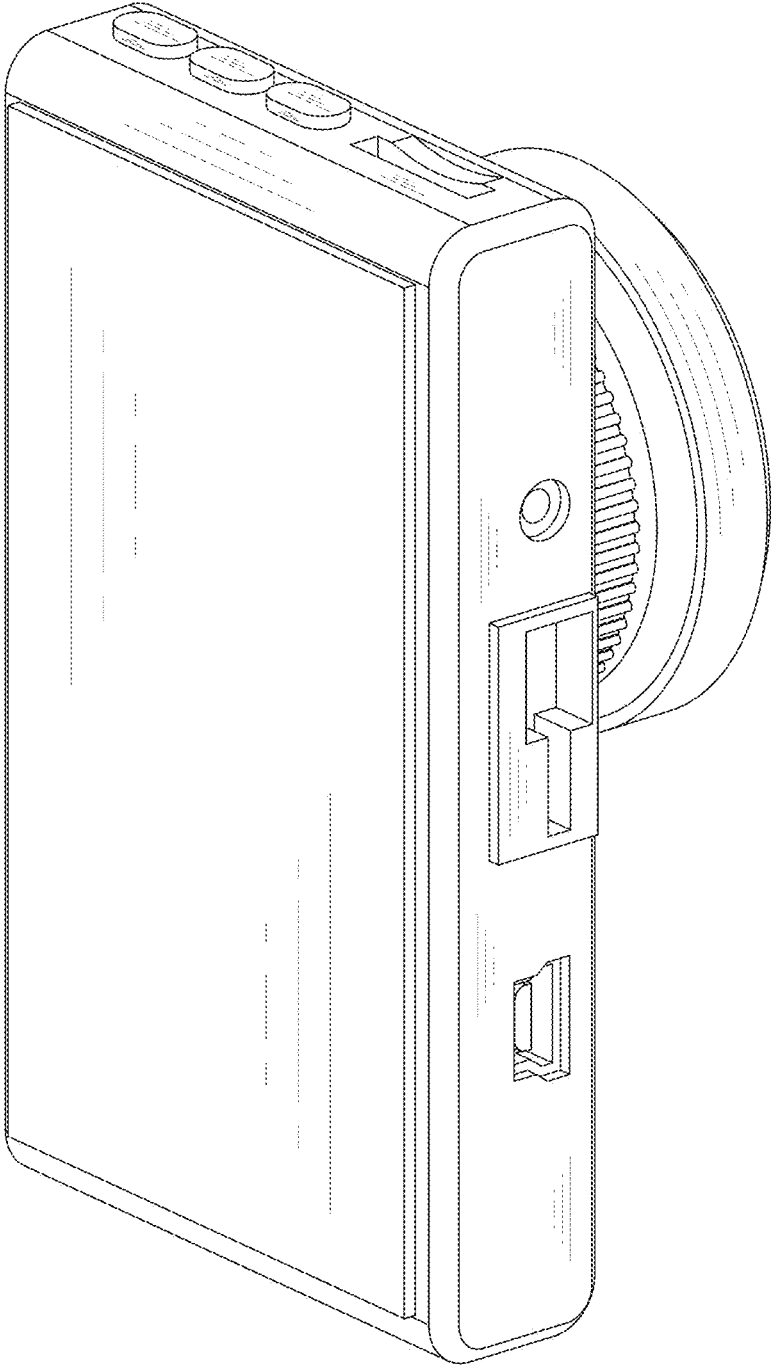


FIG. 1

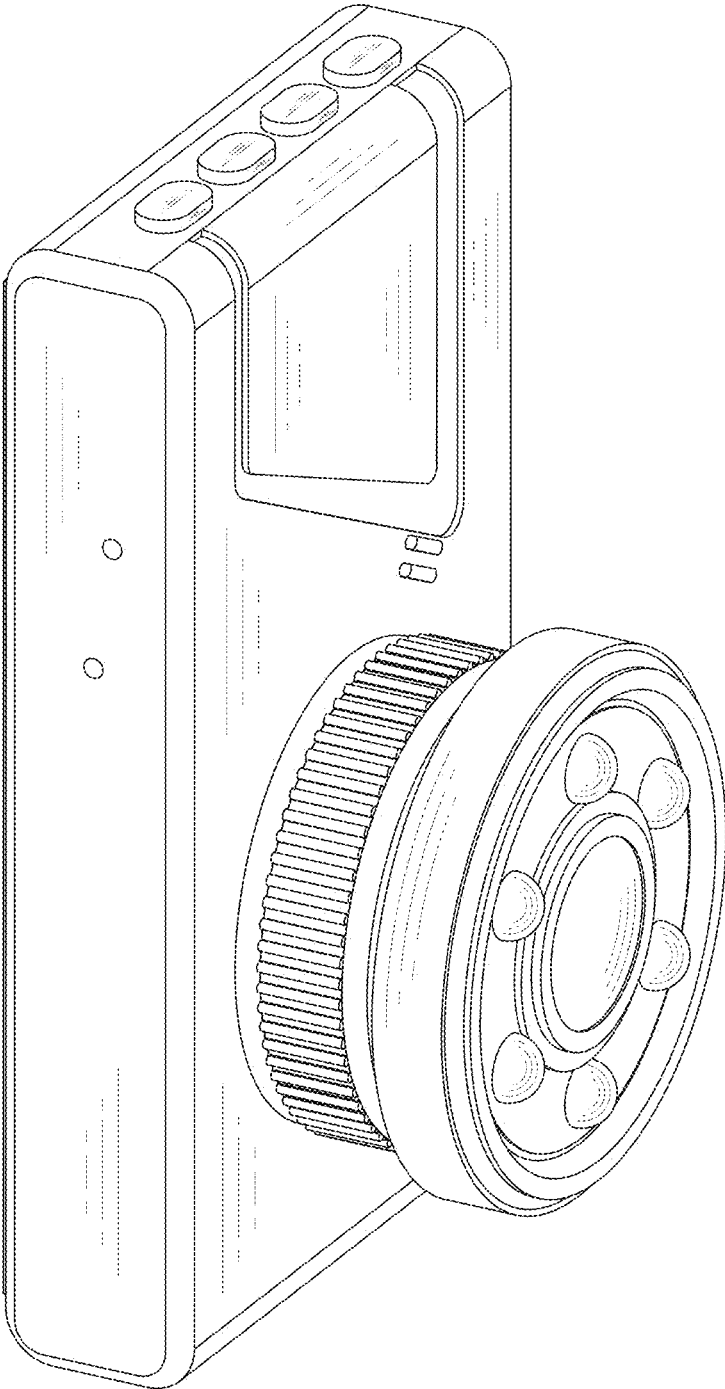


FIG. 2

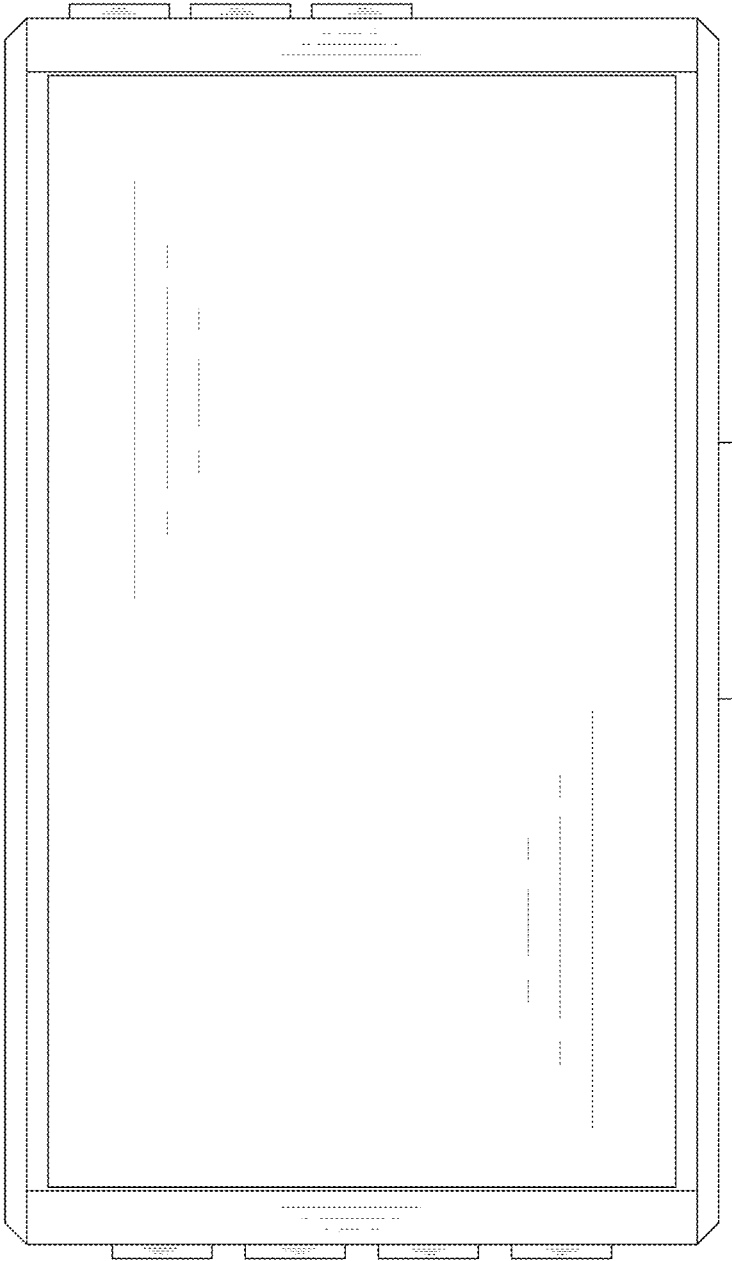


FIG. 3

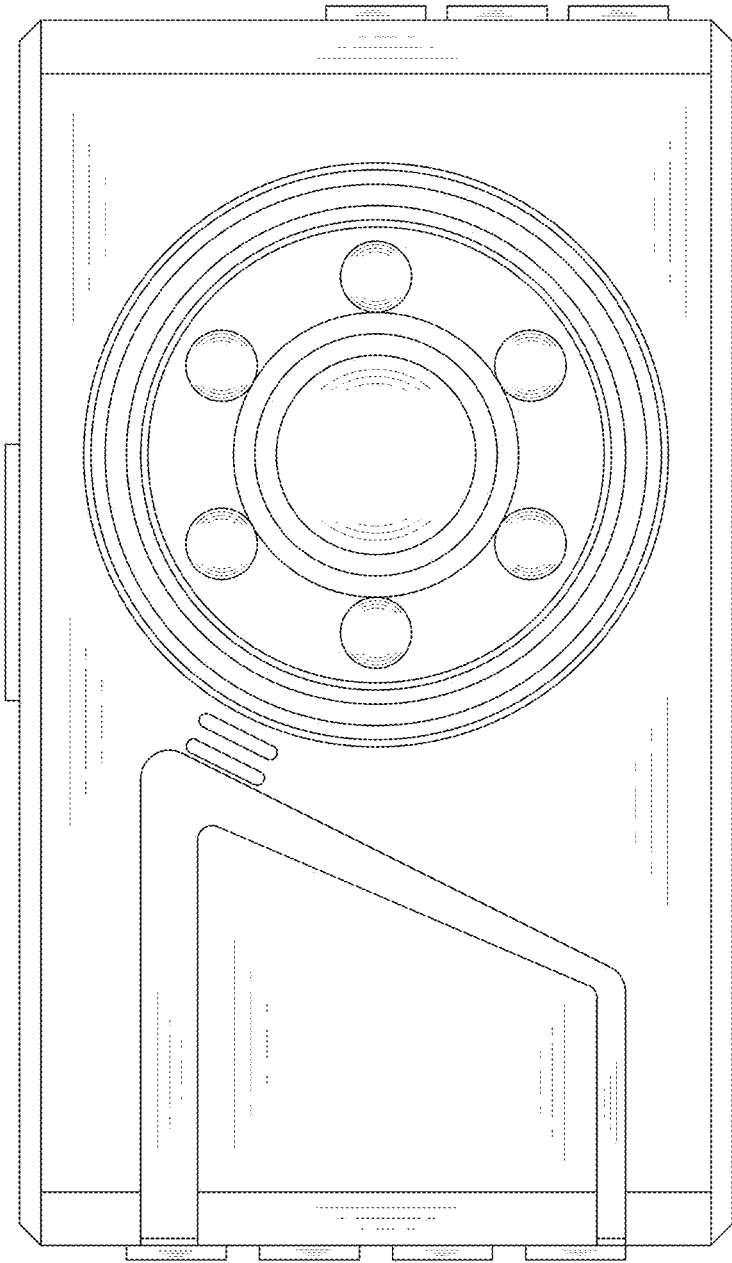


FIG. 4

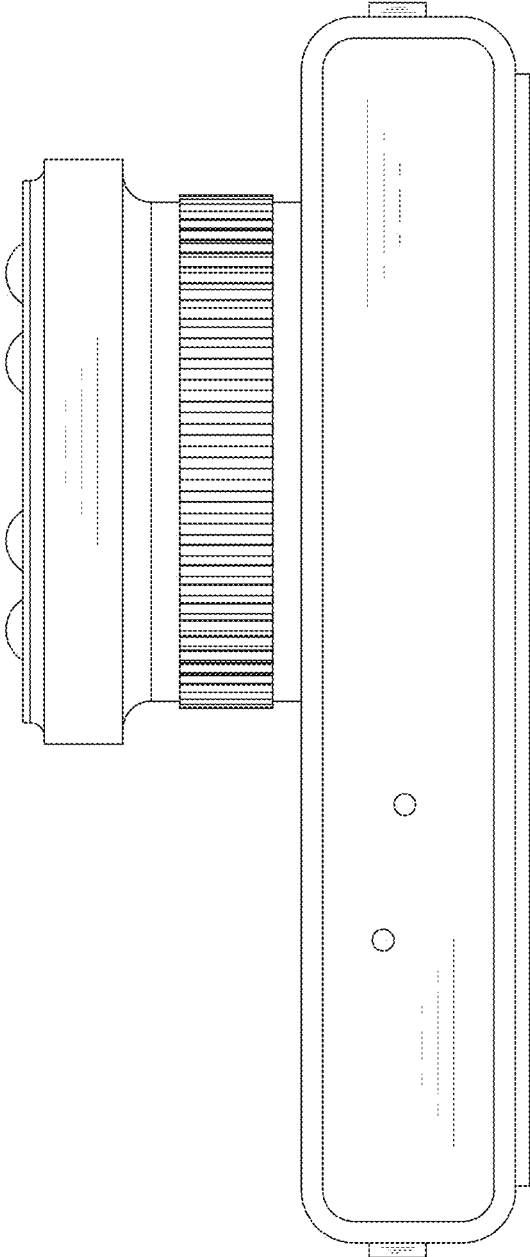


FIG. 5

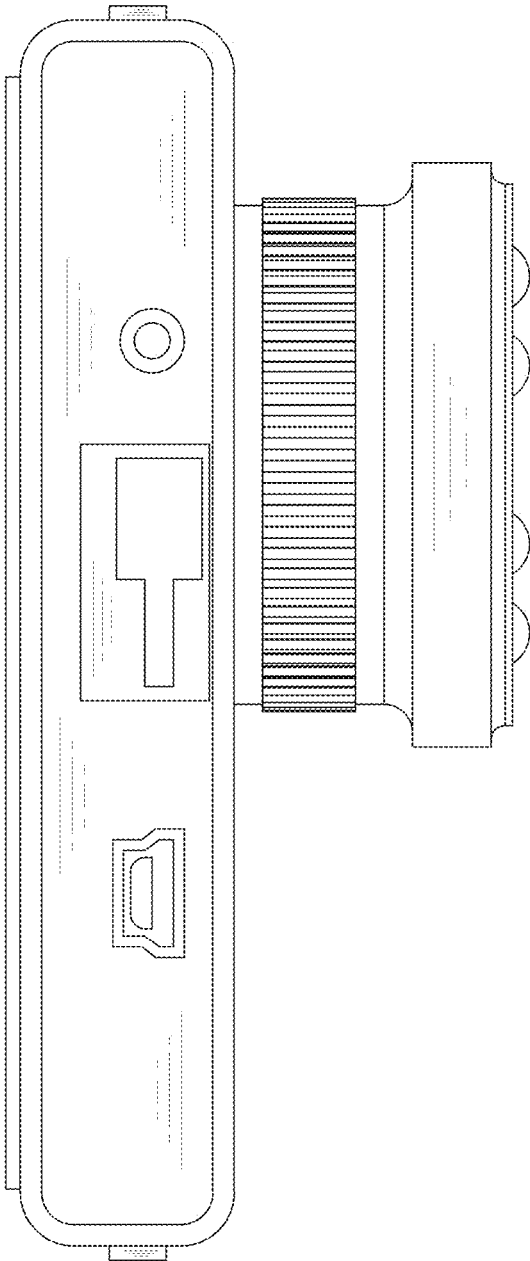


FIG. 6

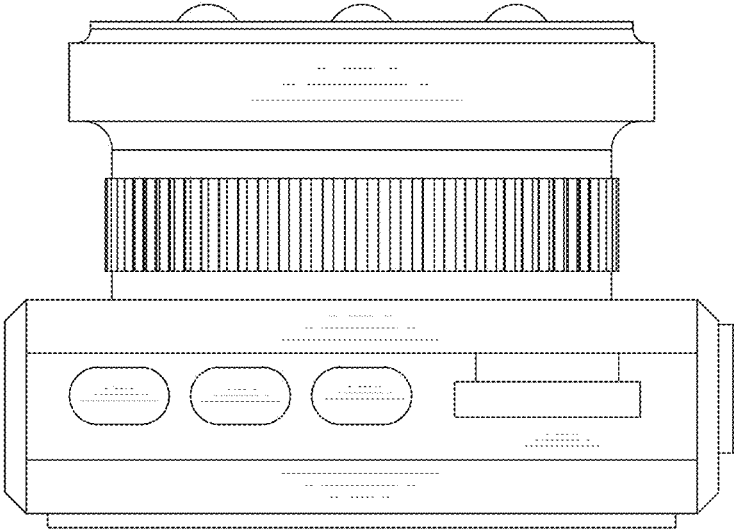


FIG. 7

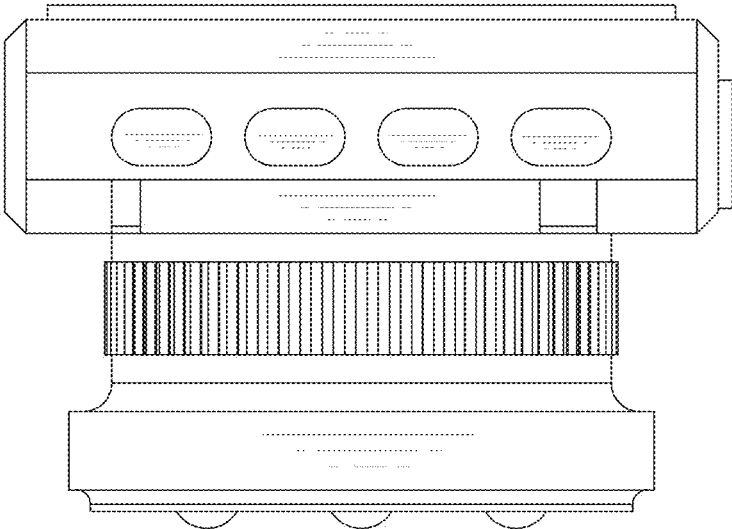


FIG. 8