



US00D963144S

(12) **United States Design Patent** (10) **Patent No.:** **US D963,144 S**
Han et al. (45) **Date of Patent:** **** Sep. 6, 2022**

(54) **AIR CIRCULATOR**
(71) Applicant: **LG ELECTRONICS INC.**, Seoul (KR)
(72) Inventors: **Sungkyong Han**, Seoul (KR); **Sehwan Bae**, Seoul (KR); **Myungwhoon Lee**, Seoul (KR); **Kangeui Cho**, Seoul (KR); **Jiug Ha**, Seoul (KR)
(73) Assignee: **LG ELECTRONICS INC.**, Seoul (KR)
(**) Term: **15 Years**

D872,846 S * 1/2020 Jessup D23/364
D879,564 S * 3/2020 Adams, Jr. D7/612
D889,434 S * 7/2020 Xie D14/216
D891,597 S * 7/2020 Carling D23/364
D899,570 S * 10/2020 Kuhlman D23/356
D905,841 S * 12/2020 Cao D23/364
D906,500 S * 12/2020 Seo D23/356
D908,854 S * 1/2021 Fitzsimmons D23/364
D910,825 S * 2/2021 Jung D23/364
D913,475 S * 3/2021 Wu D23/366
D917,684 S * 4/2021 Jung D23/364
D929,554 S * 8/2021 Lee D23/364
D931,063 S * 9/2021 Miksovsky D7/629
D936,809 S * 11/2021 Shen D23/364
D941,636 S * 1/2022 McNamara D7/608
D948,695 S * 4/2022 Patton D23/366

(Continued)

(21) Appl. No.: **29/721,773**
(22) Filed: **Jan. 23, 2020**
(30) **Foreign Application Priority Data**

Jul. 25, 2019 (KR) 30-2019-0035868

(51) **LOC (13) Cl.** **23-04**
(52) **U.S. Cl.**
USPC **D23/370**

(58) **Field of Classification Search**
USPC .. D7/536, 538, 553.8, 554.2, 602-604, 612;
D9/428, 545, 738, 763-764, 767;
D23/332-335, 337, 342, 352, 355-366,
D23/369-370
CPC .. A61L 9/00; A61L 9/22; B01D 47/00; B01D
47/027; B01D 2259/4508; B03C 3/155;
B03C 3/368; F24F 3/16; F24F 13/20;
F24F 13/28
See application file for complete search history.

(56) **References Cited**
U.S. PATENT DOCUMENTS

D688,368 S * 8/2013 Ediger D23/382
D762,833 S * 8/2016 Ogg D23/365
D861,845 S * 10/2019 Chen D23/364

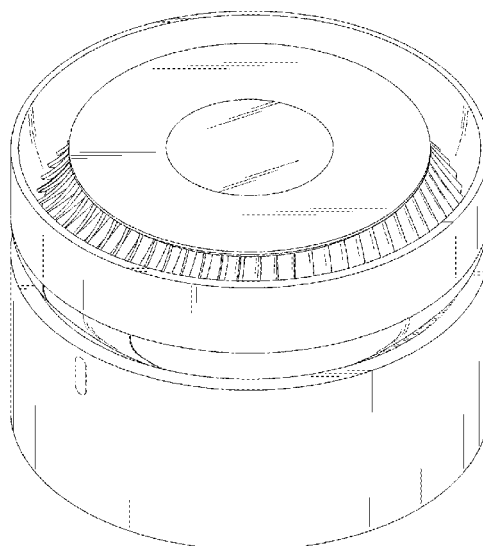
Primary Examiner — Karen S Acker
Assistant Examiner — Jonathan E Fiencke
(74) *Attorney, Agent, or Firm* — Birch, Stewart, Kolasch & Birch, LLP

(57) **CLAIM**
The ornamental design for an air circulator, as shown and described.

DESCRIPTION

FIG. 1 is a perspective view of an air circulator showing the new design;
FIG. 2 is a front elevation view thereof;
FIG. 3 is a rear elevation view thereof;
FIG. 4 is a left-side elevation view thereof;
FIG. 5 is a right-side elevation view thereof;
FIG. 6 is a top plan view thereof;
FIG. 7 is a bottom plan view thereof; and,
FIG. 8 is a perspective view showing the air circulator in a state of use.
The evenly spaced broken lines and unshaded areas depict portions of the air circulator that form no part of the claimed design.

1 Claim, 8 Drawing Sheets



(56)

References Cited

U.S. PATENT DOCUMENTS

D951,413 S * 5/2022 Han D23/364
D952,820 S * 5/2022 Yang D23/364

* cited by examiner

FIG. 1

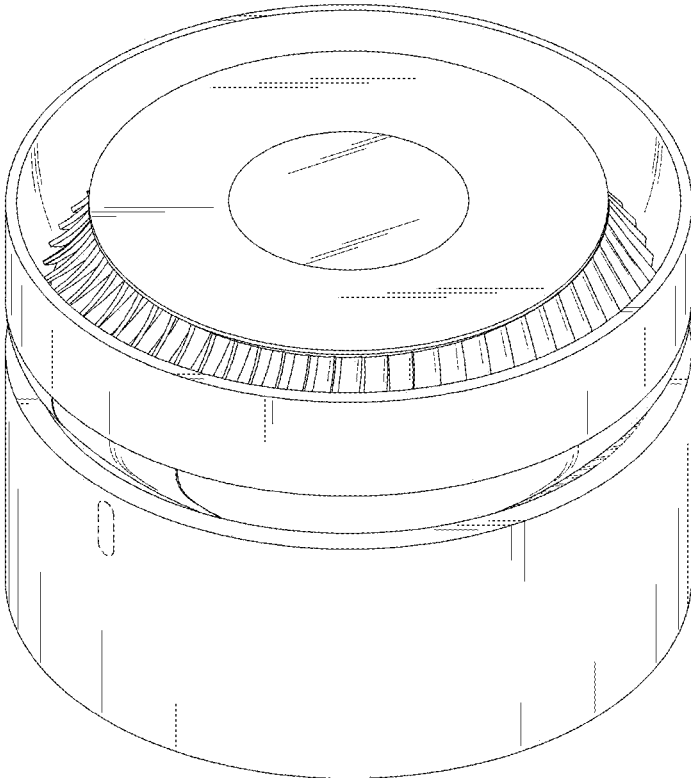


FIG. 2

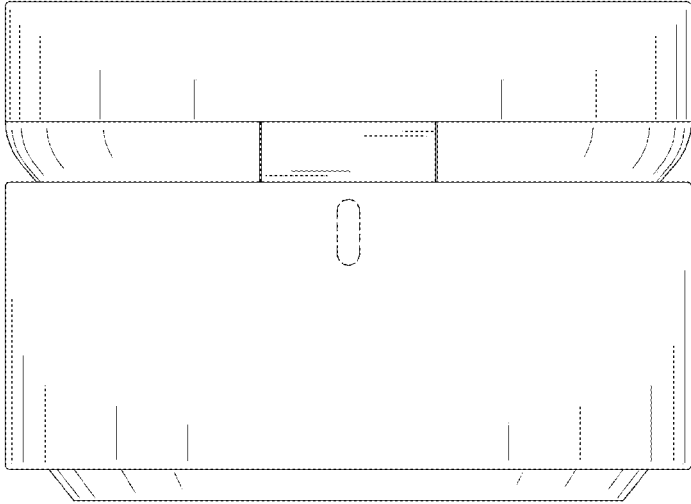


FIG. 3

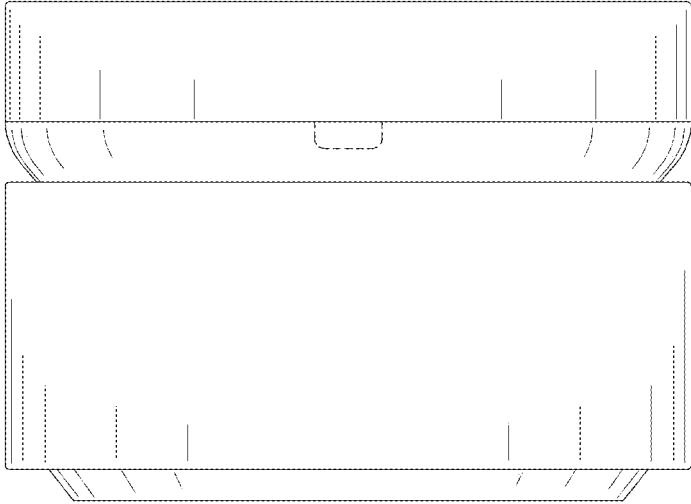


FIG. 4

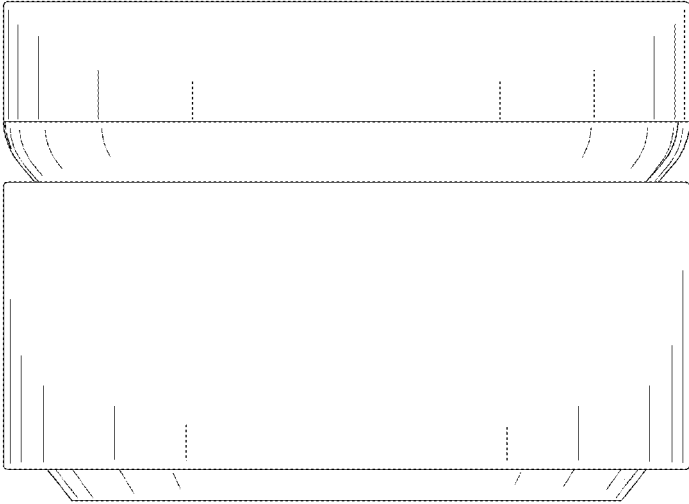


FIG. 5

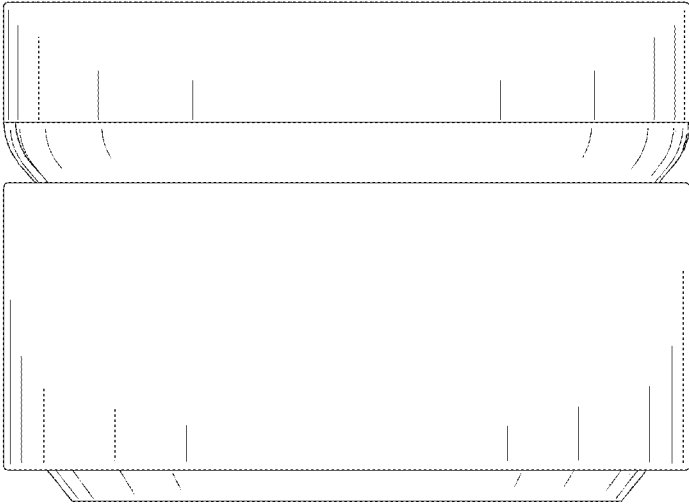


FIG. 6

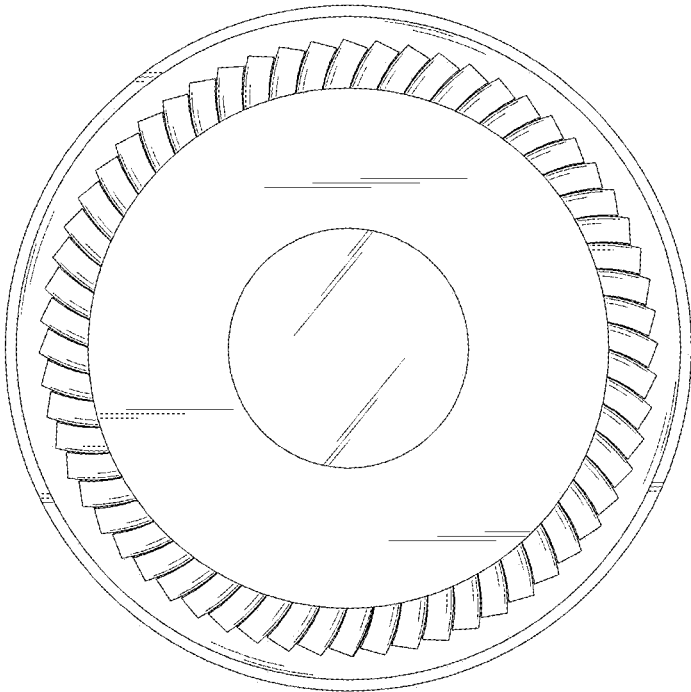


FIG. 7

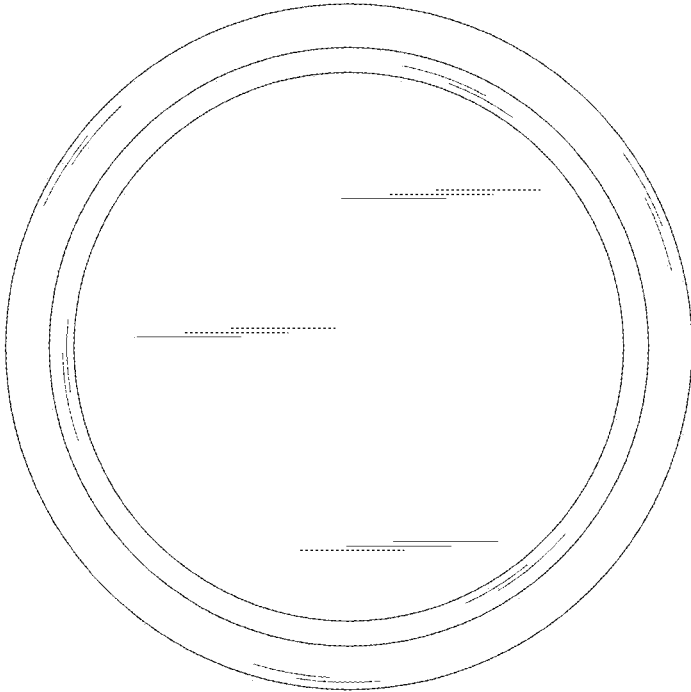


FIG. 8

