



US0D1036195S

(12) **United States Design Patent**
Xu

(10) **Patent No.:** **US D1,036,195 S**

(45) **Date of Patent:** **** Jul. 23, 2024**

(54) **BOTTLE LID STRAP**

(71) Applicant: **Wenliang Xu**, Huainan (CN)

(72) Inventor: **Wenliang Xu**, Huainan (CN)

(**) Term: **15 Years**

(21) Appl. No.: **29/821,418**

(22) Filed: **Dec. 29, 2021**

(51) **LOC (14) Cl.** **07-01**

(52) **U.S. Cl.**

USPC **D7/394; D7/393; D7/392.1**

(58) **Field of Classification Search**

USPC D7/387, 391, 392, 392.1, 393, 394,

D7/396.1, 396.2, 505, 507, 509-511, 533,

D7/536, 608, 619.1, 620, 622; D3/202,

D3/327; D9/435, 443, 455; D21/455,

D21/468

CPC A45F 3/16; A47G 19/2272; A47J 41/02;

A47J 41/026; B65D 23/10; B65D 23/104;

B65D 23/106; B65D 23/108

See application file for complete search history.

(56) **References Cited**

U.S. PATENT DOCUMENTS

D404,966	S	*	2/1999	Bell	D7/393
D591,110	S	*	4/2009	Koehler	D7/396.2
D734,685	S	*	7/2015	Barresi	D11/3
D741,682	S	*	10/2015	Miller, Sr.	D8/300
D909,173	S	*	2/2021	Sabberton	D7/393
D934,026	S	*	10/2021	Taylor	D7/392.1
D943,356	S	*	2/2022	Lyu	D7/608
D946,347	S	*	3/2022	Zhang	D7/392.1
D957,888	S	*	7/2022	Musumeci	D7/622
D960,637	S	*	8/2022	Zhang	D7/391
D976,334	S	*	1/2023	Capon	D21/468
D980,335	S	*	3/2023	Wu	D21/455
2021/0371163	A1	*	12/2021	Moss	B65D 23/108

OTHER PUBLICATIONS

80Pcs Push it Pop Fidget Bracelet, Amazon, [online], [site visited Sep. 19, 2023], Available from internet URL: <https://www.amazon.com/Bracelet-Sensory-Multicolor-Bracelets-Adjustable/dp/B09TQLSXLT> (Year: 2023).*

Iconic Pop 20oz Sport Bottle, Strap Pack, first available Apr. 19, 2023, Amazon, [online], [site visited Sep. 19, 2023], Available from internet URL: <https://www.amazon.com/Iconic-Sport-Bottle-Strap-Colors/dp/B0C32JCQNY> (Year: 2023).*

Toy Store E 12pcs Pop It Bracelet Fidget Toys, Amazon, [online], [site visited Sep. 21, 2023], Available from internet URL: <https://www.amazon.com/Toy-Store-E-Fidget-Bracelet/dp/B09RHHV969L> (Year: 2023).*

* cited by examiner

Primary Examiner — Catherine Ho

Assistant Examiner — Natalya M Rapundalo

(74) *Attorney, Agent, or Firm* — Justin Lampel

(57) **CLAIM**

The ornamental design for a bottle lid strap, as shown and described.

DESCRIPTION

FIG. 1 is a front top perspective view of a bottle lid strap showing my new design;

FIG. 2 is a rear top perspective view thereof;

FIG. 3 is a bottom perspective view thereof;

FIG. 4 is a front elevational view thereof;

FIG. 5 is a rear elevational view thereof;

FIG. 6 is a left side elevational view thereof;

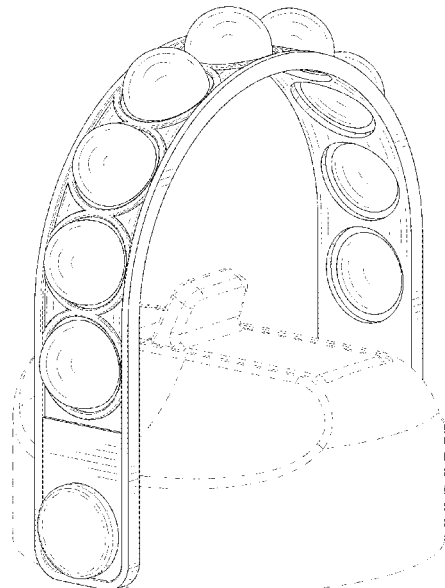
FIG. 7 is a right side elevational view thereof;

FIG. 8 is a top plan view thereof; and,

FIG. 9 is a bottom plan view thereof.

The broken lines in the drawings depict portions of the bottle lid strap that form no part of the claimed design.

1 Claim, 9 Drawing Sheets



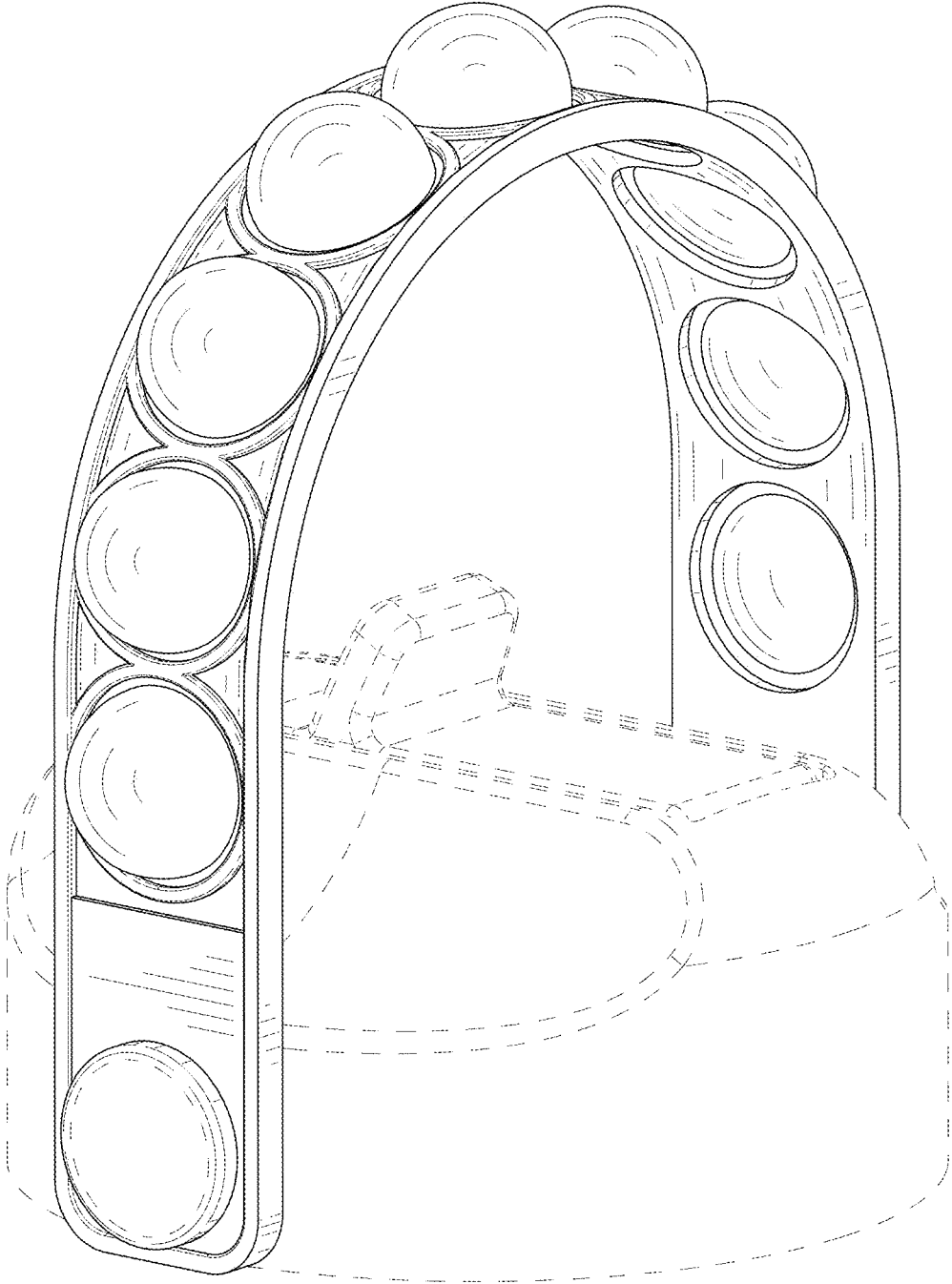


FIG. 1

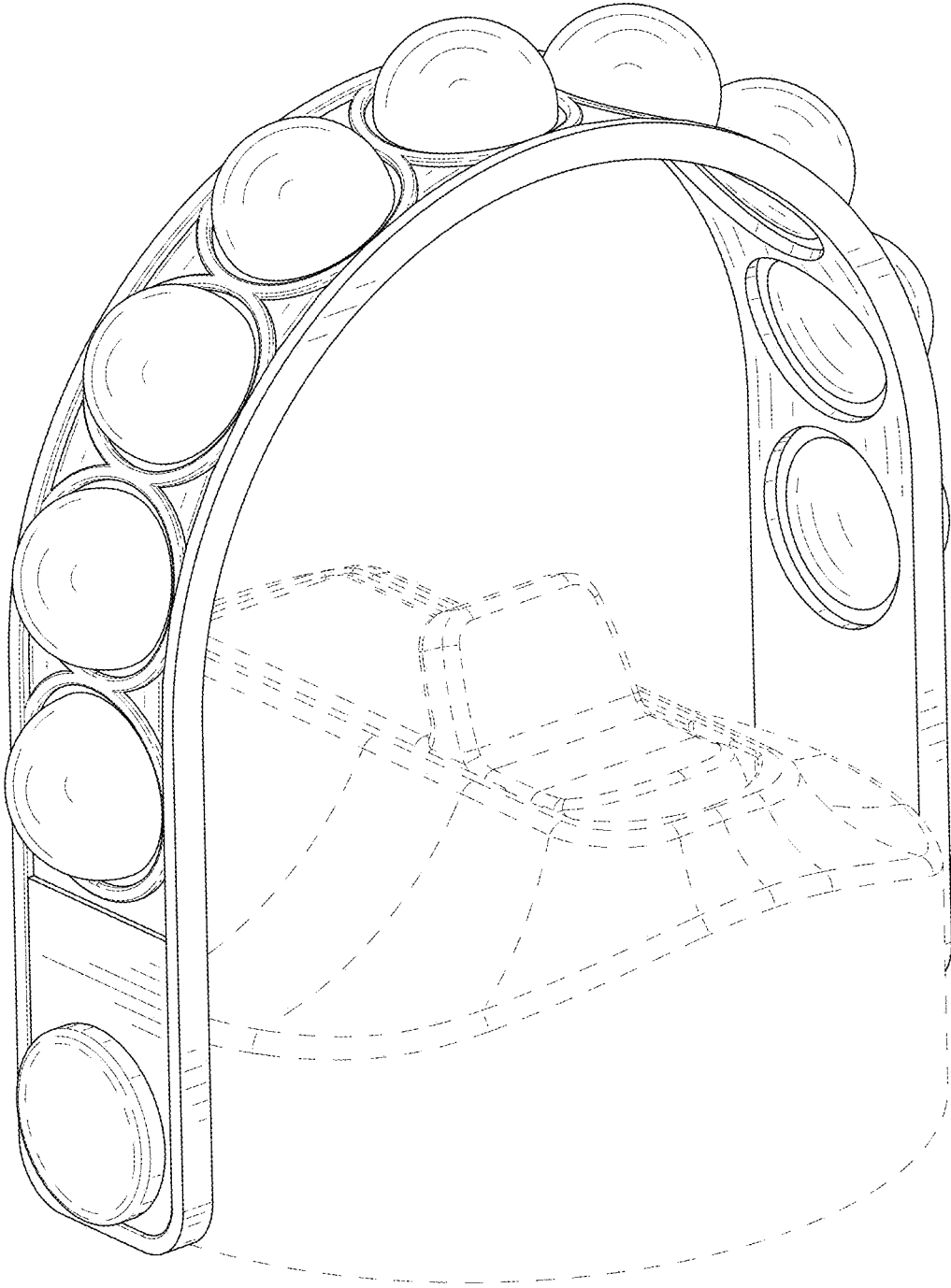


FIG. 2

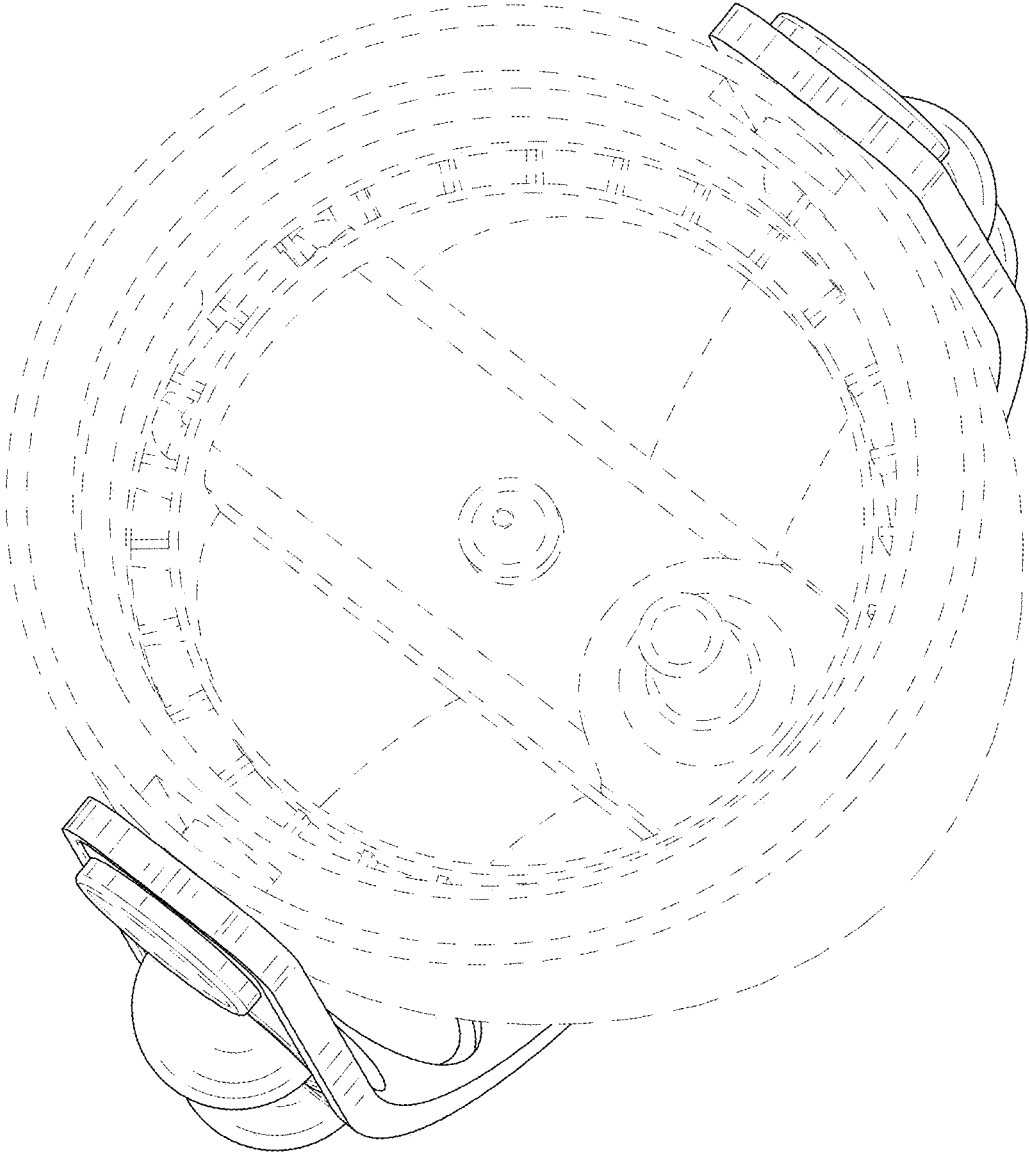


FIG. 3

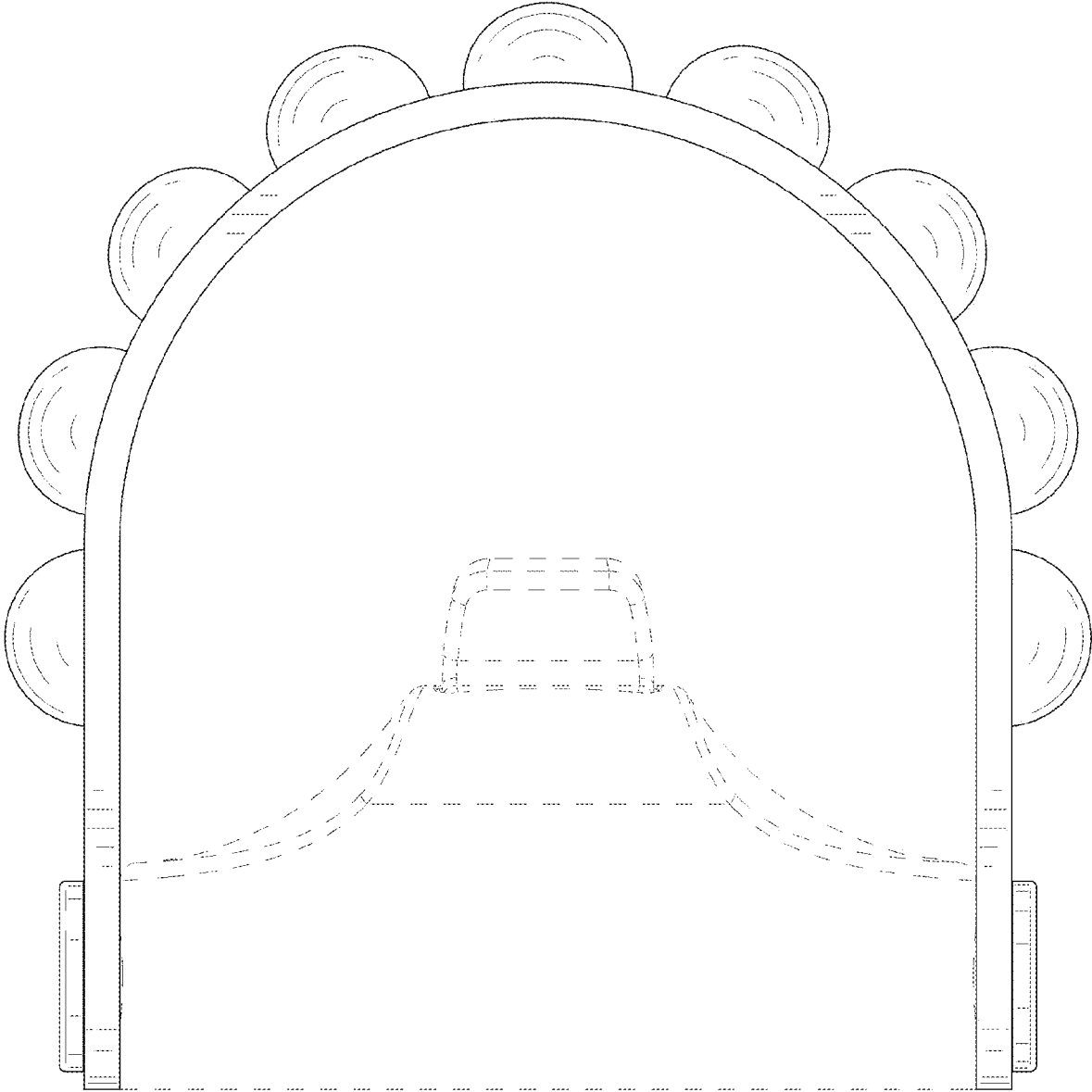


FIG. 4

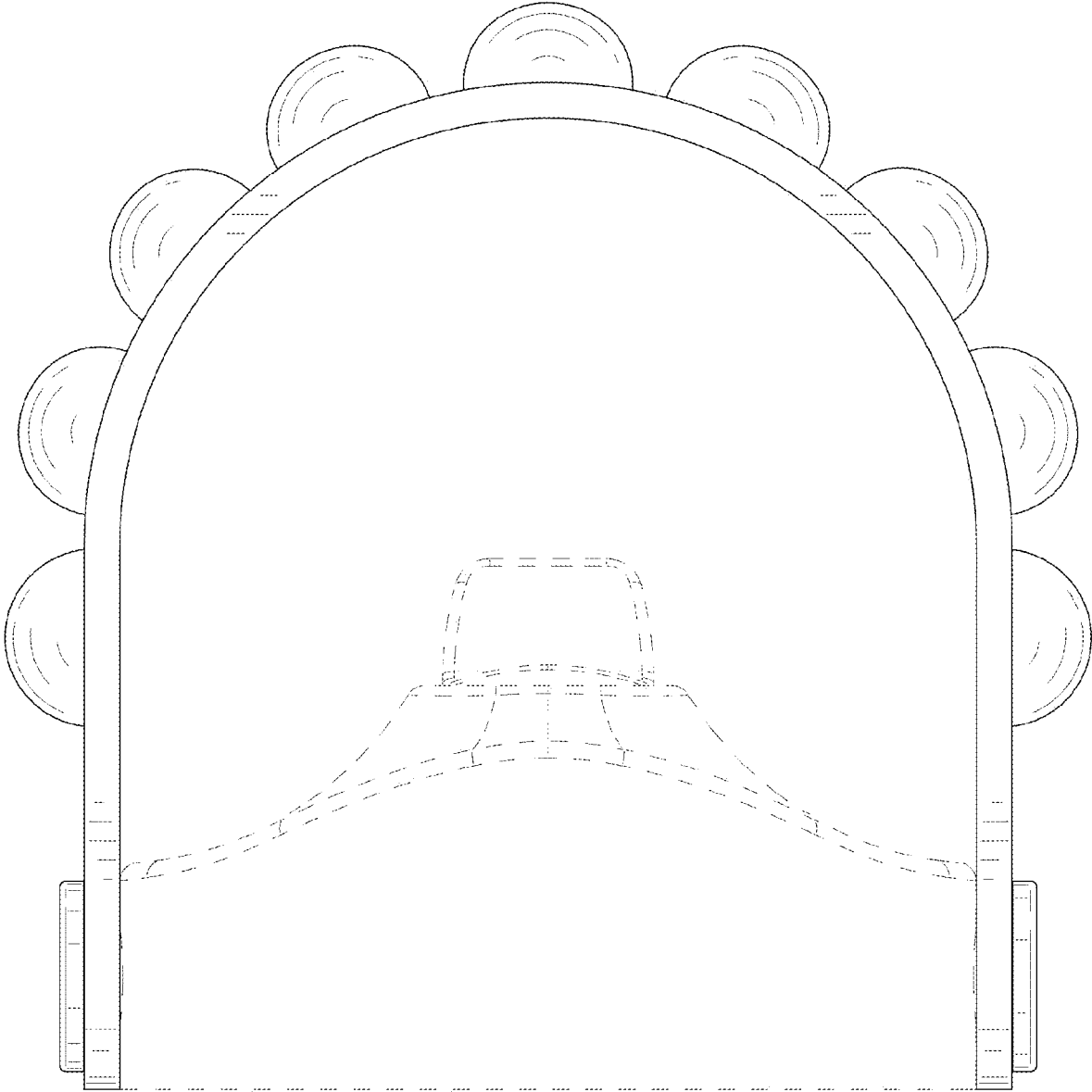


FIG. 5

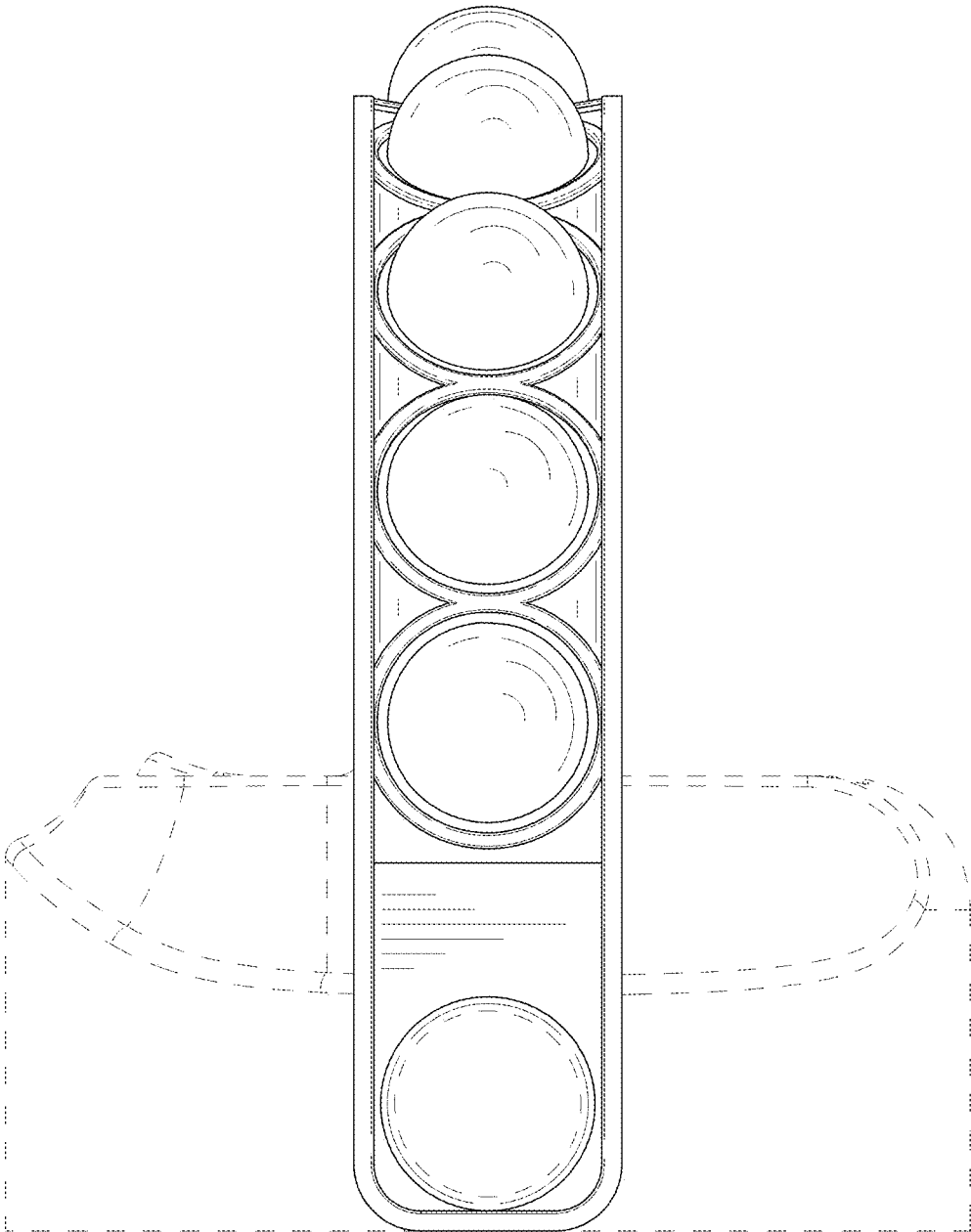


FIG. 6

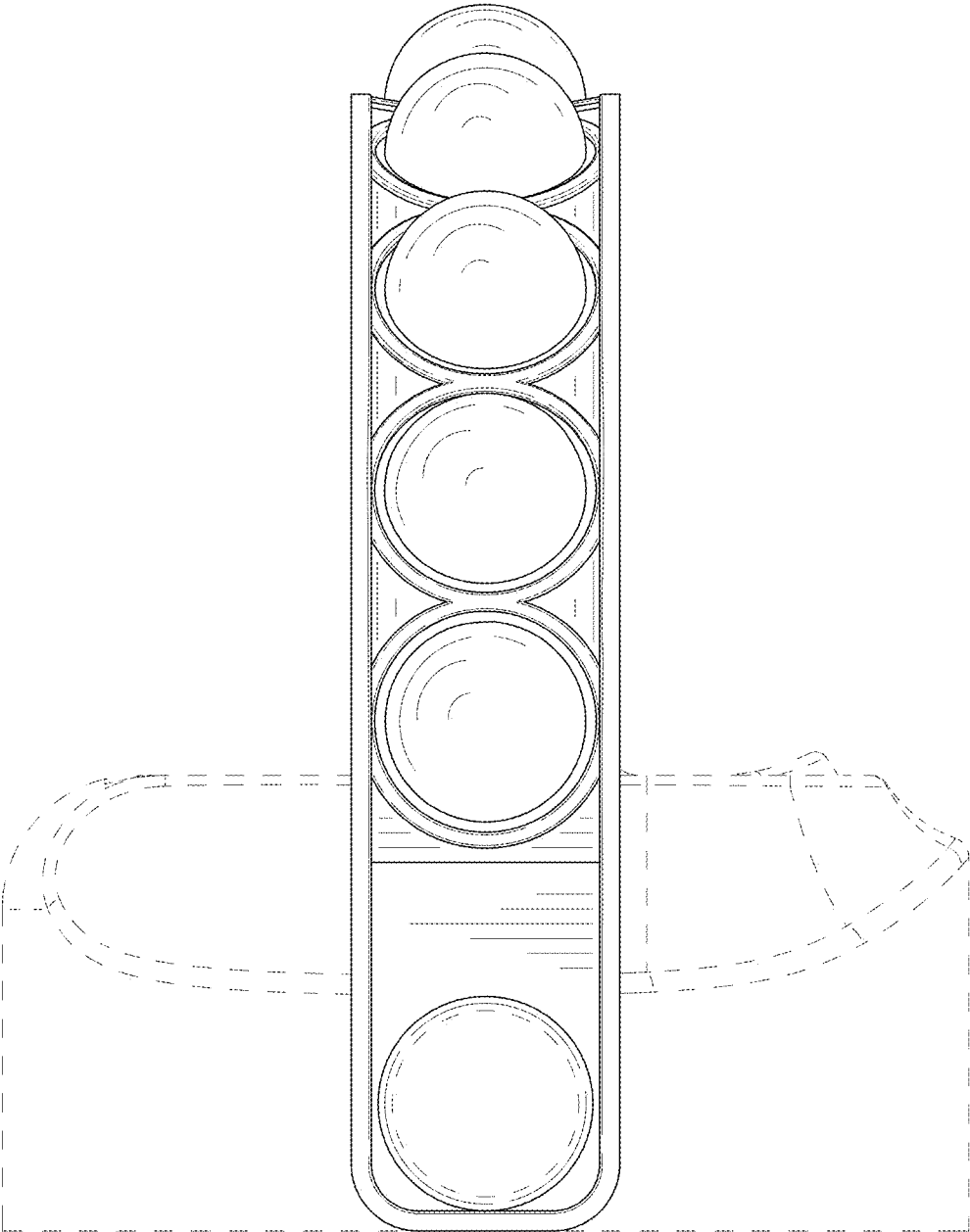


FIG. 7

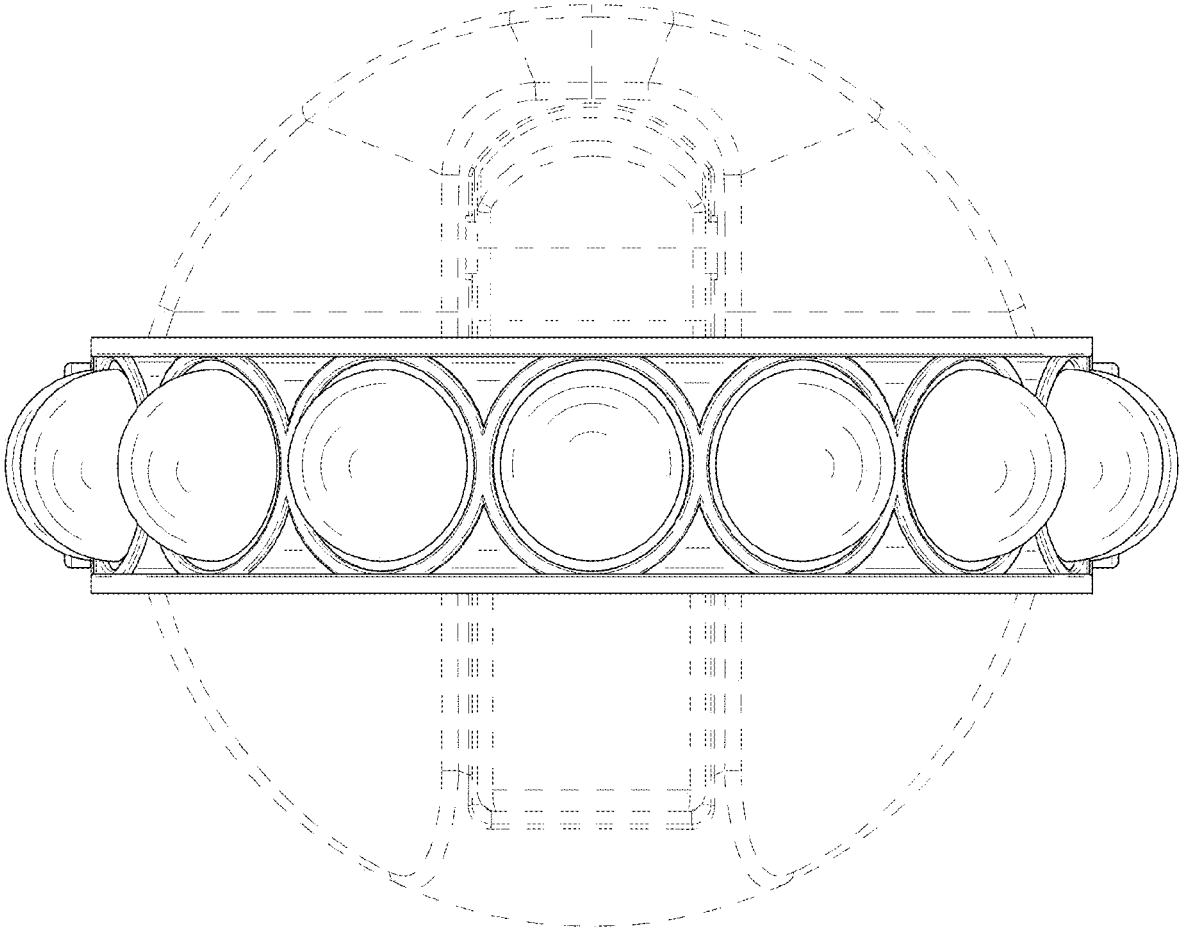


FIG. 8

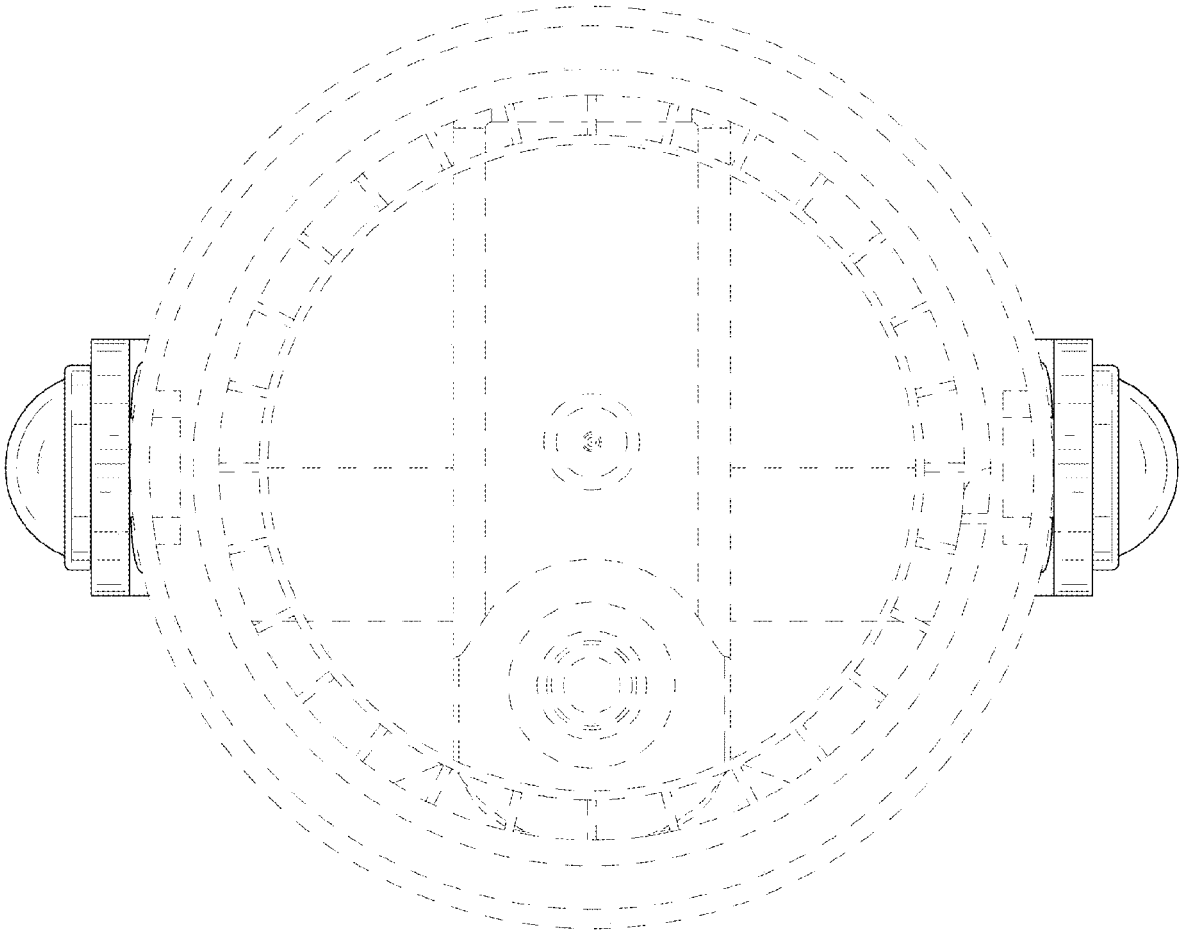


FIG. 9