



US00D938542S

(12) **United States Design Patent**
Strandén et al.

(10) **Patent No.:** **US D938,542 S**

(45) **Date of Patent:** **** Dec. 14, 2021**

- (54) **ACCESSORY FOR A RIFLE**
- (71) Applicant: **BEARPROOF AB**, Hammaro (SE)
- (72) Inventors: **Henrik Strandén**, Hammaro (SE);
Jonas Lännbjör, Hammaro (SE)
- (**) Term: **15 Years**
- (21) Appl. No.: **35/510,542**
- (22) Filed: **Jun. 17, 2020**
- (80) **Hague Agreement Data**
Int. Filing Date: **Jun. 17, 2020**
Int. Reg. No.: **DM/210590**
Int. Reg. Date: **Jun. 17, 2020**
Int. Reg. Pub. Date: **Oct. 16, 2020**
- (51) **LOC (13) Cl.** **22-01**
- (52) **U.S. Cl.**
USPC **D22/108**
- (58) **Field of Classification Search**
USPC D22/100, 101, 107, 108, 109, 110, 111
CPC F41C 23/00
See application file for complete search history.

D309,002	S *	7/1990	Southard	D22/108
7,124,529	B1 *	10/2006	Havelka, Jr.	F41C 23/08
					42/74
D707,323	S *	6/2014	Claeys	D22/108
D742,470	S *	11/2015	Battaglia	D22/108
D753,782	S *	4/2016	Vazquez	D22/108
D819,769	S *	6/2018	Stevens	D22/108
D823,980	S *	7/2018	Stevens	D22/108
D836,746	S *	12/2018	Tyrone	D22/108
D844,736	S *	4/2019	Tipton	D22/108
D874,603	S *	2/2020	Tipton	D22/108
D883,415	S *	5/2020	Noonan	D22/108
D905,191	S *	12/2020	Kronengold	D22/108
2008/0236016	A1 *	10/2008	Fitzpatrick	F41C 23/14
					42/71.01
2012/0110884	A1 *	5/2012	Criswell	F41C 23/14
					42/73
2014/0283428	A1 *	9/2014	Slater	F41C 23/14
					42/71.01

* cited by examiner

Primary Examiner — Mojtaba Tehrani

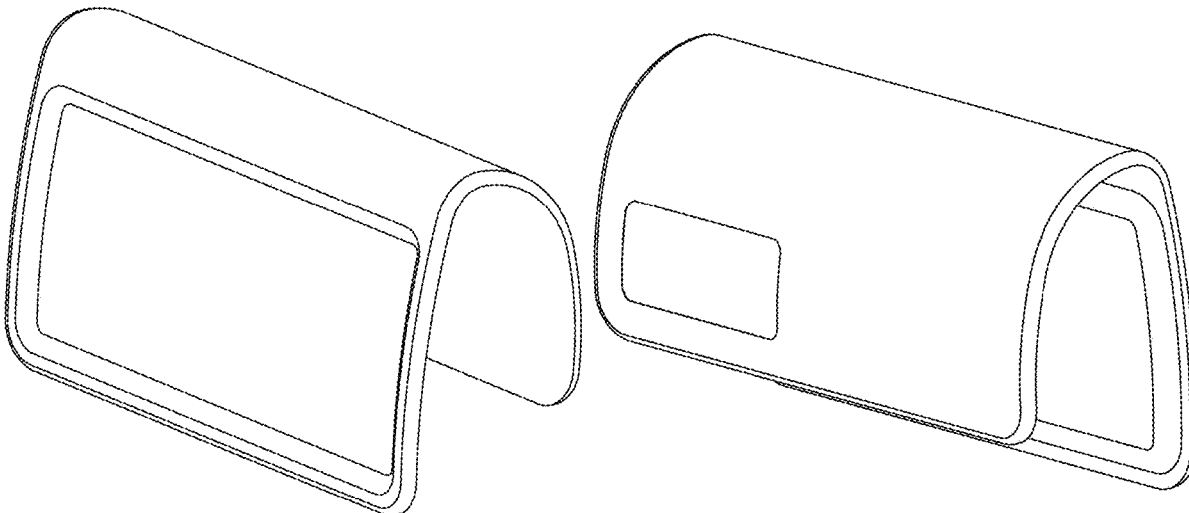
(57) **CLAIM**

The ornamental design for an accessory for a rifle, as shown and described.

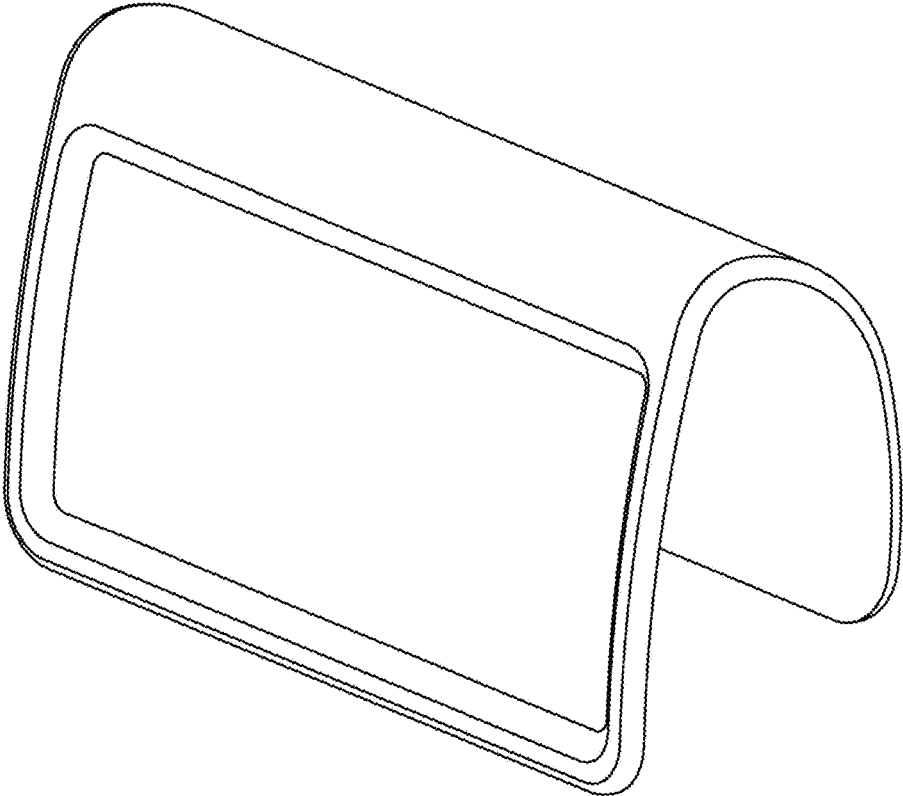
DESCRIPTION

- 1. Accessory for a rifle
- 1.1** : Perspective
- 1.2** : Perspective
- 1.3** : Front
- 1.4** : Back
- 1.5** : Left
- 1.6** : Right
- 1.7** : Top
- 1.8** : Bottom

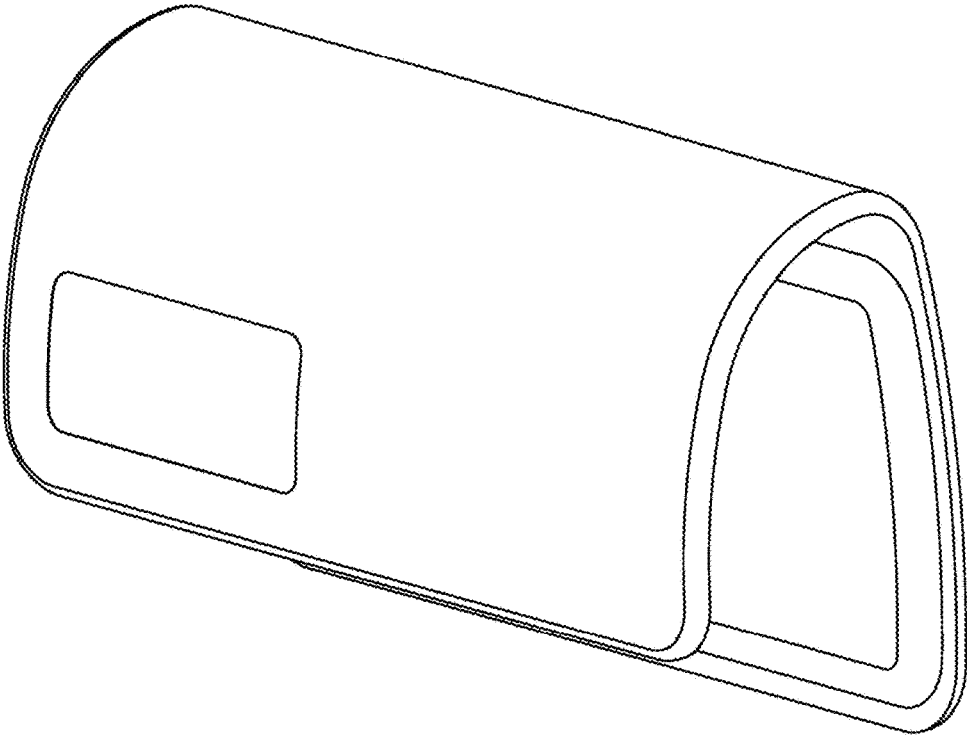
1 Claim, 8 Drawing Sheets



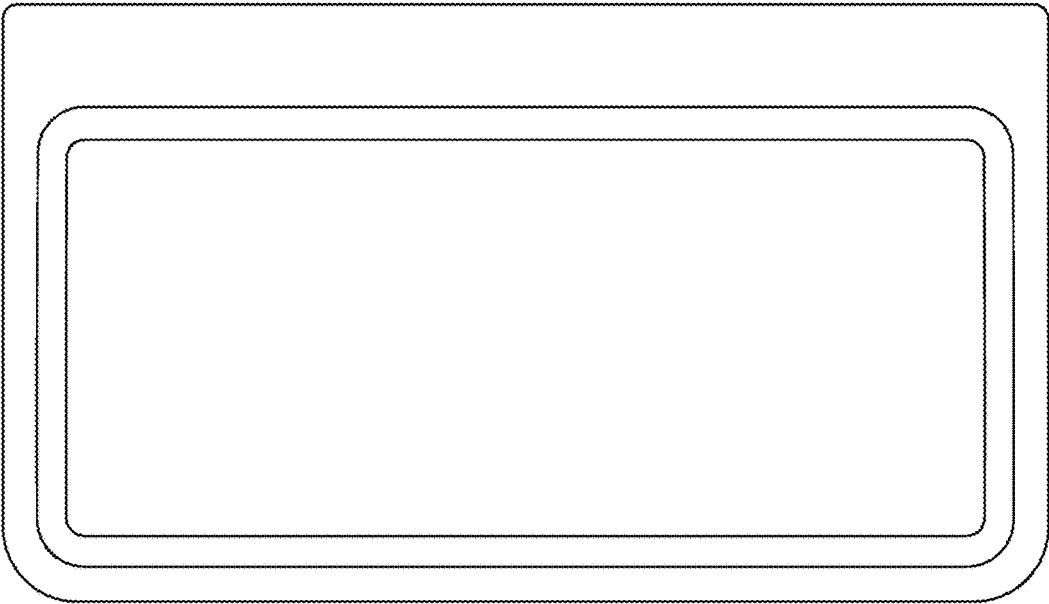
1.1



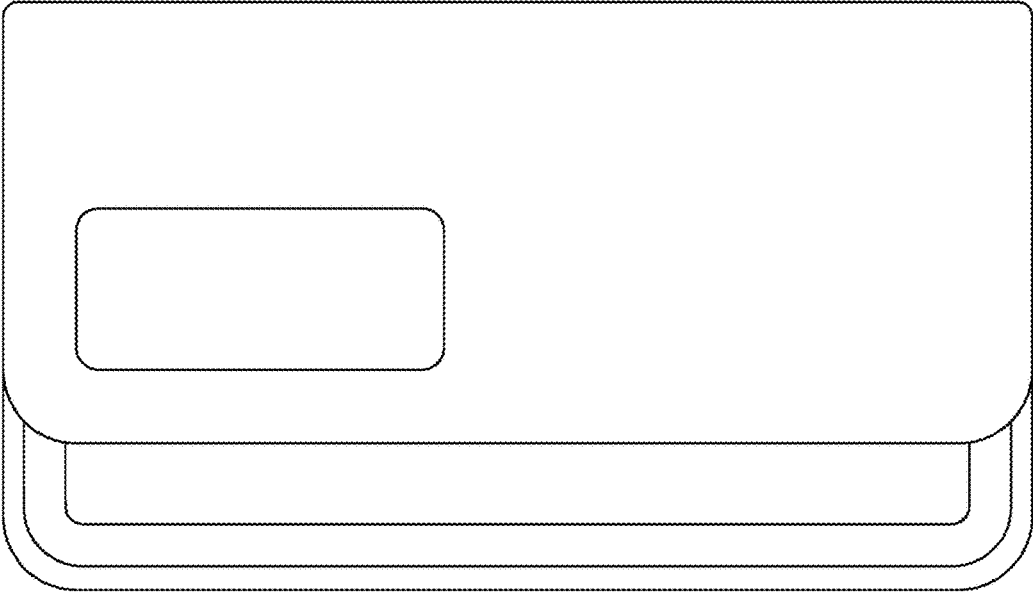
1.2



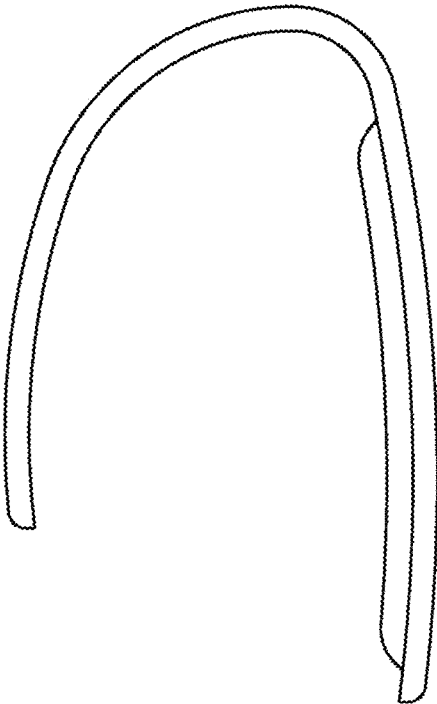
1.3



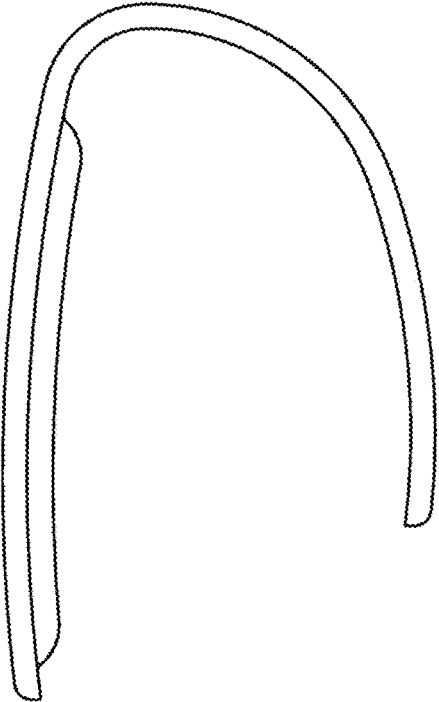
1.4



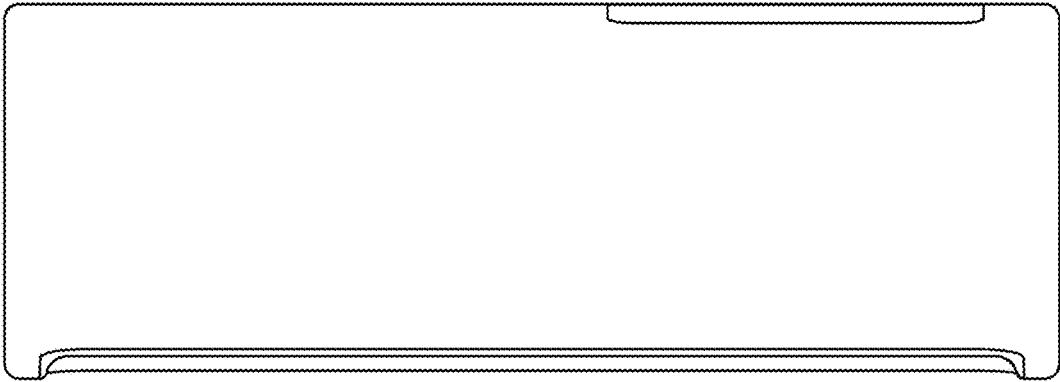
1.5



1.6



1.7



1.8

