



US00D988440S

(12) **United States Design Patent**
Blum

(10) **Patent No.:** **US D988,440 S**

(45) **Date of Patent:** **** Jun. 6, 2023**

(54) **FRAME FOR A TREADMILL**

(71) Applicant: **Life Fitness, LLC**, Rosemont, IL (US)

(72) Inventor: **Matthew P. Blum**, Chicago, IL (US)

(73) Assignee: **Life Fitness, LLC**, Rosemont, IL (US)

(**) Term: **15 Years**

(21) Appl. No.: **29/750,795**

(22) Filed: **Sep. 16, 2020**

(51) **LOC (14) Cl.** **21-02**

(52) **U.S. Cl.**
USPC **D21/686**

(58) **Field of Classification Search**
USPC D21/668, 669, 686, 694, 662; D6/310,
D6/328, 329; D34/27
See application file for complete search history.

(56) **References Cited**

U.S. PATENT DOCUMENTS

D420,073	S *	2/2000	Alessandri	D21/691
D437,370	S *	2/2001	Webber	D21/694
D437,371	S *	2/2001	Webber	D21/694
D494,234	S *	8/2004	Sporie	D21/669
D526,692	S *	8/2006	Ayton	D21/694
D667,471	S *	9/2012	Harder	D15/127
8,690,738	B1	4/2014	Astilian		
9,039,580	B1	5/2015	Bayerlein et al.		
9,352,188	B2	5/2016	Astilean		
10,010,748	B1 *	7/2018	Weinstein	A63B 22/0285
10,238,911	B2	3/2019	Bayerlein et al.		
10,561,883	B2	2/2020	Bayerlein et al.		
10,561,884	B2	2/2020	Bayerlein et al.		
10,668,315	B1	6/2020	Nelson et al.		
D910,127	S *	2/2021	Speas	D21/691
D929,511	S *	8/2021	Chen	D21/669

D930,089	S *	9/2021	Oblamski	D21/669
2012/0040802	A1 *	2/2012	Dibble	A63B 22/06 482/54
2012/0296244	A1 *	11/2012	Ceoldo	A61H 23/0263 601/46

(Continued)

FOREIGN PATENT DOCUMENTS

CN	304684380	6/2018
CN	202030552030	* 9/2020

(Continued)

OTHER PUBLICATIONS

In10ct, announced 2020 [online], [site visited Nov. 21, 2022]. Available on internet, URL: <https://www.amazon.com/IN10CT-Health-Runner/dp/B07H7XXZNG/ref> (Year: 2020).*

(Continued)

Primary Examiner — Khawaja Anwar
Assistant Examiner — Julice Seung Eun Oum
(74) *Attorney, Agent, or Firm* — Andrus Intellectual Property Law, LLP

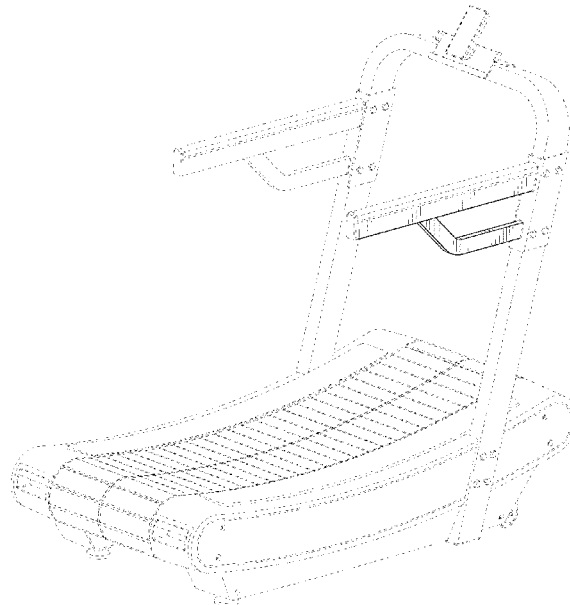
(57) **CLAIM**

The ornamental design for a frame for a treadmill, as shown and described.

DESCRIPTION

FIG. 1 is a perspective view of a frame for a treadmill showing my new design.
FIG. 2 is a side view thereof.
FIG. 3 is an opposite side view thereof.
FIG. 4 is a rear view thereof.
FIG. 5 is a front view thereof.
FIG. 6 is a top view thereof; and,
FIG. 7 is a bottom view thereof.
The broken lines in the drawings illustrate portions of the frame that are not part of the claimed design.

1 Claim, 7 Drawing Sheets



(56)

References Cited

U.S. PATENT DOCUMENTS

2016/0144224 A1* 5/2016 Dalebout A63B 22/0285
482/54
2017/0312566 A1* 11/2017 Chang A63B 22/0285
2017/0312567 A1* 11/2017 Chang A63B 22/0285
2018/0111018 A1* 4/2018 Lee A63B 22/0285
2018/0140896 A1* 5/2018 Chen A63B 69/0062
2019/0009128 A1* 1/2019 Yoo A63B 22/0285
2019/0083844 A1 3/2019 Bayerlein et al.
2019/0217153 A1 7/2019 Bayerlein et al.
2019/0314674 A1* 10/2019 Chen A63B 22/20
2020/0147447 A1* 5/2020 Chiu A63B 21/015

FOREIGN PATENT DOCUMENTS

KR 3009411420000 1/2018
WO 2017192628 11/2017

OTHER PUBLICATIONS

A document on the Amazon website entitled "Think Fitness and Sports 4 in 1 Manual Treadmill with Motorized Power Running Fitness Jogging Incline Machine," which was published on Feb. 24, 2018. The website: [https://www.amazon.in/Think Fitness Sports Treadmill Motorized/dp/B07B2JW68C](https://www.amazon.in/Think-Fitness-Sports-Treadmill-Motorized/dp/B07B2JW68C).

Examination Report issued in corresponding Taiwan Design Application No. 110301019, dated Apr. 4, 2022.

Examination Report issued in corresponding Taiwan Design Application No. 110301019, dated Jul. 13, 2021.

Examination Report issued in corresponding Taiwan Design Application No. 110305351, dated Oct. 26, 2021.

* cited by examiner

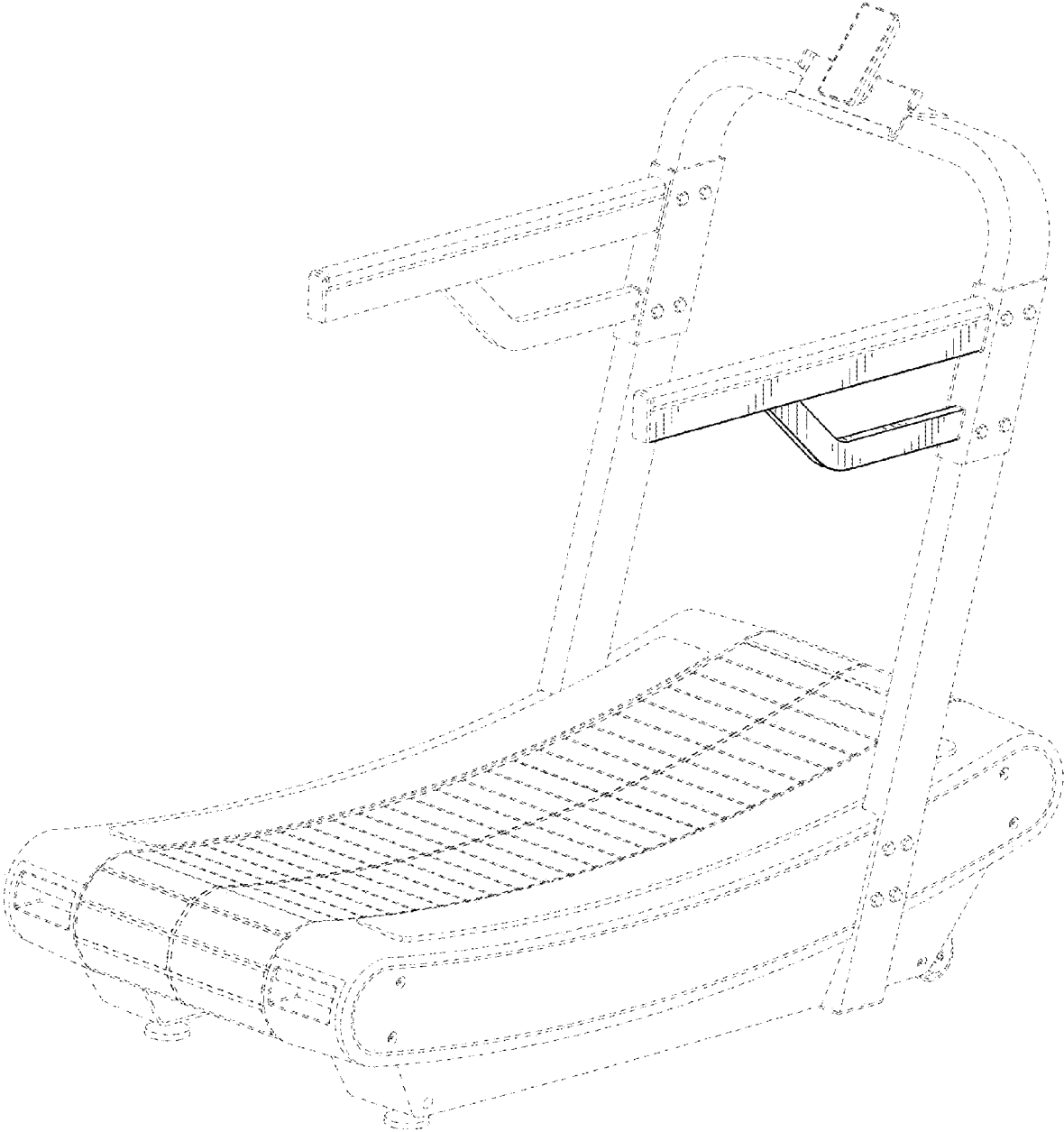


FIG. 1

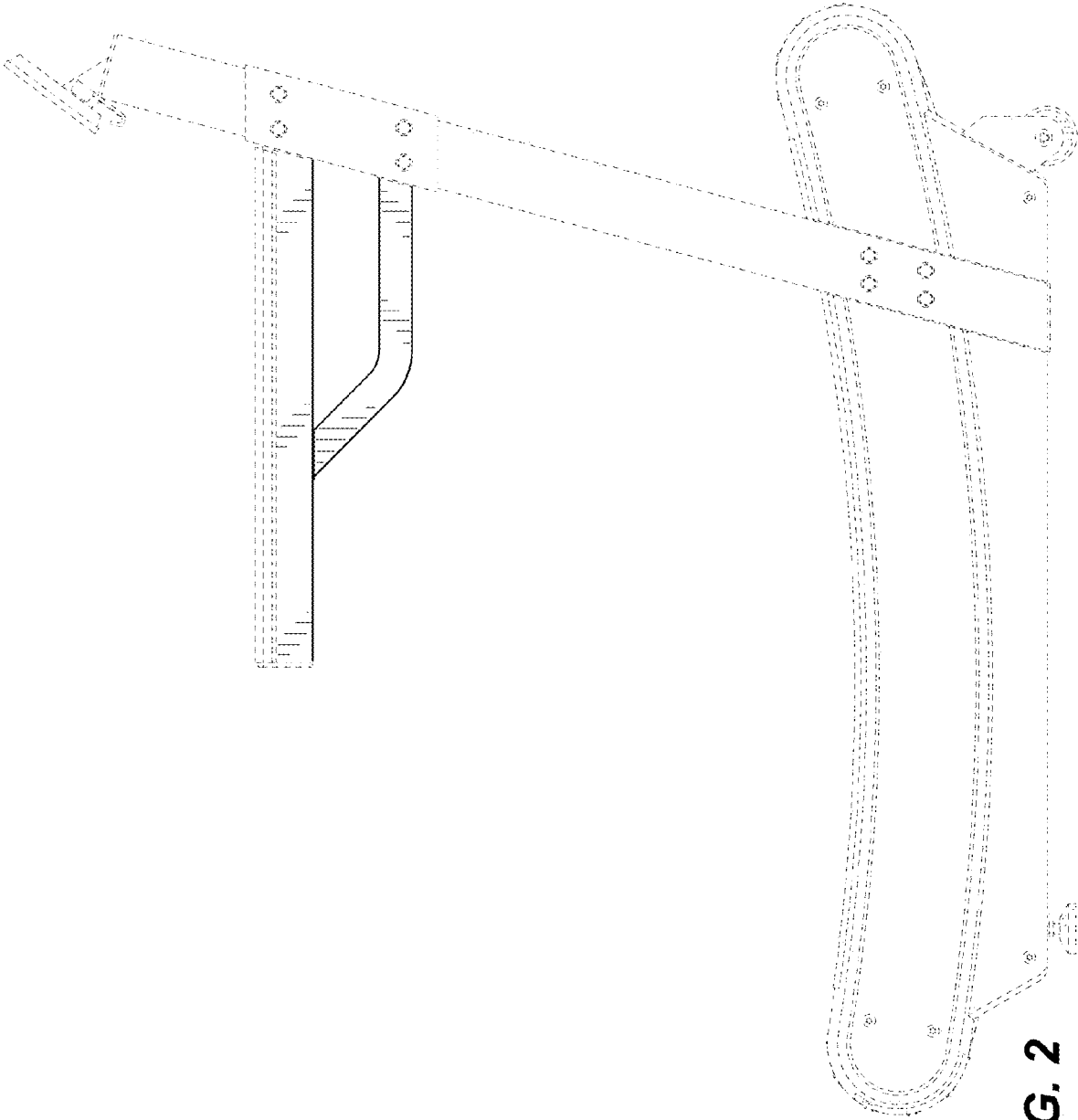


FIG. 2

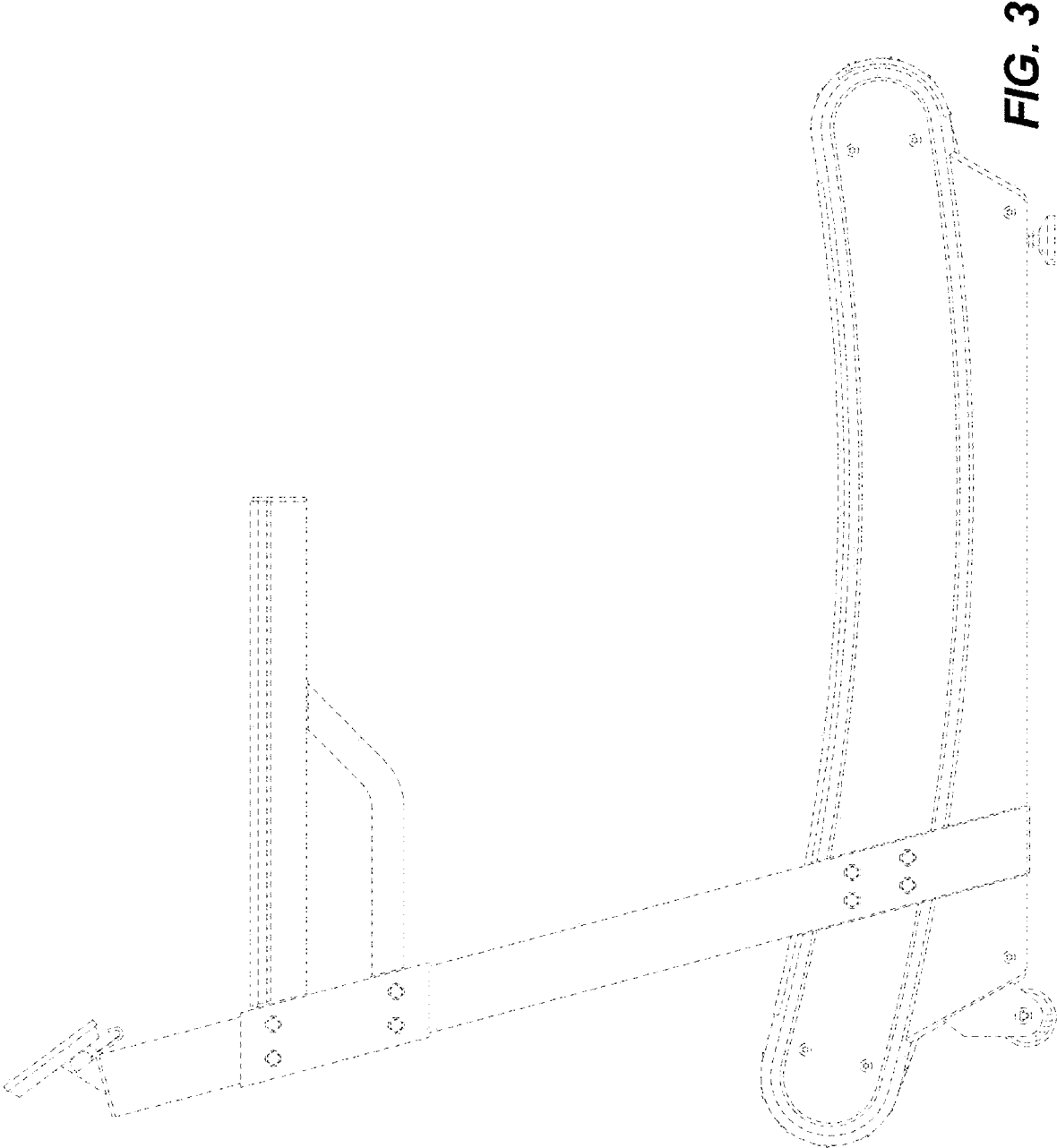


FIG. 3

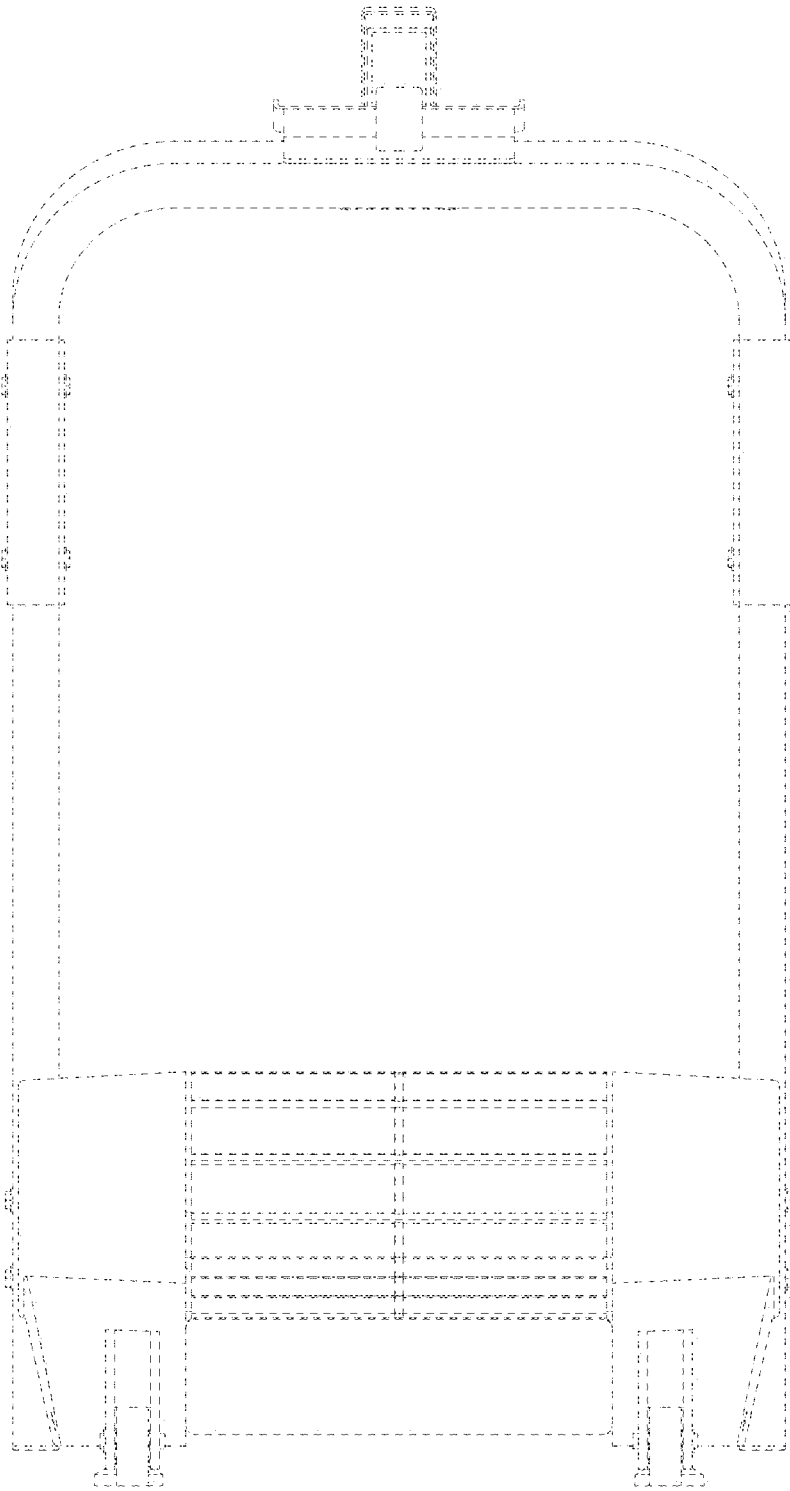


FIG. 4

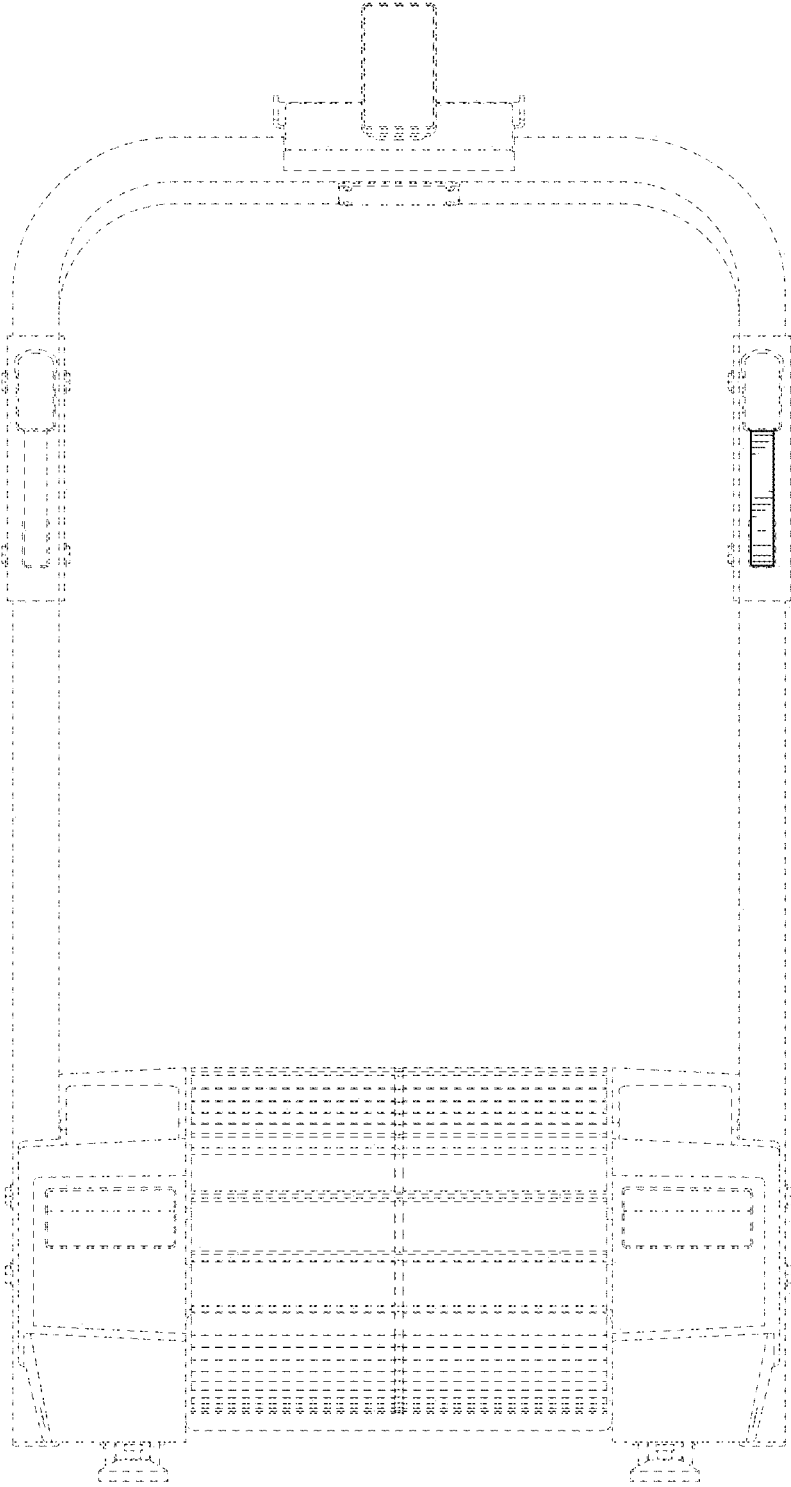


FIG. 5

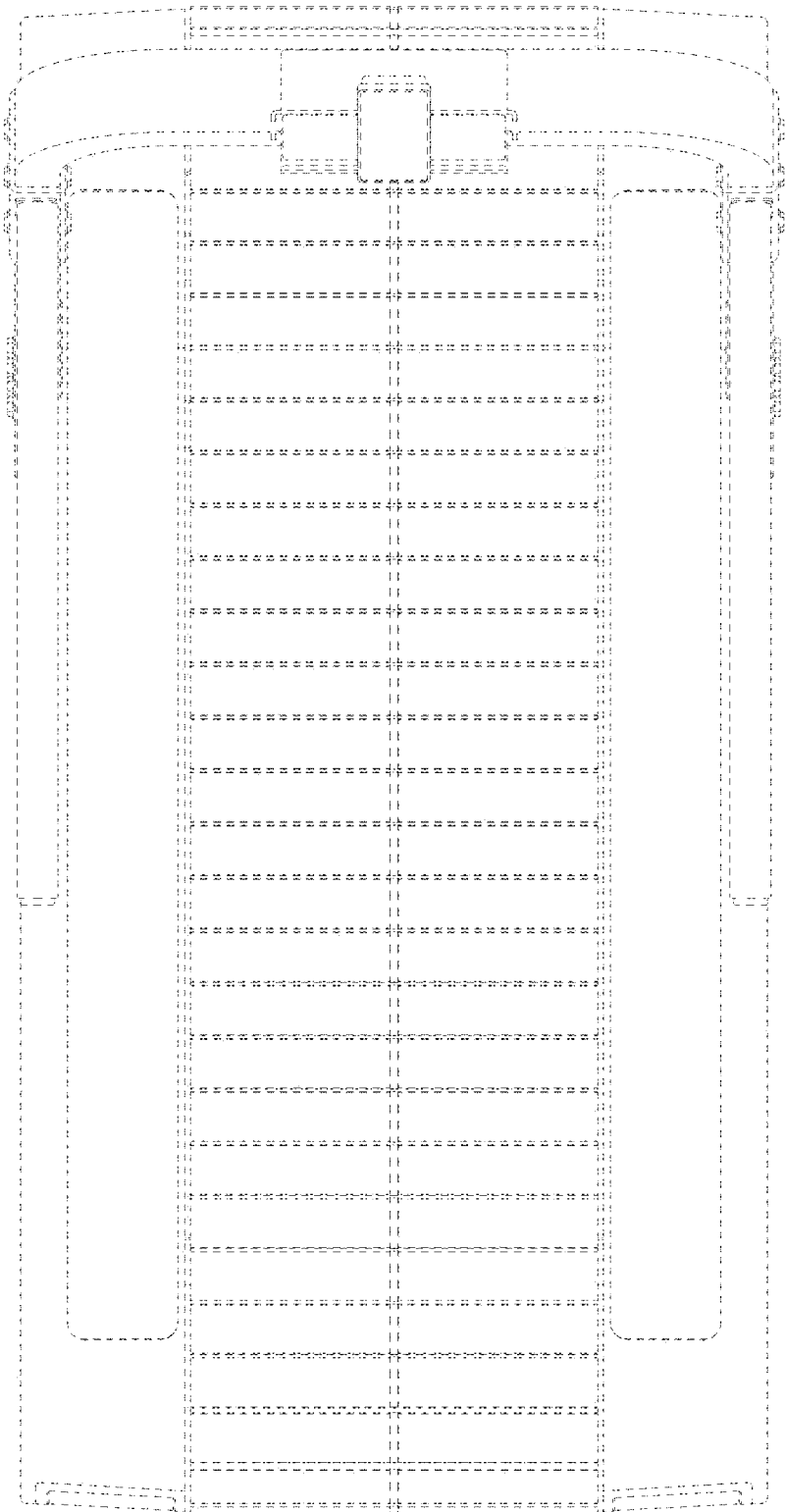


FIG. 6

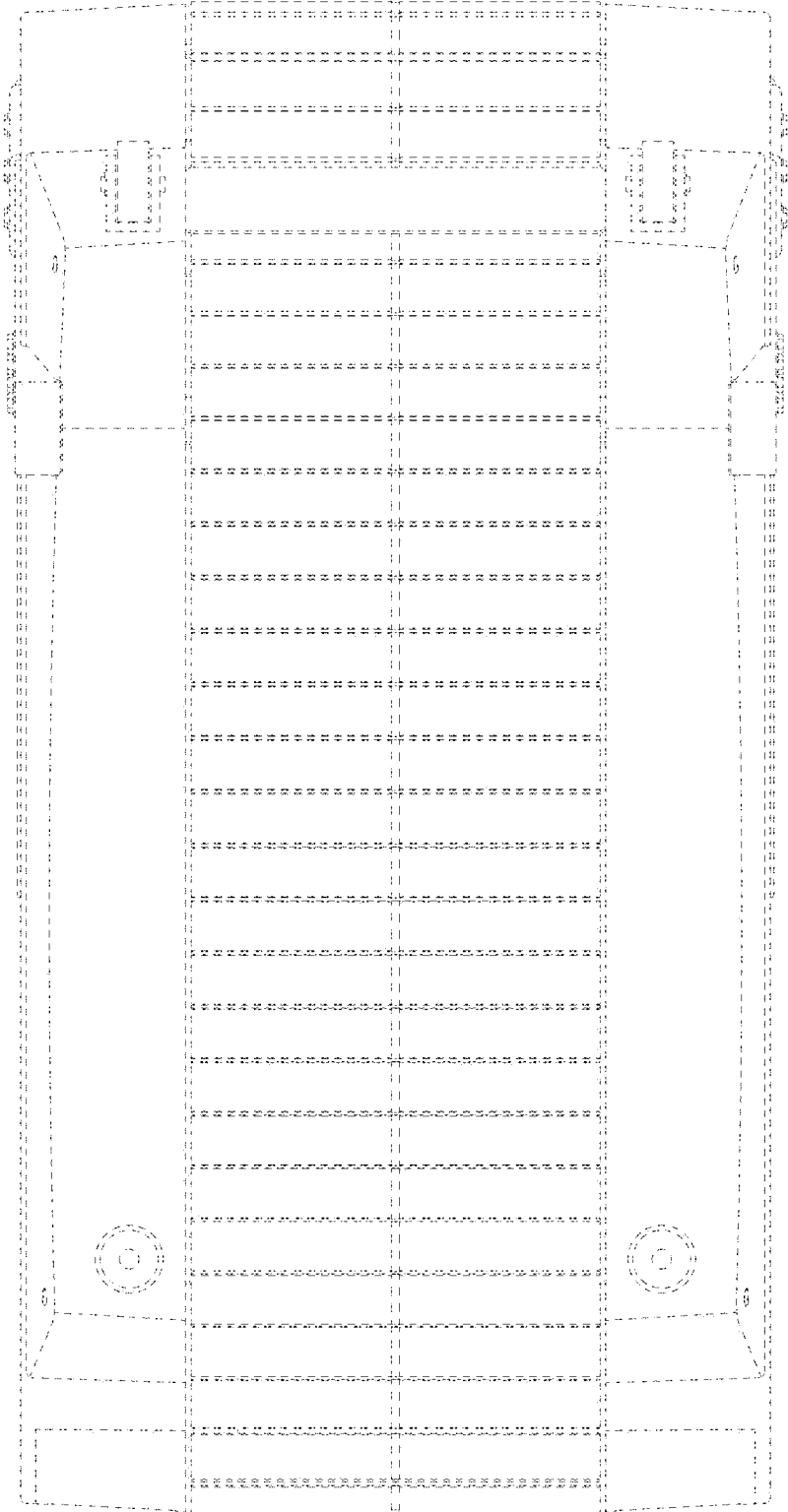


FIG. 7