



US00D971724S

(12) **United States Design Patent** (10) **Patent No.:** **US D971,724 S**
Stevenson et al. (45) **Date of Patent:** **** Dec. 6, 2022**

(54) **CONTAINER WITH CUP CONNECTOR**

(71) Applicant: **F.D.S. Manufacturing Company,**
Pomona, CA (US)
(72) Inventors: **Kevin Tyrel Stevenson,** Upland, CA
(US); **Michael Cecil Francis Newman,**
Ontario, CA (US); **Robert Symons,**
Santa Ana, CA (US); **Steve Kwon,** San
Diego, CA (US)

(73) Assignee: **F.D.S. Manufacturing Company,**
Pomona, CA (US)

(**) Term: **15 Years**

(21) Appl. No.: **29/713,551**

(22) Filed: **Nov. 16, 2019**

(51) **LOC (13) Cl.** **09-03**

(52) **U.S. Cl.**
USPC **D9/424; D9/761**

(58) **Field of Classification Search**

USPC D3/202; D7/509, 510, 511, 387, 391,
D7/392, 392.1, 393, 396, 396.1, 396.2,
D7/397, 398, 400, 414; D9/434, 435,
D9/436, 438, 439, 443, 445, 447, 451,
D9/452, 453, 454, 455, 499, 686, 690;
D8/330, 331, 336, 337, 339, 342, 343,
D8/382; D23/259, 260, 261, 265;
D24/127, 162; D12/202, 604-607
CPC B65D 41/02; B65D 41/10; B65D 41/62;
B65D 41/46; B65D 41/465; B65D
2251/009; B65D 2251/0015; B65D 51/20;
B65D 17/02; B65D 2401/20; B65D
2251/0071; B65D 2251/20; B65D 1/00;
B65D 1/02; B65D 1/10; B65D 1/46;
B65D 2585/56; B65D 2585/545; B65D
50/60; A63B 39/025; A63B 2102/02;
E05B 55/00; Y10T 292/1047; Y10T
292/1089; Y10T 292/865; Y10T 292/097;
Y10T 292/0938; Y10T 292/0834; Y10T
292/1014; Y10T 292/0959; A61J 1/00;
A61J 1/1412

See application file for complete search history.

(56) **References Cited**

U.S. PATENT DOCUMENTS

3,401,825 A * 9/1968 Weiss B65D 43/021
220/793
D243,231 S * 2/1977 Smith 229/404
(Continued)

OTHER PUBLICATIONS

Jarware Snack Pack: Announced Jan. 28, 2022. Site Visited (Jun. 23,
2022). Available from Internet URL: https://www.amazon.com/Jarware-Snack-Mouth-Sized-Mason/dp/B01N7XDMVR/ref=asc_df_B01N7XDMVR/?tag=hyprod-20&linkCode=df0&hvadid=198060101726&hvpos=&hvnetw=g&hvrnd=8301452452791442706&hvpone=&hvpstwo=&hvqmt=&hvdev=c&hvdvcmdl=&hvlocint=&hvlcphy=1027027&hvtargid=pla-379235858364&psc=1.*

(Continued)

Primary Examiner — Catherine S Posthauer

(57) **CLAIM**

The ornamental design for a container with cup connector,
substantially as shown and described.

DESCRIPTION

FIG. 1 is a top perspective view of a cup connector, showing
our new design, showing the cup connector independent
from the container, to show aspects of the design not visible
when combined;

FIG. 2 is another top perspective view thereof;

FIG. 3 is a top view thereof;

FIG. 4 is a bottom view thereof;

FIG. 5 is a front view thereof;

FIG. 6 is a rear view thereof;

FIG. 7 is left side view thereof;

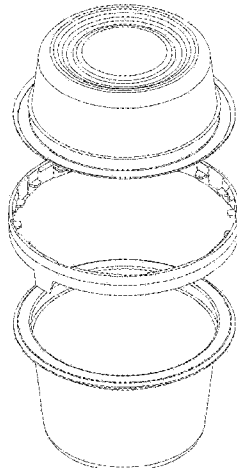
FIG. 8 is right side view thereof;

FIG. 9 is a top perspective view of a container with cup
connector;

FIG. 10 is a right-side view thereof; and,

FIG. 11 is an exploded perspective view thereof.

1 Claim, 11 Drawing Sheets



(56)

References Cited

U.S. PATENT DOCUMENTS

D256,558 S * 8/1980 Smith D9/454
 D279,037 S * 5/1985 Schuler D9/426
 5,249,704 A * 10/1993 Boetzkes B65D 55/0863
 215/256
 D354,681 S * 1/1995 Nolte D9/434
 5,377,861 A * 1/1995 Landis B65D 43/0212
 206/508
 D358,988 S * 6/1995 Nolte D9/434
 D365,519 S * 12/1995 Welch D9/454
 D528,432 S * 9/2006 Snedden D9/716
 D566,483 S * 4/2008 Tucker D7/629
 D583,238 S * 12/2008 Chen D9/453
 D612,208 S * 3/2010 Baker D7/402
 D637,481 S * 5/2011 Sellari D9/717
 D656,816 S * 4/2012 Glaser D9/425
 D666,905 S * 9/2012 Ramirez D9/424
 D688,945 S * 9/2013 Kim D9/452
 D697,814 S * 1/2014 Hopman D9/661
 D698,904 S * 2/2014 Milligan D23/262
 8,906,440 B2 * 12/2014 Otto A47J 31/0642
 426/433
 D726,929 S * 4/2015 Wainwright D24/224
 D734,985 S * 7/2015 Furia D9/425
 D739,234 S * 9/2015 Antal, Sr. D9/445
 D752,975 S * 4/2016 Gatto D9/434
 D776,296 S * 1/2017 Wainwright D24/224
 D834,686 S * 11/2018 Yamada D23/261
 D838,585 S * 1/2019 Kui D9/428
 D845,705 S * 4/2019 Simonazzi D7/400
 D846,094 S * 4/2019 Blum D23/262
 D861,480 S * 10/2019 Barrett D9/428
 D876,236 S * 2/2020 Griffis D9/454
 D888,203 S * 6/2020 Blum D23/262
 D891,923 S * 8/2020 Lin D9/452

D896,648 S * 9/2020 Nguyen-Demary D24/231
 D899,252 S * 10/2020 Wang D9/454
 D911,155 S * 2/2021 Kondo D8/382
 D921,162 S * 6/2021 Colvin D23/206
 D934,683 S * 11/2021 Stevenson D9/455
 D936,416 S * 11/2021 Yang D7/400
 2007/0262077 A1 * 11/2007 Stevens B65D 51/20
 220/212
 2016/0257453 A1 * 9/2016 Myer B65D 43/0239

OTHER PUBLICATIONS

Parfait Cups: Announced Sep. 1, 2021 (online). Site Vistied [Jun. 23, 2022]. Available from Internet URL: https://www.amazon.com/50Sets-Plastic-Parfait-Insert-Dessert/dp/B09F662FP5/ref=pd_day0fbt_img_sctl_1/131-8039134-8767045?pd_rd_w=sE7bM&content-id=amzn1_.sym.28060bf9-0745-4e32-a449-e95381c8ca7a&pf_rd_p=28060bf9-0745-4e32-a449-e95381c8ca7a&pf_rd_r=R2RV9XSB4RCH3ZABR2H4&pd_rd_wg=B8A9f&pd_rd_r=3bd02d6a-5f3f-4023-a89d-2.*
 Saida To Go Cups: Announced [Feb. 15, 2022]. Site Visited [Jun. 23, 2022]. Available from Internet URL: https://www.amazon.com/Breakfast-Topping-Overnight-Container-Colorful/dp/B09SFFQZNT/ref=sr_1_38?keywords=reusable%2Bparfait%2Bcups%2Bwith%2Bblids&qid=1656014056&srefix=reusable%2Bparfait%2Bcups%2Caps%2C66&sr=8-38&th=1.*
 HeNai Petwekan On the Go Containers: Announced [Apr. 2, 2021]. Site Visited [Jun. 23, 2022]. Available from Internet URL: https://www.amazon.com/PETWEKAN-Breakfast-Cups%EF%BC%8CYogurt-Portable-Container/dp/B091FGQZ15/ref=sr_1_64?keywords=reusable+parfait+cups+with+lids&qid=1656014295&srefix=reusable+parfait+cups%2Caps%2C66&sr=8-64.*

* cited by examiner

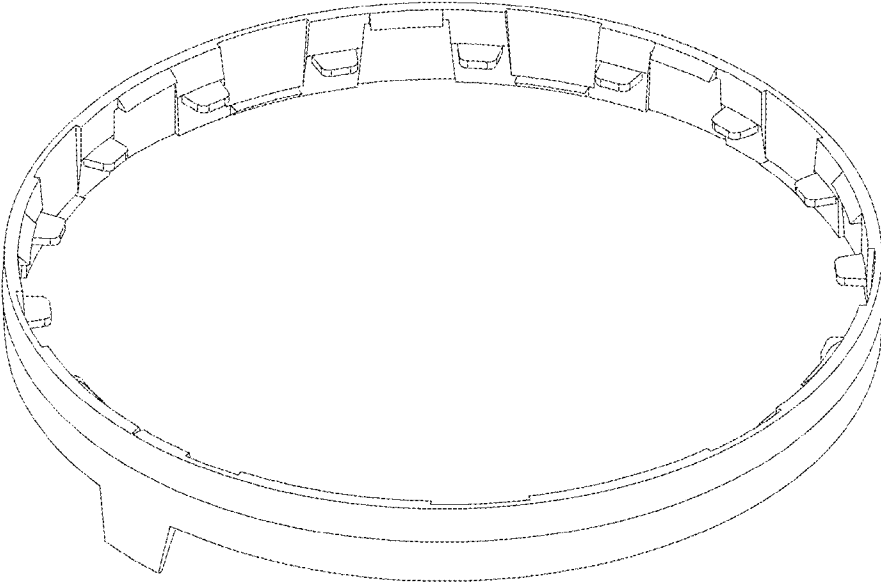


FIG. 1

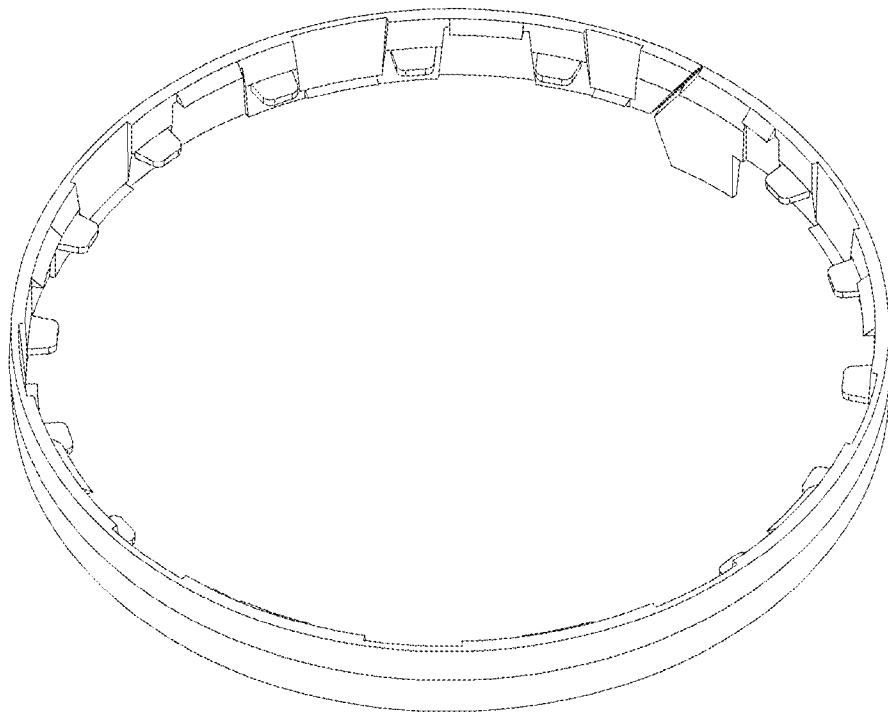


FIG. 2

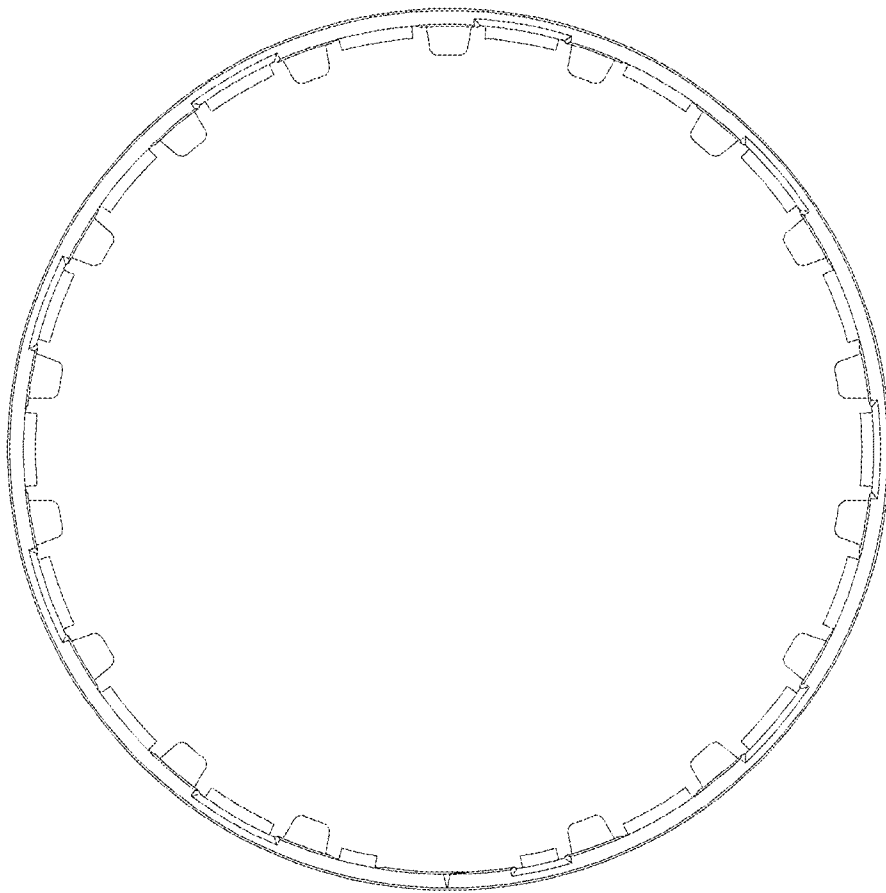


FIG. 3

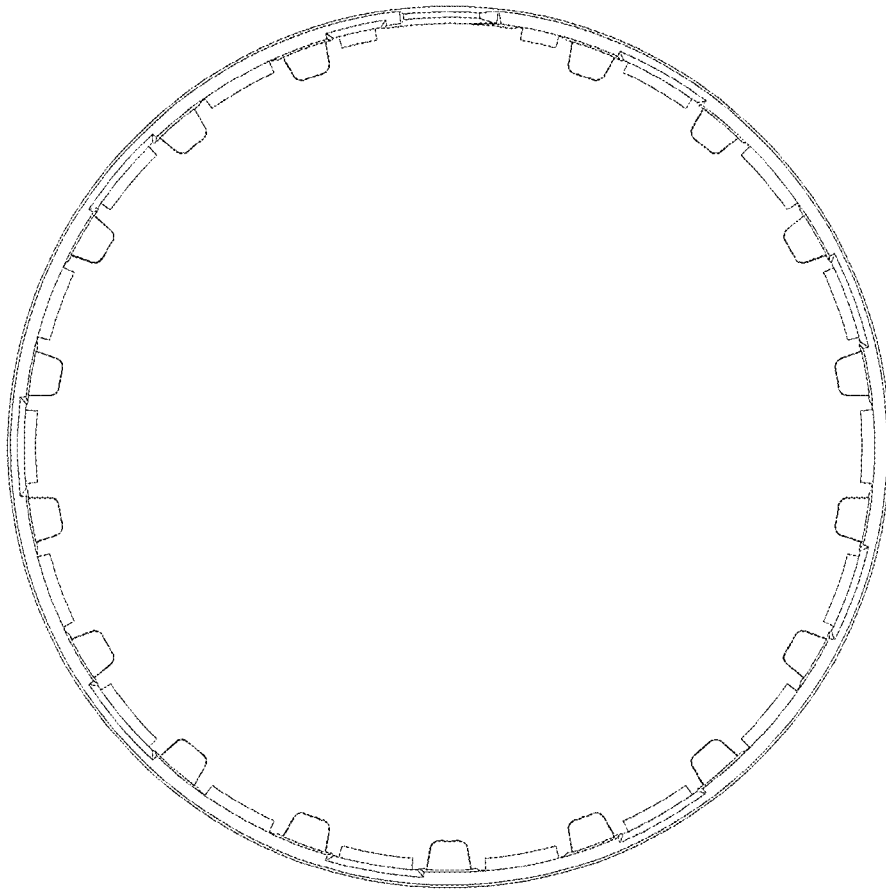


FIG. 4

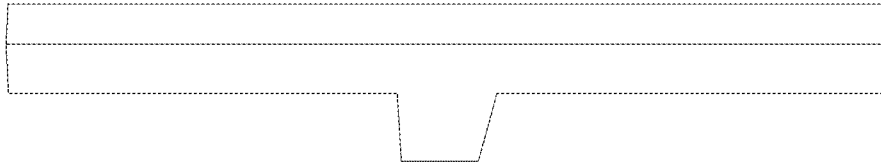


FIG. 5

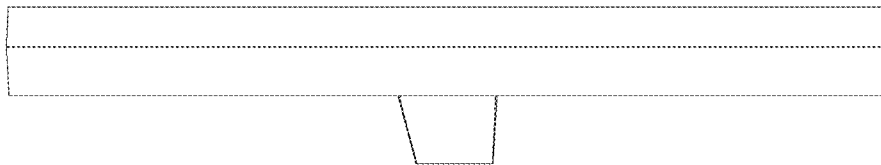


FIG. 6

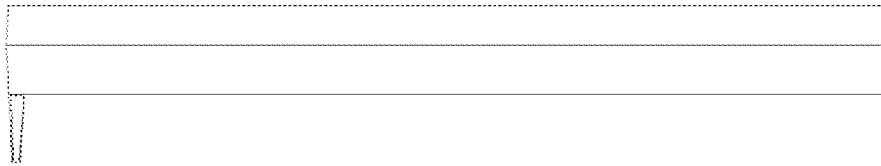


FIG. 7

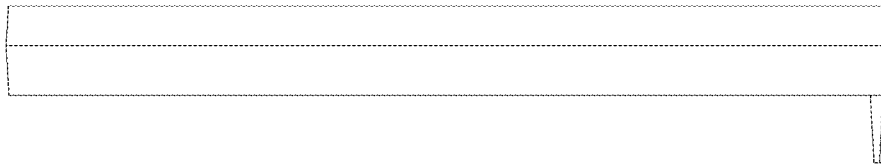


FIG. 8

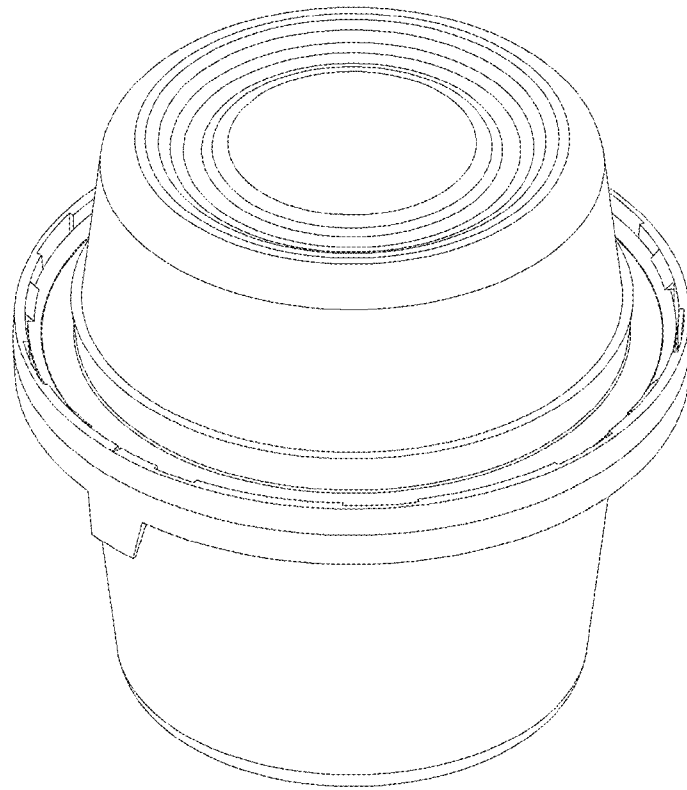


FIG. 9

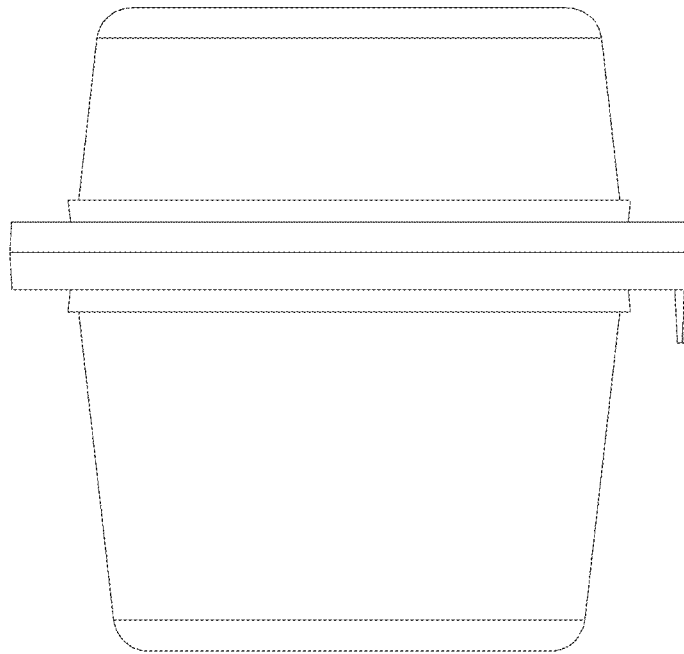


FIG. 10

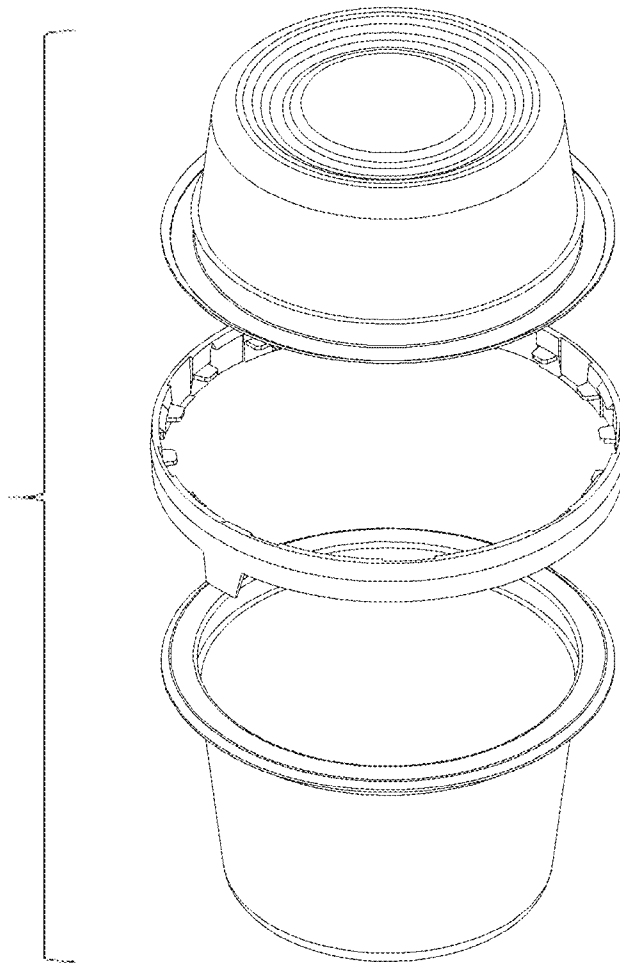


FIG. 11