



US00D767137S

(12) **United States Design Patent**
Lin

(10) **Patent No.:** **US D767,137 S**

(45) **Date of Patent:** **** Sep. 20, 2016**

(54) **INTERVERTEBRAL IMPLANT**

(71) Applicant: **NuVasive, Inc.**, San Diego, CA (US)

(72) Inventor: **Erika Lin**, San Diego, CA (US)

(73) Assignee: **NuVasive, Inc.**, San Diego, CA (US)

(**) Term: **15 Years**

(21) Appl. No.: **29/547,760**

(22) Filed: **Dec. 7, 2015**

Related U.S. Application Data

(63) Continuation of application No. 29/469,512, filed on Oct. 10, 2013, now Pat. No. Des. 745,159.

(51) **LOC (10) Cl.** **24-02**

(52) **U.S. Cl.**
USPC **D24/155**

(58) **Field of Classification Search**

USPC D24/155, 156
CPC A61F 2/4611; A61F 2/442; A61F 2/447;
A61F 2220/0025; A61F 2310/00023; A61F
2310/00017; A61F 2002/4475; A61F
2002/30841; A61F 2002/2835; A61F
2002/30904; A61F 2002/30785; A61F
2002/443; A61F 2002/30578

See application file for complete search history.

(56) **References Cited**

U.S. PATENT DOCUMENTS

3,848,601 A 11/1974 Ma
3,867,728 A 2/1975 Stubstad

(Continued)

FOREIGN PATENT DOCUMENTS

CA 2444232 A1 8/1998
CA 2523814 A1 8/1998

(Continued)

Primary Examiner — Charles Hanson

(74) *Attorney, Agent, or Firm* — Jeremy A. Smith; Bradley Arant Boult Cummings LLP

(57) **CLAIM**

The ornamental design for an intervertebral implant, substantially as shown and described.

DESCRIPTION

FIG. 1 is a perspective view of an intervertebral implant according to one embodiment of our new design;
FIG. 2 is a front view of the intervertebral implant of FIG. 1;

FIG. 3 is a side view of the intervertebral implant of FIG. 1;
FIG. 4 is a back view of the intervertebral implant of FIG. 1;

FIG. 5 is an top view of the intervertebral implant of FIG. 1;

FIG. 6 is an alternate side view of the intervertebral implant of FIG. 1;

FIG. 7 is a bottom view of the intervertebral implant of FIG. 1;

FIG. 8 is a perspective view of an intervertebral implant according to a second embodiment of our new design;

FIG. 9 is a front view of the intervertebral implant of FIG. 8;

FIG. 10 is a side view of the intervertebral implant of FIG. 8;

FIG. 11 is a back view of the intervertebral implant of FIG. 8;

FIG. 12 is an top view of the intervertebral implant of FIG. 8;

FIG. 13 is an alternate side view of the intervertebral implant of FIG. 8;

FIG. 14 is a bottom view of the intervertebral implant of FIG. 8;

FIG. 15 is a perspective view of an intervertebral implant according to a third embodiment of our new design;

FIG. 16 is a front view of the intervertebral implant of FIG. 15;

FIG. 17 is a side view of the intervertebral implant of FIG. 15;

FIG. 18 is a back view of the intervertebral implant of FIG. 15;

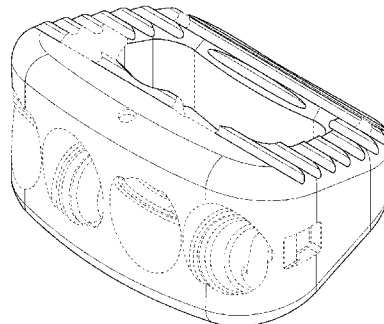
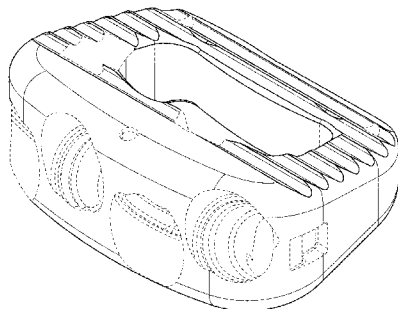
FIG. 19 is an top view of the intervertebral implant of FIG. 15;

FIG. 20 is an alternate side view of the intervertebral implant of FIG. 15; and,

FIG. 21 is a bottom view of the intervertebral implant of FIG. 15.

The broken line showing is included for the purpose of illustrating environment and forms no part of the claimed design.

1 Claim, 12 Drawing Sheets



(56)

References Cited

U.S. PATENT DOCUMENTS

4,463,753 A	8/1984	Gustilo	5,782,830 A	7/1998	Farris
4,501,269 A	2/1985	Bagby	5,782,832 A	7/1998	Larsen
4,599,086 A	7/1986	Doty	5,785,710 A	7/1998	Michelson
4,657,550 A	4/1987	Daher	5,797,909 A	8/1998	Michelson
4,743,256 A	5/1988	Brantigan	5,800,550 A	9/1998	Sertich
4,781,591 A	11/1988	Allen	5,814,084 A	9/1998	Grivas
4,790,303 A	12/1988	Steffee	5,843,082 A	12/1998	Yuan
4,834,757 A	5/1989	Brantigan	5,860,973 A	1/1999	Michelson
4,878,915 A	11/1989	Brantigan	5,861,041 A	1/1999	Tienboon
4,892,545 A	1/1990	Day	5,865,845 A	2/1999	Thalgott
4,904,261 A	2/1990	Dove	5,865,848 A	2/1999	Baker
4,932,975 A	6/1990	Main	5,876,456 A	3/1999	Sederholm
4,961,740 A	10/1990	Ray	5,876,457 A	3/1999	Picha
5,002,576 A	3/1991	Fuhrmann	5,885,299 A	3/1999	Winslow
5,015,247 A	5/1991	Michelson	5,888,224 A	3/1999	Beckers
5,026,373 A	6/1991	Ray	5,893,889 A	4/1999	Harrington
5,047,055 A	9/1991	Bao	5,904,719 A	5/1999	Errico
5,055,104 A	10/1991	Ray	5,910,315 A	6/1999	Stevenson
5,062,850 A	11/1991	MacMillan	5,951,558 A	9/1999	Fiz
5,071,437 A	12/1991	Steffee	5,968,098 A	10/1999	Winslow
5,171,278 A	12/1992	Pisharodi	6,004,326 A	12/1999	Castro
5,263,953 A	11/1993	Bagby	6,008,433 A	12/1999	Stone
5,290,494 A	3/1994	Coombes	6,015,436 A	1/2000	Schonhoffer
5,306,307 A	4/1994	Senter	6,039,761 A	3/2000	Li
5,306,309 A	4/1994	Wagner	6,042,582 A	3/2000	Ray
5,364,400 A	11/1994	Rego	6,045,580 A	4/2000	Scarborough
5,397,364 A	3/1995	Kozak	6,048,342 A	4/2000	Zucherman
5,405,391 A	4/1995	Hednerson	6,059,829 A	5/2000	Schläpfer
5,413,602 A	5/1995	Metz-Stavenhagen	6,063,088 A	5/2000	Winslow
5,425,772 A	6/1995	Brantigan	6,083,225 A	7/2000	Winslow
5,431,658 A	7/1995	Moskovich	6,099,531 A	8/2000	Bonutti
5,443,514 A	8/1995	Steffee	6,120,503 A	9/2000	Michelson
5,443,515 A	8/1995	Cohen	6,120,506 A	9/2000	Kohrs
5,454,811 A	10/1995	Huebner	6,123,705 A	9/2000	Michelson
5,458,638 A	10/1995	Kuslich	6,136,001 A	10/2000	Michelson
5,484,437 A	1/1996	Michelson	6,139,550 A	10/2000	Michelson
5,489,307 A	2/1996	Kuslich	6,143,033 A	11/2000	Paul
5,489,308 A	2/1996	Kuslich	6,152,927 A	11/2000	Farris
5,514,180 A	5/1996	Heggeness	6,159,211 A	12/2000	Boriani
5,522,899 A	6/1996	Michelson	6,159,215 A	12/2000	Urbahns
5,534,030 A	7/1996	Navarro	6,193,721 B1	2/2001	Michelson
5,534,031 A	7/1996	Matsuzaki	6,193,756 B1	2/2001	Studer
5,540,688 A	7/1996	Navas	6,200,347 B1	3/2001	Anderson
5,549,612 A	8/1996	Yapp	6,214,005 B1	4/2001	Benzel
5,562,736 A	10/1996	Ray	6,224,607 B1	5/2001	Michelson
5,571,190 A	11/1996	Ulrich	6,224,631 B1	5/2001	Kohrs
5,571,192 A	11/1996	Schonhoffer	6,235,059 B1	5/2001	Benezech
5,593,409 A	1/1997	Michelson	6,241,769 B1	6/2001	Nicholson
5,609,636 A	3/1997	Kohrs	6,241,771 B1	6/2001	Gresser
5,611,800 A	3/1997	Davis	6,251,140 B1	6/2001	Marino
5,616,144 A	4/1997	Yapp	6,258,089 B1	7/2001	Campbell
5,632,747 A	5/1997	Scarborough	6,258,125 B1	7/2001	Paul
5,645,598 A	7/1997	Brosnahan	6,277,149 B1	8/2001	Boyle
5,653,761 A	8/1997	Pisharodi	6,306,139 B1	10/2001	Fuentes
5,653,762 A	8/1997	Pisharodi	6,306,170 B2	10/2001	Ray
5,665,122 A	9/1997	Kambin	6,319,257 B1	11/2001	Carignan
5,669,909 A	9/1997	Zdeblick	6,364,880 B1	4/2002	Michelson
5,676,703 A	10/1997	Gelbard	6,371,986 B1	4/2002	Bagby
5,683,394 A	11/1997	Rinner	6,371,989 B1	4/2002	Chauvin
5,683,464 A	11/1997	Wagner	6,383,221 B1	5/2002	Scarborough
5,700,264 A	12/1997	Zucherman	6,395,030 B1	5/2002	Songer
5,700,291 A	12/1997	Kuslich	6,409,766 B1	6/2002	Brett
5,700,292 A	12/1997	Margulies	6,423,063 B1	7/2002	Bonutti
5,702,449 A	12/1997	McKay	6,432,140 B1	8/2002	Lin
5,702,451 A	12/1997	Biedermann	6,440,142 B1	8/2002	Ralph
5,702,453 A	12/1997	Rabbe	6,442,814 B1	9/2002	Landry
5,702,454 A	12/1997	Baumgartner	6,454,806 B1	9/2002	Cohen
5,702,455 A	12/1997	Saggar	6,468,311 B2	10/2002	Boyd
5,713,899 A	2/1998	Marnay	6,471,724 B2	10/2002	Zdeblick
5,716,415 A	2/1998	Steffee	6,485,517 B1	11/2002	Michelson
5,728,159 A	3/1998	Stroever	6,485,518 B1	11/2002	Cornwall
5,741,253 A	4/1998	Michelson	6,503,279 B1	1/2003	Webb
5,741,261 A	4/1998	Moskovitz	6,527,773 B1	3/2003	Lin
5,766,252 A	6/1998	Henry	6,540,785 B1	4/2003	Gill
5,772,661 A	6/1998	Michelson	6,558,423 B1	5/2003	Michelson
			6,558,424 B2	5/2003	Thalgott
			6,562,073 B2	5/2003	Foley
			6,576,017 B2	6/2003	Foley
			6,579,290 B1	6/2003	Harcastle

(56)

References Cited

U.S. PATENT DOCUMENTS

6,595,998 B2 7/2003 Johnson
 6,626,905 B1 9/2003 Schmiel
 6,626,907 B2 9/2003 Blain
 6,635,086 B2 10/2003 Lin
 6,648,895 B2 11/2003 Burkus
 6,652,525 B1 11/2003 Assaker
 6,669,700 B1 12/2003 Farris
 6,676,703 B2 1/2004 Biscup
 6,682,561 B2 1/2004 Songer
 6,706,067 B2 3/2004 Shimp
 6,730,127 B2 5/2004 Michelson
 6,743,255 B2 6/2004 Ferree
 6,746,454 B2 6/2004 Winterbottom
 6,746,484 B1 6/2004 Liu
 6,755,841 B2 6/2004 Fraser
 D493,533 S 7/2004 Blain
 6,824,564 B2 11/2004 Crozet
 6,855,167 B2 2/2005 Shimp
 6,911,045 B2 6/2005 Shimp
 6,916,320 B2 7/2005 Michelson
 6,926,718 B1 8/2005 Michelson
 6,964,687 B1 11/2005 Bernard
 6,969,390 B2 11/2005 Michelson
 6,972,019 B2 12/2005 Michelson
 6,979,353 B2 12/2005 Bresina
 6,984,245 B2 1/2006 McGahan
 6,986,788 B2 1/2006 Paul
 6,989,031 B2 1/2006 Michelson
 7,001,385 B2 2/2006 Bonutti
 7,001,387 B2 2/2006 Farris
 7,018,416 B2 3/2006 Hanson
 7,033,394 B2 4/2006 Michelson
 7,041,135 B2 5/2006 Michelson
 7,063,701 B2 6/2006 Michelson
 7,077,844 B2 7/2006 Michelson
 7,094,239 B1 8/2006 Michelson
 7,112,222 B2 9/2006 Fraser
 D530,423 S 10/2006 Miles
 7,125,425 B2 10/2006 Foley
 7,137,984 B2 11/2006 Michelson
 7,163,561 B2 1/2007 Michelson
 7,172,627 B2 2/2007 Fiere
 7,192,447 B2 3/2007 Rhoda
 7,226,482 B2 6/2007 Messerli
 7,232,464 B2 6/2007 Mathieu
 7,235,105 B2 6/2007 Jackson
 7,244,258 B2 7/2007 Burkus
 7,255,698 B2 8/2007 Michelson
 7,267,690 B2 9/2007 Felt
 D553,742 S * 10/2007 Park D24/155
 7,303,583 B1 12/2007 Schär
 7,323,011 B2 1/2008 Shepard
 7,326,251 B2 2/2008 McCombe
 D580,552 S * 11/2008 Cohen D24/155
 7,491,237 B2 2/2009 Randall
 D594,986 S 6/2009 Miles
 D595,853 S * 7/2009 Hanson A61F 2/447
 D24/155
 D599,019 S 8/2009 Pimenta
 7,621,956 B2 11/2009 Paul
 7,621,960 B2 11/2009 Boyd
 7,637,951 B2 12/2009 Michelson
 7,637,954 B2 12/2009 Michelson
 7,651,497 B2 1/2010 Michelson
 7,662,185 B2 2/2010 Alfaro
 D611,147 S * 3/2010 Hanson D24/155
 D615,653 S * 5/2010 Horton D24/155
 D621,509 S 8/2010 Lovell
 7,776,093 B2 8/2010 Wolek
 D623,747 S * 9/2010 Horton D24/155
 D623,748 S * 9/2010 Horton D24/155
 D623,749 S * 9/2010 Horton D24/155
 D623,750 S 9/2010 Duffield
 D627,468 S * 11/2010 Richter D24/155
 7,846,207 B2 12/2010 Lechmann

7,867,277 B1 1/2011 Tohmeh
 D631,967 S * 2/2011 Horton D24/155
 7,914,554 B2 3/2011 Michelson
 D637,721 S * 5/2011 Horton D24/155
 7,951,203 B2 5/2011 McCombe
 8,021,430 B2 9/2011 Michelson
 8,048,075 B2 11/2011 Michelson
 8,187,334 B2 5/2012 Curran
 8,246,686 B1 8/2012 Curran
 8,251,997 B2 8/2012 Michelson
 D671,645 S 11/2012 Curran
 D674,092 S 1/2013 Lovell
 D675,320 S 1/2013 Oi
 8,361,156 B2 1/2013 Curran
 8,506,636 B2 8/2013 Dye
 8,574,301 B2 11/2013 Curran
 8,579,909 B2 11/2013 Burkus
 8,591,589 B2 11/2013 McCombe
 D696,402 S 12/2013 Oi
 8,608,804 B2 12/2013 Curran
 8,740,983 B1 6/2014 Arnold
 D708,747 S 7/2014 Curran
 D711,537 S 8/2014 Pimenta
 8,840,668 B1 9/2014 Donahoe
 D721,808 S 1/2015 Oi
 2005/0177245 A1 8/2005 Leatherbury
 2005/0187552 A1 8/2005 Michelson
 2006/0079961 A1 4/2006 Michelson
 2006/0085071 A1 4/2006 Lechmann
 2006/0122703 A1 6/2006 Aebi
 2006/0200166 A1 9/2006 Hanson
 2006/0206208 A1 9/2006 Michelson
 2006/0282165 A1 12/2006 Pisharodi
 2007/0233253 A1 10/2007 Bray
 2007/0270965 A1 11/2007 Ferguson
 2008/0082173 A1 4/2008 Delurio
 2008/0177307 A1 7/2008 Moskowitz
 2008/0249569 A1 10/2008 Waugh
 2008/0281425 A1 11/2008 Thalgott
 2008/0306596 A1 12/2008 Jones
 2008/0312742 A1 12/2008 Abernathie
 2009/0088849 A1 4/2009 Armstrong
 2009/0099659 A1 4/2009 Oh
 2009/0105831 A1 4/2009 Jones
 2009/0157186 A1 6/2009 Magerl
 2009/0182430 A1 7/2009 Tyber
 2009/0210062 A1 8/2009 Thalgott
 2009/0210063 A1 8/2009 Barrett
 2009/0224023 A1 9/2009 Moskowitz
 2009/0234455 A1 9/2009 Moskowitz
 2009/0259256 A1 10/2009 Miller
 2009/0270991 A1 10/2009 Michelson
 2010/0049324 A1 2/2010 Valdevit
 2010/0057206 A1 3/2010 Duffield
 2010/0125334 A1 5/2010 Krueger
 2010/0145460 A1 6/2010 McDonough
 2010/0185288 A1 7/2010 Carls
 2010/0204739 A1 8/2010 Bae
 2010/0249935 A1 9/2010 Slivka

FOREIGN PATENT DOCUMENTS

CA 2533713 A1 8/1998
 DE 29511146 U1 1/1996
 DE 19630256 A1 1/1998
 EP 0179695 A1 4/1986
 EP 0560140 A1 9/1993
 EP 0716840 B1 6/1996
 EP 0880938 A1 2/1998
 FR 2727003 A1 5/1996
 FR 2727619 A1 6/1996
 FR 2923155 A1 5/2009
 JP 4114644 A 4/1992
 SU 1519677 A1 11/1989
 SU 1715338 A1 2/1992
 WO WO-9404100 A1 3/1994
 WO WO-9501810 A1 1/1995
 WO WO-9525474 A1 9/1995
 WO WO-9608205 A1 3/1996

(56)

References Cited

FOREIGN PATENT DOCUMENTS

WO WO-9720526 A1 6/1997
WO WO-9723175 A1 7/1997
WO WO-9733525 A1 9/1997
WO WO-9817208 A1 4/1998
WO WO-9963913 A2 12/1999
WO WO-9963914 A1 12/1999
WO WO-02065957 A2 8/2002

WO WO-2007098288 A2 8/2007
WO WO-2009064644 A1 5/2009
WO WO-2009071153 A1 6/2009
WO WO-2009091775 A2 7/2009
WO WO-2009092961 A2 7/2009
WO WO-2009099559 A2 8/2009
WO WO-2009144671 A1 12/2009
WO WO-2010028045 A1 3/2010
WO WO-2010028095 A1 3/2010
WO WO-2010079993 A2 7/2010

* cited by examiner

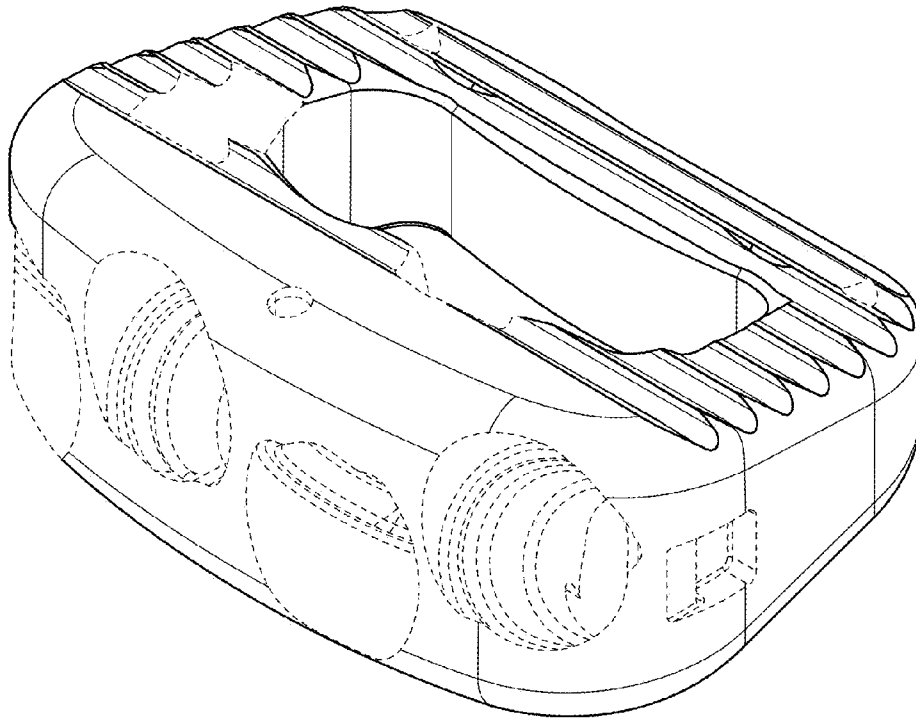


FIG. 1

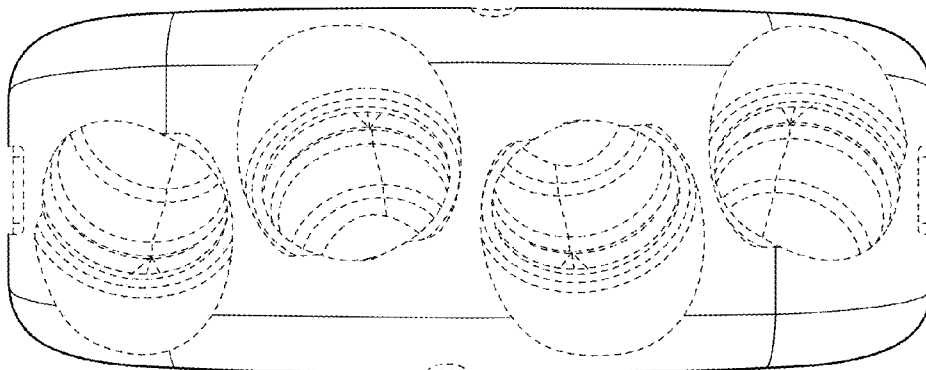


FIG. 2

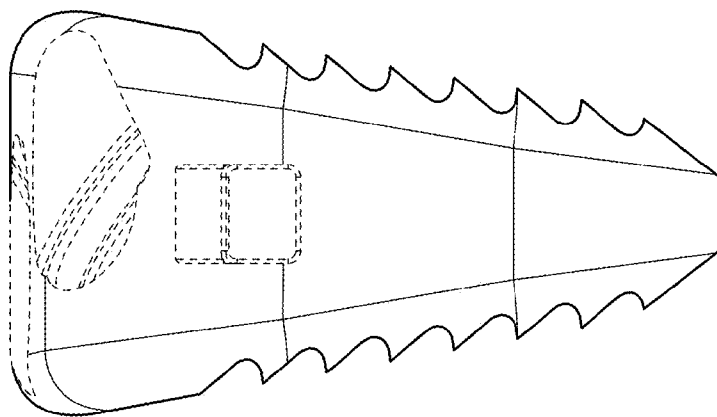


FIG. 3

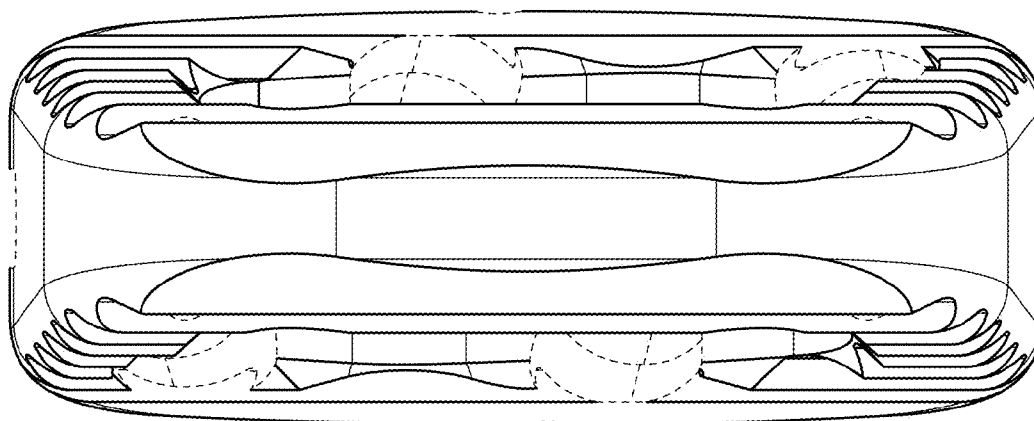


FIG. 4

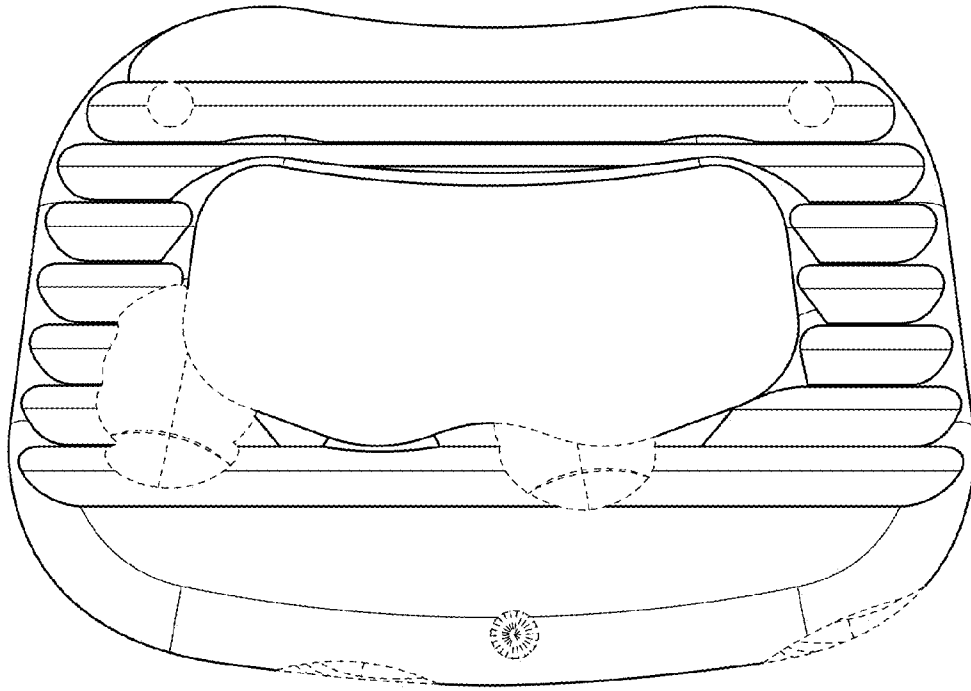


FIG. 5

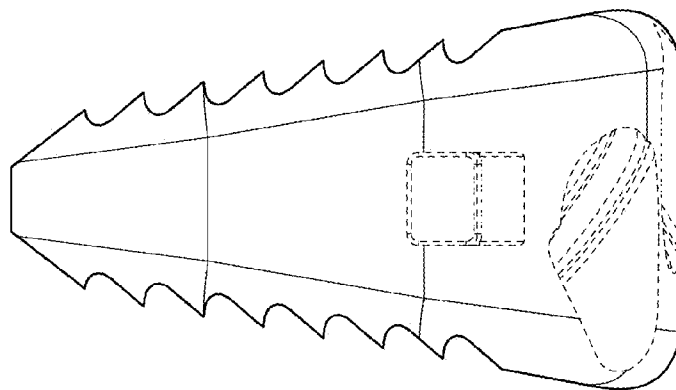


FIG. 6

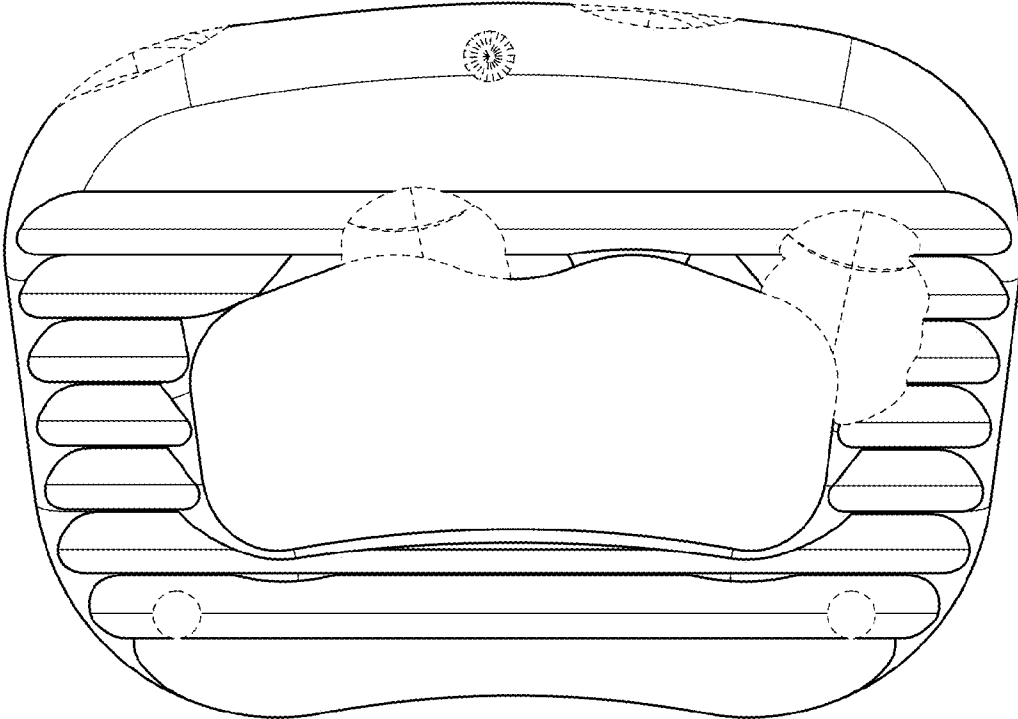


FIG. 7

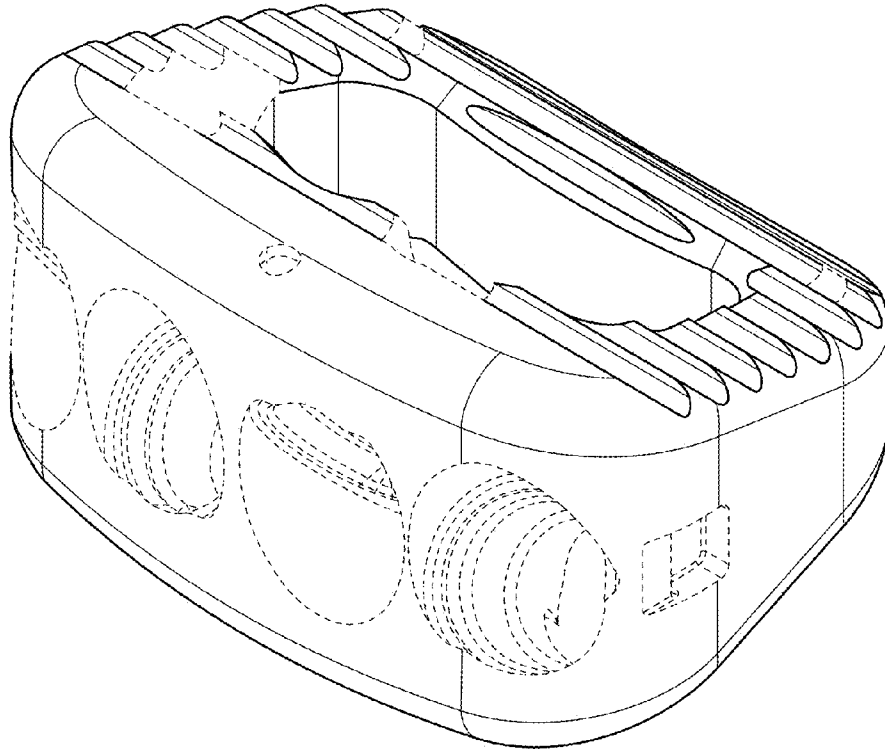


FIG. 8

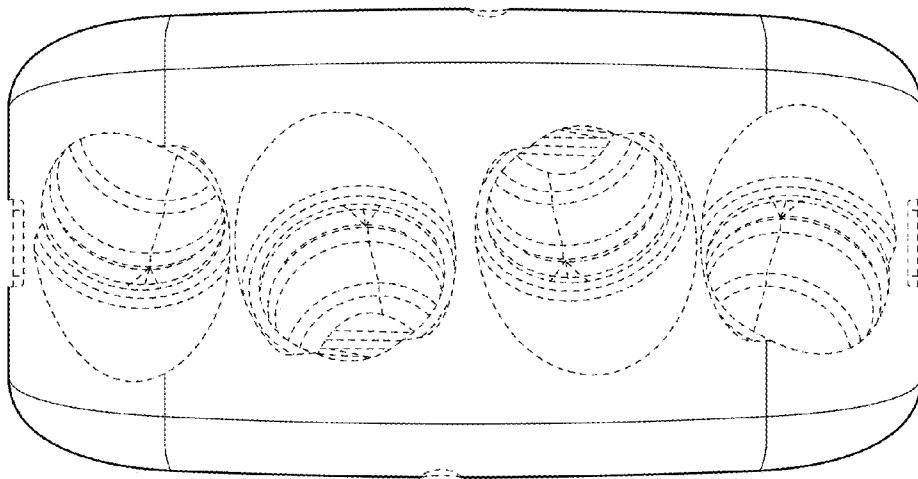


FIG. 9

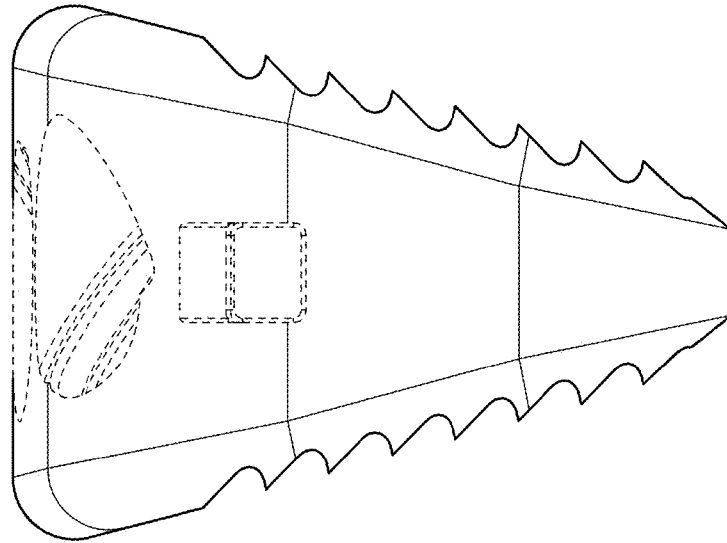


FIG. 10

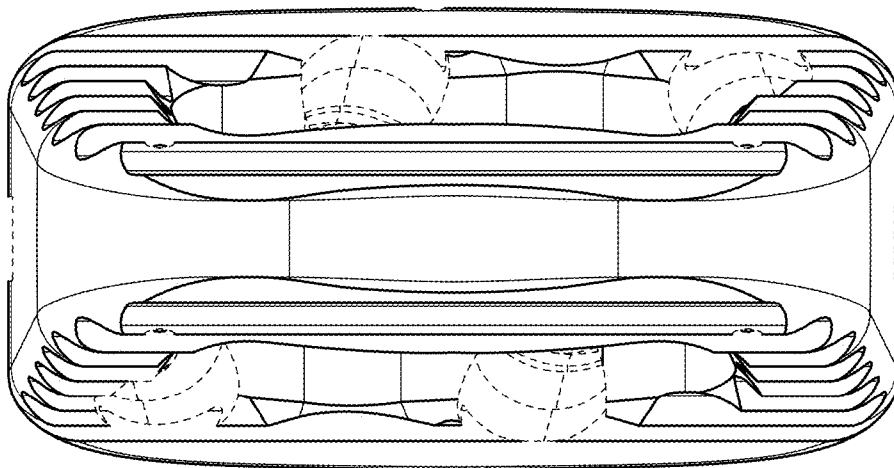


FIG. 11

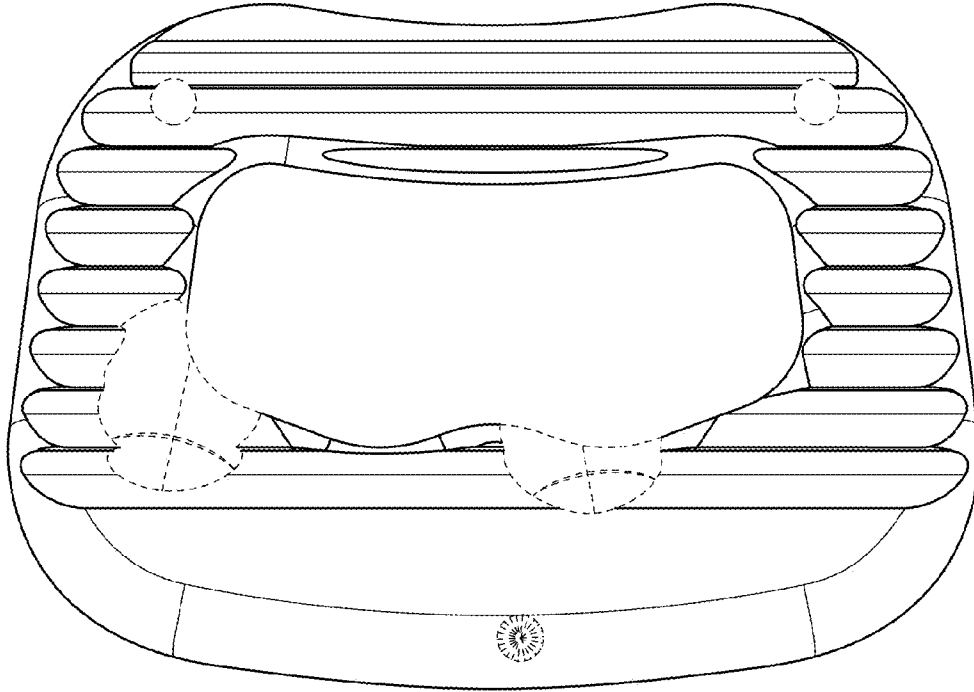


FIG. 12

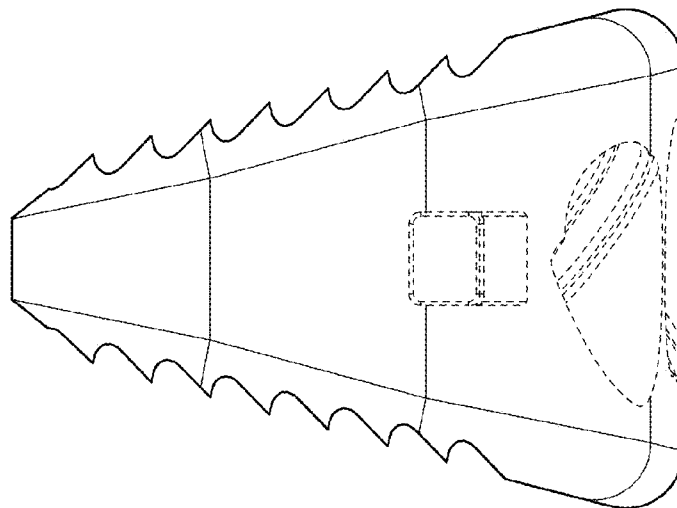


FIG. 13

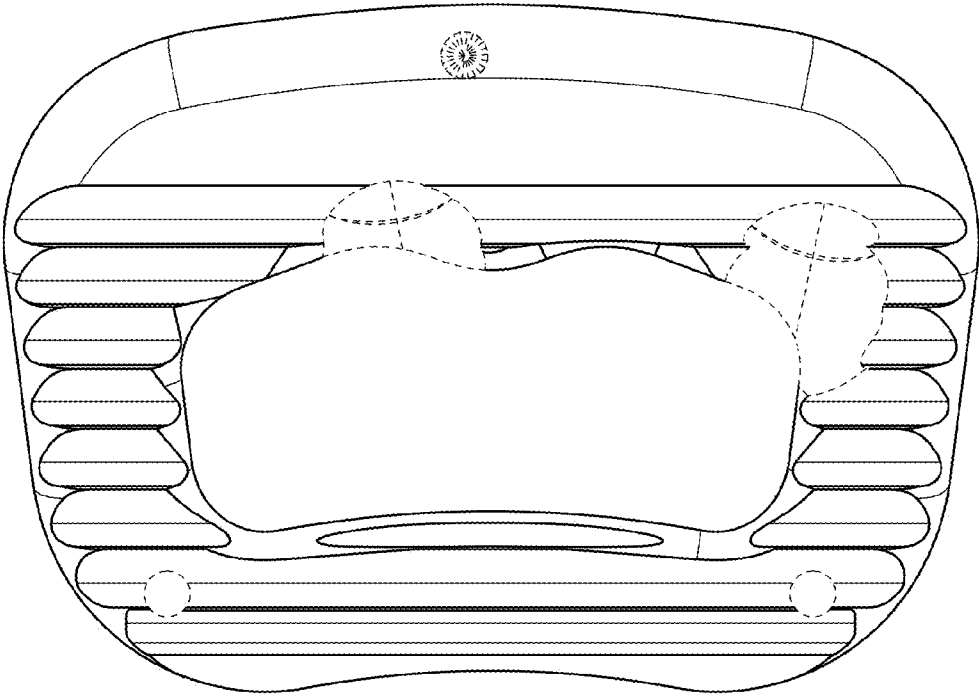


FIG. 14

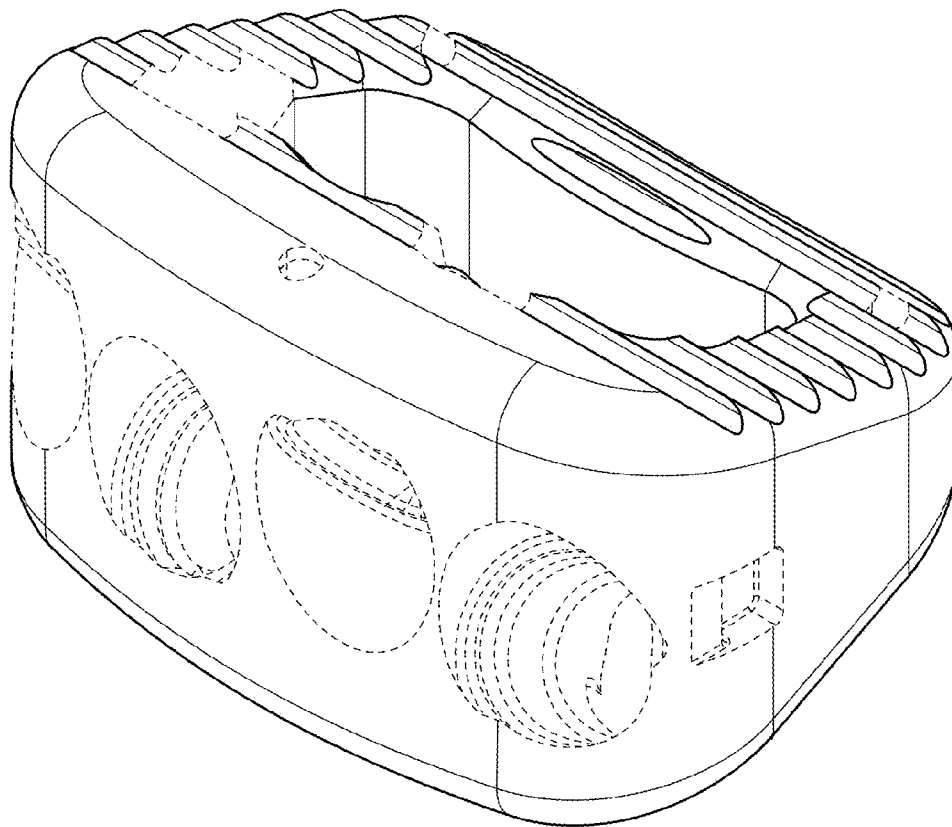


FIG. 15

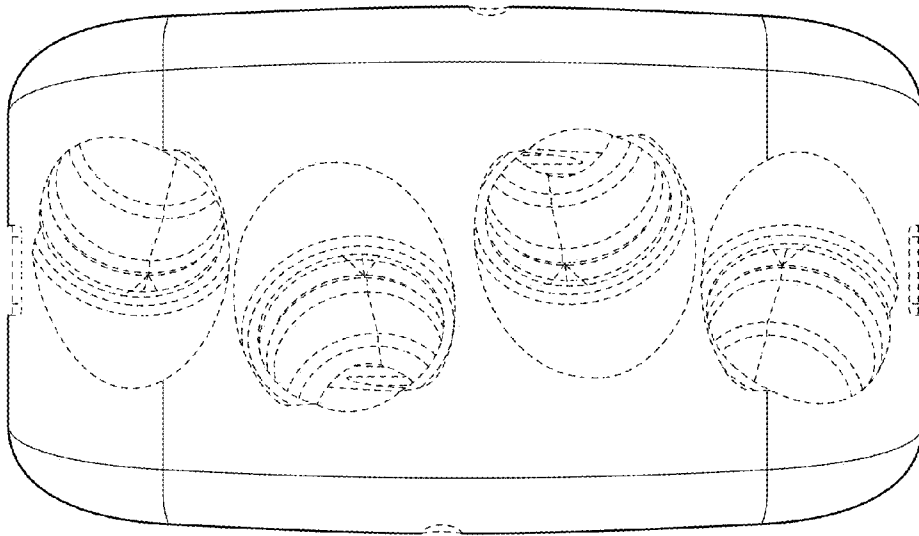


FIG. 16

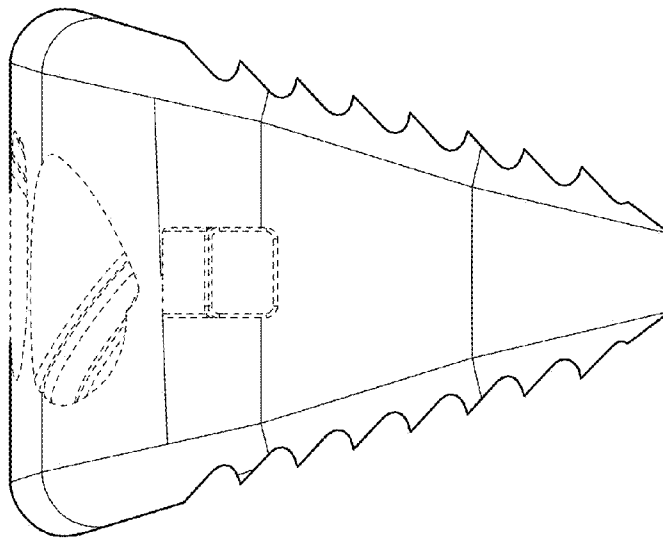


FIG. 17

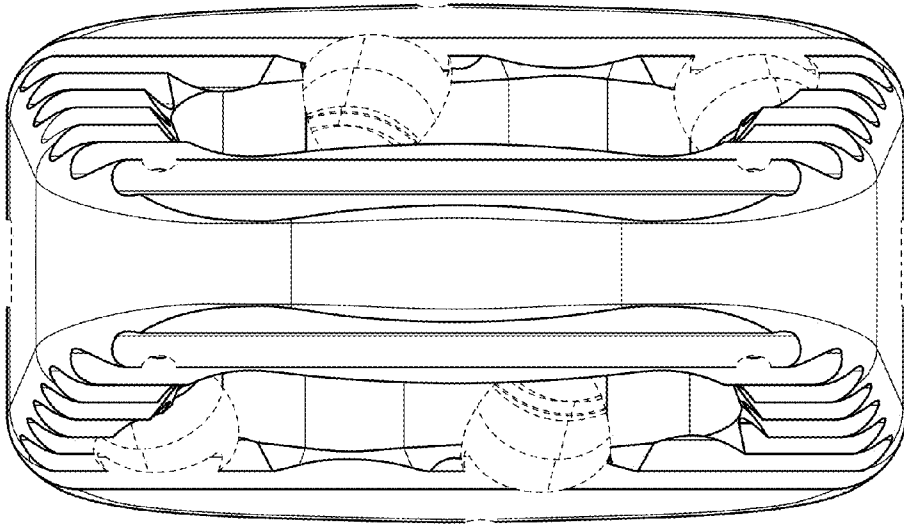


FIG. 18

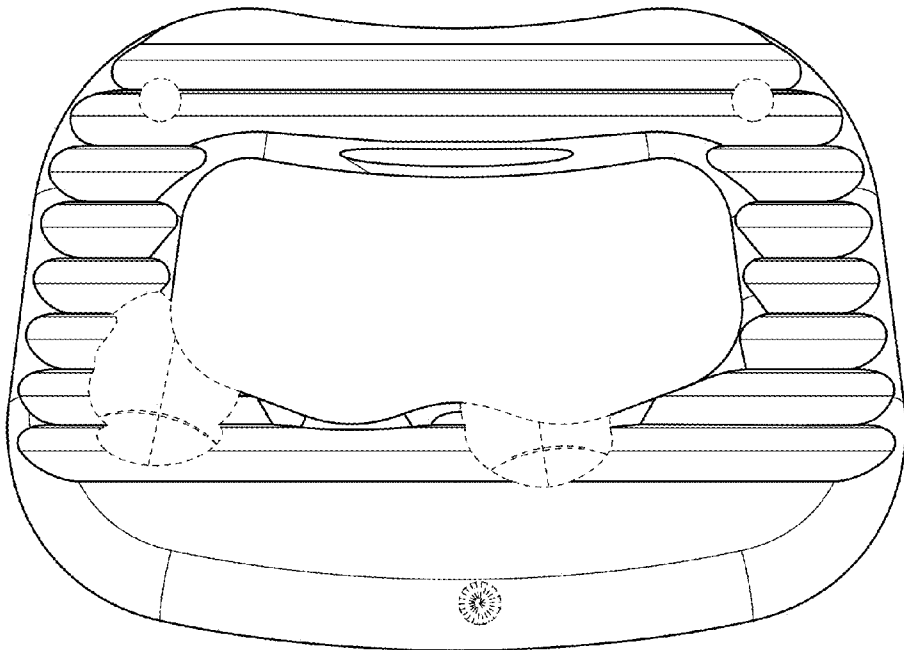


FIG. 19

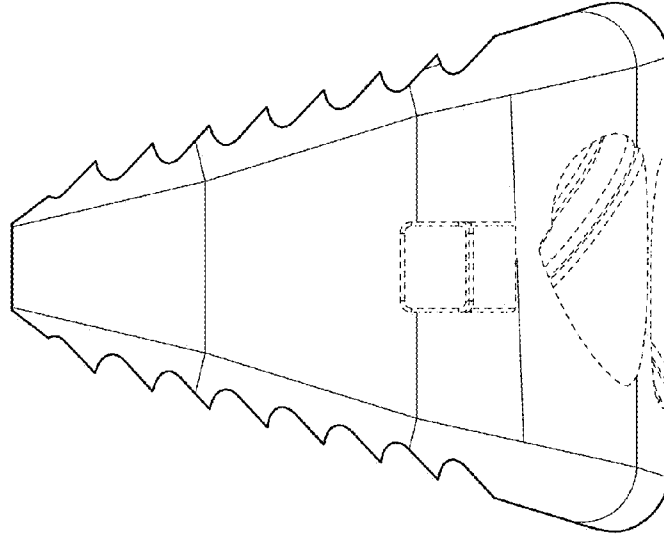


FIG. 20

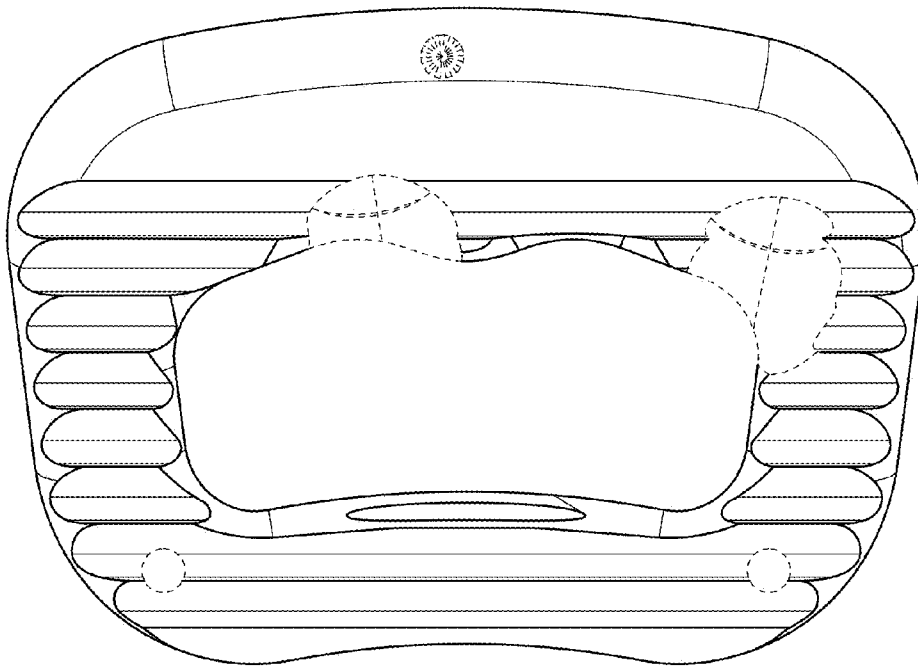


FIG. 21