



(12) **United States Design Patent**  
**Brunner et al.**

(10) **Patent No.:** **US D791,103 S**  
(45) **Date of Patent:** **\*\* Jul. 4, 2017**

- (54) **AUDIO LISTENING SYSTEM**
- (71) Applicant: **Apple Inc.**, Cupertino, CA (US)
- (72) Inventors: **Robert Brunner**, San Francisco, CA (US); **Rhys Bonahoom**, Burlingame, CA (US); **Gregoire Vandebussche**, San Francisco, CA (US); **Nivay Anandarajah**, San Francisco, CA (US); **Christopher Fruhauf**, San Anselmo, CA (US)
- (73) Assignee: **Apple Inc.**, Cupertino, CA (US)
- (\*\*) Term: **15 Years**
- (21) Appl. No.: **29/559,676**
- (22) Filed: **Mar. 30, 2016**

**Related U.S. Application Data**

- (63) Continuation of application No. 29/527,765, filed on May 21, 2015, now Pat. No. Des. 760,687, which is a continuation of application No. 29/489,127, filed on Apr. 25, 2014, now Pat. No. Des. 731,457, and a continuation of application No. 29/490,507, filed on May 9, 2014, now Pat. No. Des. 732,000, said application No. 29/527,765 is a continuation of application No. 29/490,508, filed on May 9, 2014, now Pat. No. Des. 738,350, which is a continuation-in-part of application No. 29/489,127.
- (51) **LOC (10) Cl.** ..... **14-01**
- (52) **U.S. Cl.**  
USPC ..... **D14/205**
- (58) **Field of Classification Search**  
USPC ..... D14/205; D29/112; 2/209; 181/129, 181/130, 135; 379/430, 431; 381/380, 381/381, 379, 374, 74  
CPC ..... H04R 1/1066; H04R 1/1016; H04R 1/10; H04R 25/00; H04R 5/033; H04R 5/0335; H04R 1/1075; H04R 1/1091  
See application file for complete search history.

(56) **References Cited**

U.S. PATENT DOCUMENTS

4,385,209 A *	5/1983	Greason .....	H04M 1/03 307/400
D328,074 S	7/1992	Yamazaki et al.	
D328,461 S	8/1992	Daido et al.	
D484,485 S *	12/2003	Matsuoka .....	D14/205
D504,414 S	4/2005	Yoshida	
6,980,165 B2 *	12/2005	Yuasa .....	H01Q 1/273 343/718
7,072,483 B2	7/2006	Lenhard-Backhaus	
D534,155 S	12/2006	Obata	
D540,301 S	4/2007	Obata	
D552,077 S	10/2007	Brunner et al.	

(Continued)

OTHER PUBLICATIONS

U.S. Appl. No. 29/559,678, filed Mar. 30, 2016; Brunner et al.

*Primary Examiner* — Paula Greene

(74) *Attorney, Agent, or Firm* — Sterne, Kessler, Goldstein & Fox P.L.L.C.

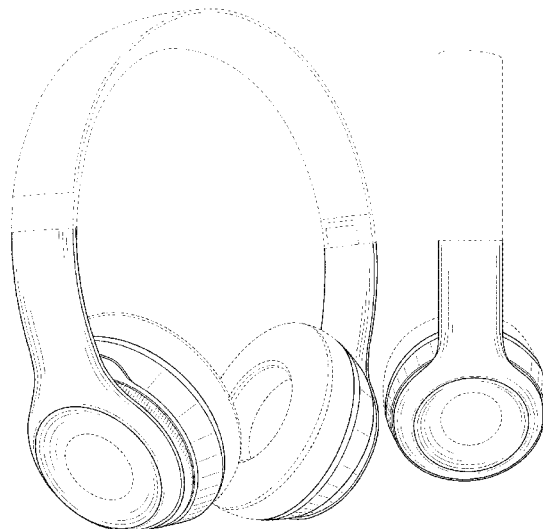
(57) **CLAIM**

The ornamental design for an audio listening system, as shown and described.

**DESCRIPTION**

FIG. 1 is a front left perspective view of an audio listening system showing our new design;  
 FIG. 2 is a rear view thereof;  
 FIG. 3 is a front view thereof;  
 FIG. 4 is a right side view thereof;  
 FIG. 5 is a left side view thereof; and,  
 FIG. 6 is a top view thereof.  
 The broken lines in the figures show portions of the audio listening system that form no part of the claimed design.

**1 Claim, 4 Drawing Sheets**



(56)

## References Cited

## U.S. PATENT DOCUMENTS

7,356,362 B2 *	4/2008	Chang	.....	H04R 1/1033	D689,843 S	9/2013	Lee	
					D691,984 S	10/2013	Wang	
D582,890 S *	12/2008	Koza	.....	379/430	D693,791 S	11/2013	Troy	
D585,870 S *	2/2009	Zheng	.....	D14/205	D696,226 S *	12/2013	Brunner	..... H04R 5/033
D592,182 S *	5/2009	Sanguinetti	.....	D14/205				D14/205
D600,674 S *	9/2009	Brennwald	.....	D14/205	D696,228 S	12/2013	Miyake et al.	
D603,371 S *	11/2009	Boateng	.....	D14/205	D699,702 S	2/2014	Chen	
D625,705 S	10/2010	Ohori et al.			D706,240 S *	6/2014	Szymanski	..... H04R 1/1066
D628,554 S	12/2010	Tedja et al.						D14/205
D632,668 S	2/2011	Brunner et al.			D715,255 S	10/2014	Nunez et al.	
D635,959 S	4/2011	Hutchieson			D725,630 S *	3/2015	Nakagawa	..... D14/205
D637,176 S *	5/2011	Brunner	.....	D14/205	D731,457 S	6/2015	Brunner et al.	
8,006,320 B1	8/2011	Rohbani			D732,000 S	6/2015	Brunner et al.	
D652,406 S *	1/2012	Lee	.....	D14/205	D734,296 S *	7/2015	Paterson	..... D14/205
8,098,872 B2	1/2012	Chang			D738,350 S	9/2015	Brunner et al.	
D657,344 S	4/2012	Brunner et al.			D739,378 S *	9/2015	Chung	..... D14/205
D657,345 S *	4/2012	Brunner	.....	H04R 5/033	D742,357 S *	11/2015	Chung	..... D14/205
				D14/205	D760,687 S *	7/2016	Brunner	..... D14/205
D657,776 S	4/2012	Lee et al.			D765,056 S *	8/2016	Yang	..... D14/205
D660,823 S	5/2012	Hardi et al.			D767,531 S *	9/2016	Szymanski	..... D14/205
D660,824 S	5/2012	Hardi et al.			2004/0216946 A1 *	11/2004	Lenhard-Backhaus	H04R 1/1066
D662,080 S	6/2012	Carr et al.						181/129
D663,716 S	7/2012	Hardi et al.			2008/0037816 A1 *	2/2008	Lee	..... H04R 5/0335
D664,117 S	7/2012	Tappeiner et al.						381/379
D671,914 S	12/2012	Lee et al.			2011/0206216 A1 *	8/2011	Brunner	..... H04R 1/1066
D673,136 S	12/2012	Kelly et al.						381/74
D673,520 S	1/2013	Tan			2013/0177195 A1 *	7/2013	Sze	..... H04R 1/1033
D675,595 S	2/2013	Cho et al.						381/384
D677,648 S	3/2013	Lee et al.			2013/0343591 A1 *	12/2013	Brunner	..... H04R 1/1066
D678,860 S	3/2013	Hagelin						381/371
D683,329 S	5/2013	Hagelin			2015/0189422 A1 *	7/2015	Nakano	..... H04R 1/105
								381/378
					2016/0212519 A1 *	7/2016	Henderson	..... H04R 5/0335

\* cited by examiner

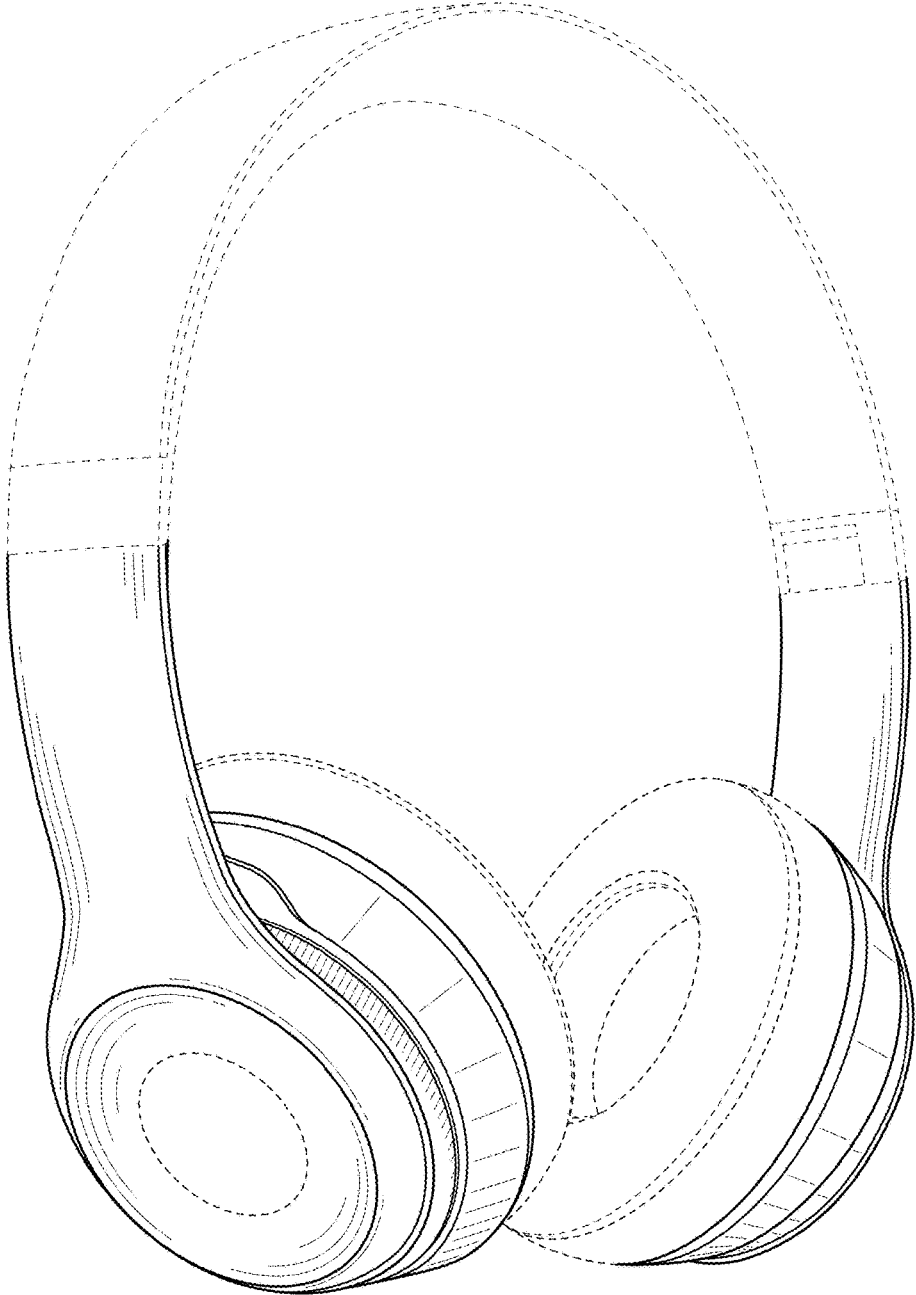


FIG. 1

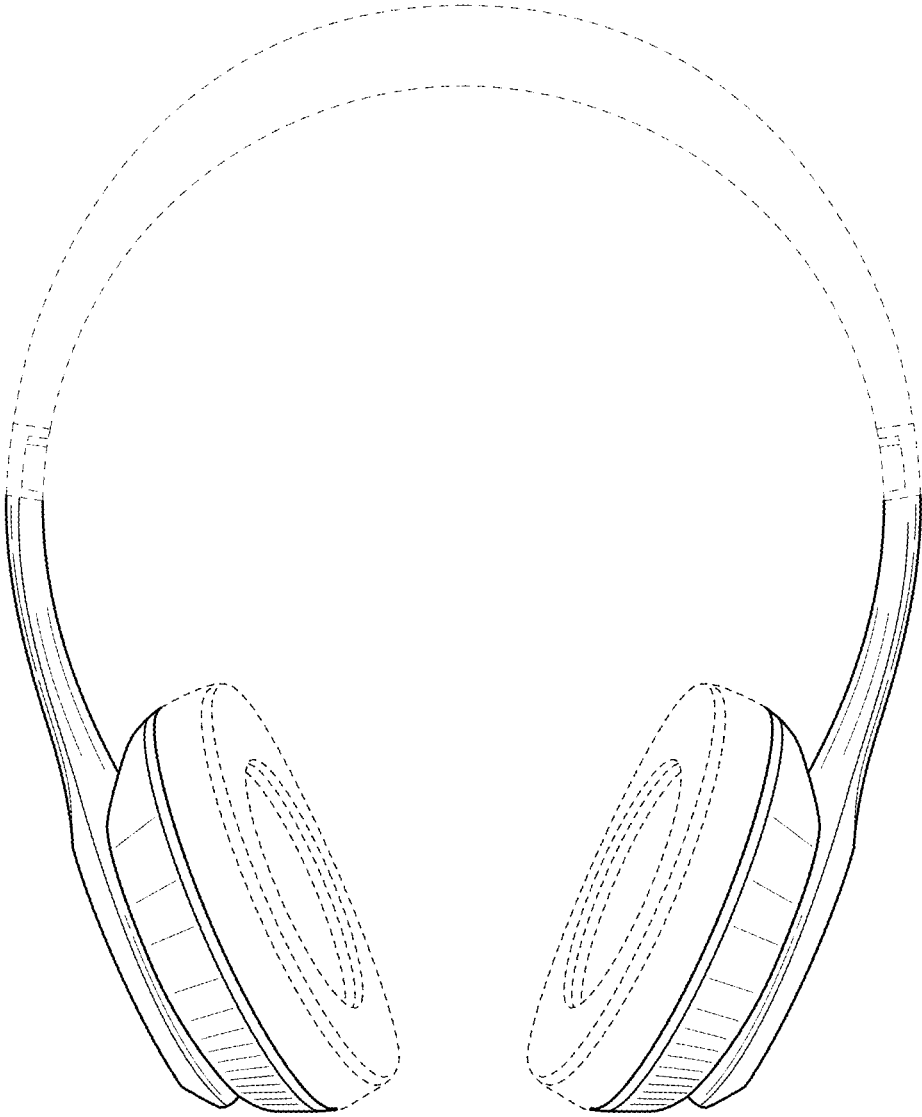


FIG. 2

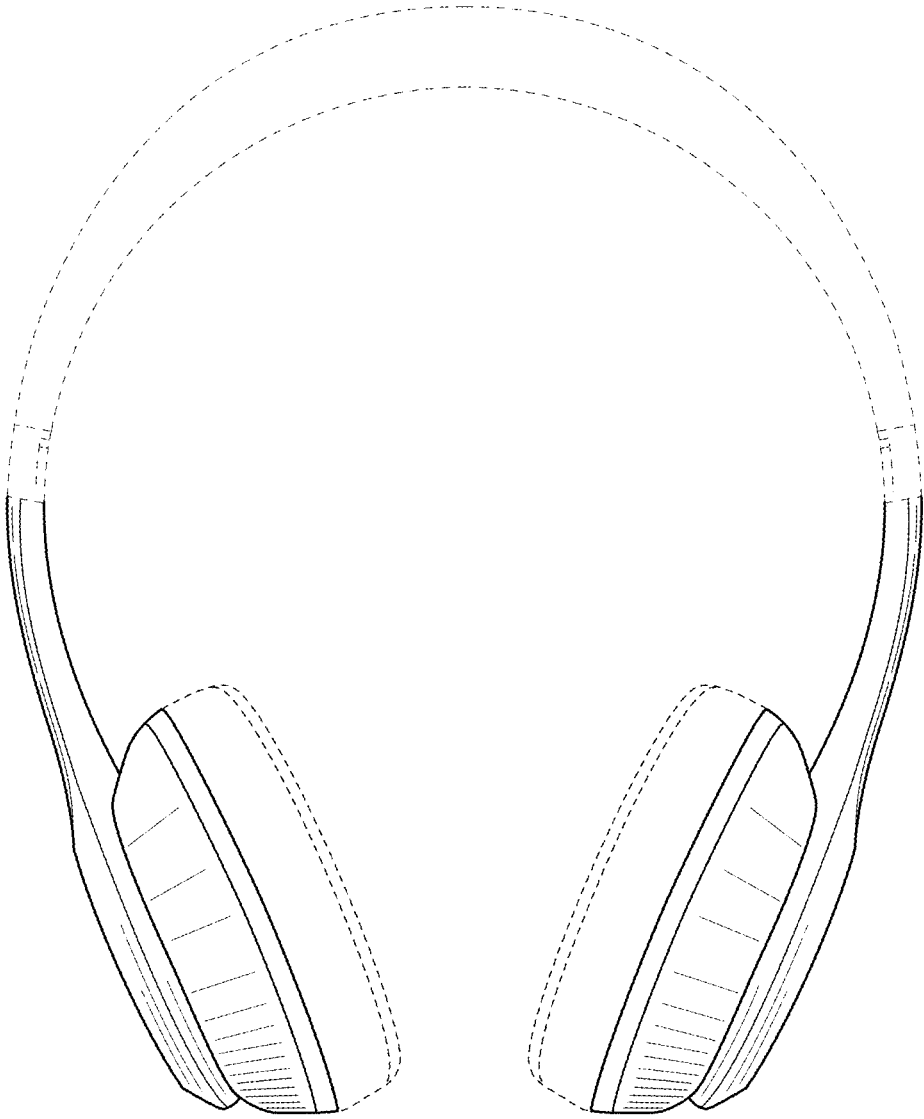
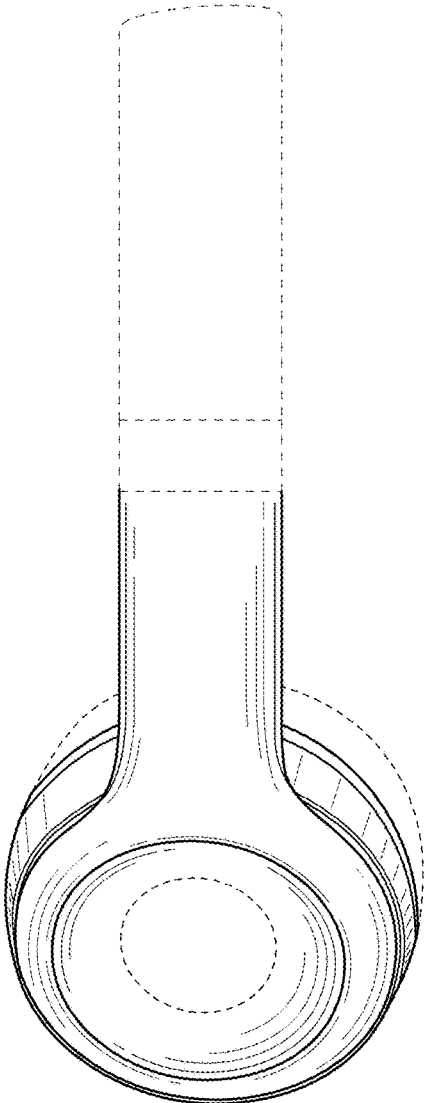
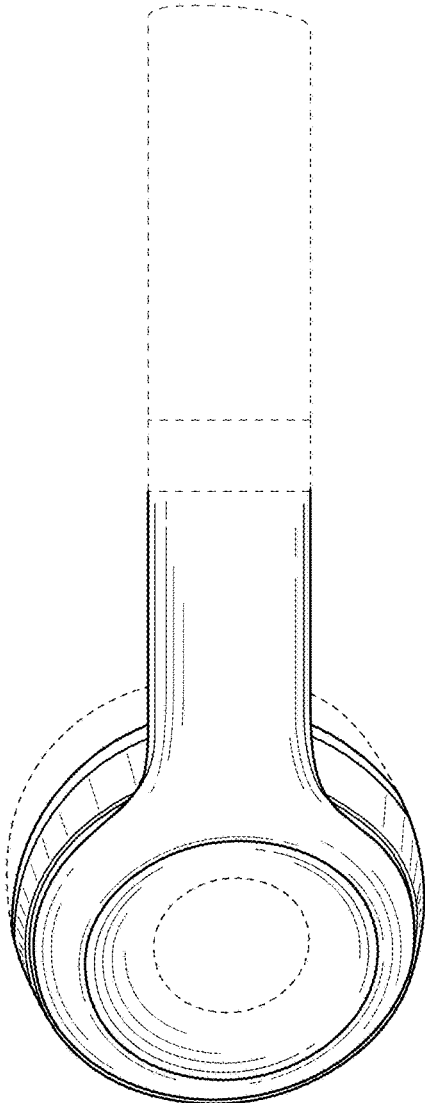


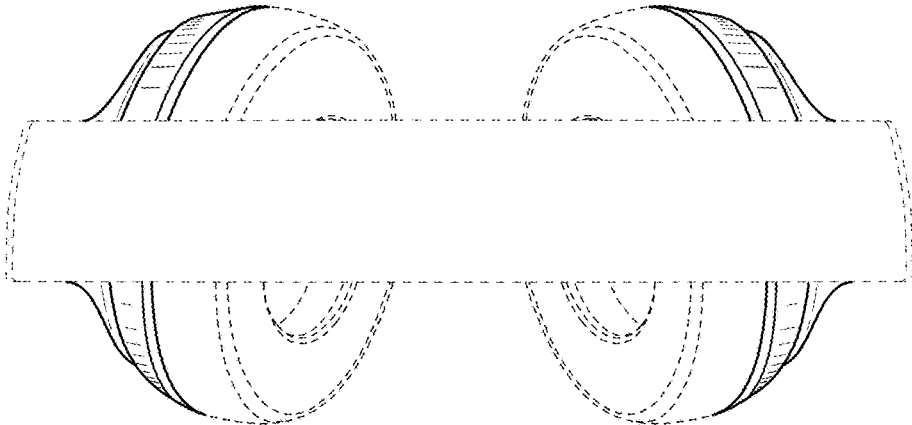
FIG. 3



**FIG. 4**



**FIG. 5**



**FIG. 6**