



US00D816935S

(12) **United States Design Patent**
Maness

(10) **Patent No.:** **US D816,935 S**

(45) **Date of Patent:** **** May 1, 2018**

- (54) **MAGNETIC LIFTING RING**
- (71) Applicant: **Lifesaving Systems Corp.**, Apollo Beach, FL (US)
- (72) Inventor: **Samuel G. Maness**, Apollo Beach, FL (US)
- (73) Assignee: **LIFESAVING SYSTEMS CORP.**, Apollo Beach, FL (US)

D490,201 S *	5/2004	Liao	D34/28
6,854,777 B2 *	2/2005	Jung	B66C 1/04 294/65.5
D536,152 S *	1/2007	Yamaki	D34/28
D671,293 S *	11/2012	Fredriksson	D34/35
8,702,079 B2 *	4/2014	Sladojevic	B25B 11/002 249/40
D759,337 S *	6/2016	Kearney	D34/35
D798,021 S *	9/2017	Mueller	D34/28
2013/0320686 A1 *	12/2013	Morton	B66C 1/04 294/65.5
2016/0289046 A1 *	10/2016	Norton	B66C 1/04

(**) Term: **15 Years**

* cited by examiner

(21) Appl. No.: **29/581,608**

Primary Examiner — Cynthia Ramirez

(22) Filed: **Oct. 20, 2016**

(74) *Attorney, Agent, or Firm* — Shumaker, Loop & Kendrick, LLP

(51) **LOC (11) Cl.** **12-05**

(52) **U.S. Cl.**

(57) **CLAIM**

USPC **D34/28**

The ornamental design for a magnetic lifting ring, as shown and described.

(58) **Field of Classification Search**

DESCRIPTION

USPC D34/28, 35; 254/264; 294/65.5, 82.1, 294/82.2, 82.22

CPC B66C 1/04; B66C 23/48; A61G 7/1017; A61G 7/1019

See application file for complete search history.

FIG. 1 is a back perspective view of the new design for a magnetic lifting ring;
FIG. 2 is a back view thereof;
FIG. 3 is a front view thereof;
FIG. 4 is a right side view thereof;
FIG. 5 is a left side view thereof;
FIG. 6 is a top view thereof; and,
FIG. 7 is a bottom view thereof.

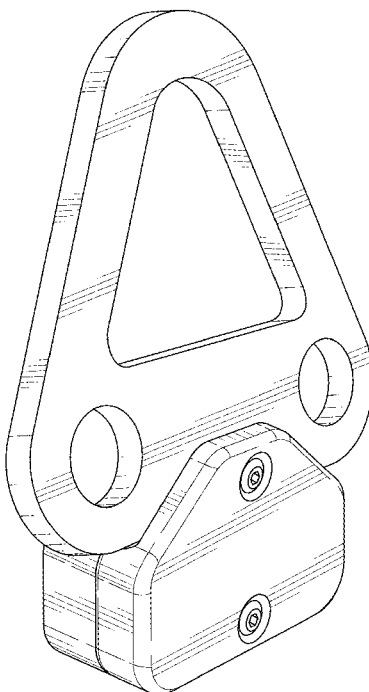
(56) **References Cited**

U.S. PATENT DOCUMENTS

D277,992 S *	3/1985	Tupper	D34/28
5,382,935 A *	1/1995	Doyelle	B66C 1/04 335/288
6,331,810 B1 *	12/2001	Jung	B66C 1/04 269/8
6,557,429 B1 *	5/2003	Asquith	B66C 1/04 335/212

The elements shown in broken lines in FIG. 3 are to show portions of the magnetic lifting ring that form no part of the claimed design.

1 Claim, 4 Drawing Sheets



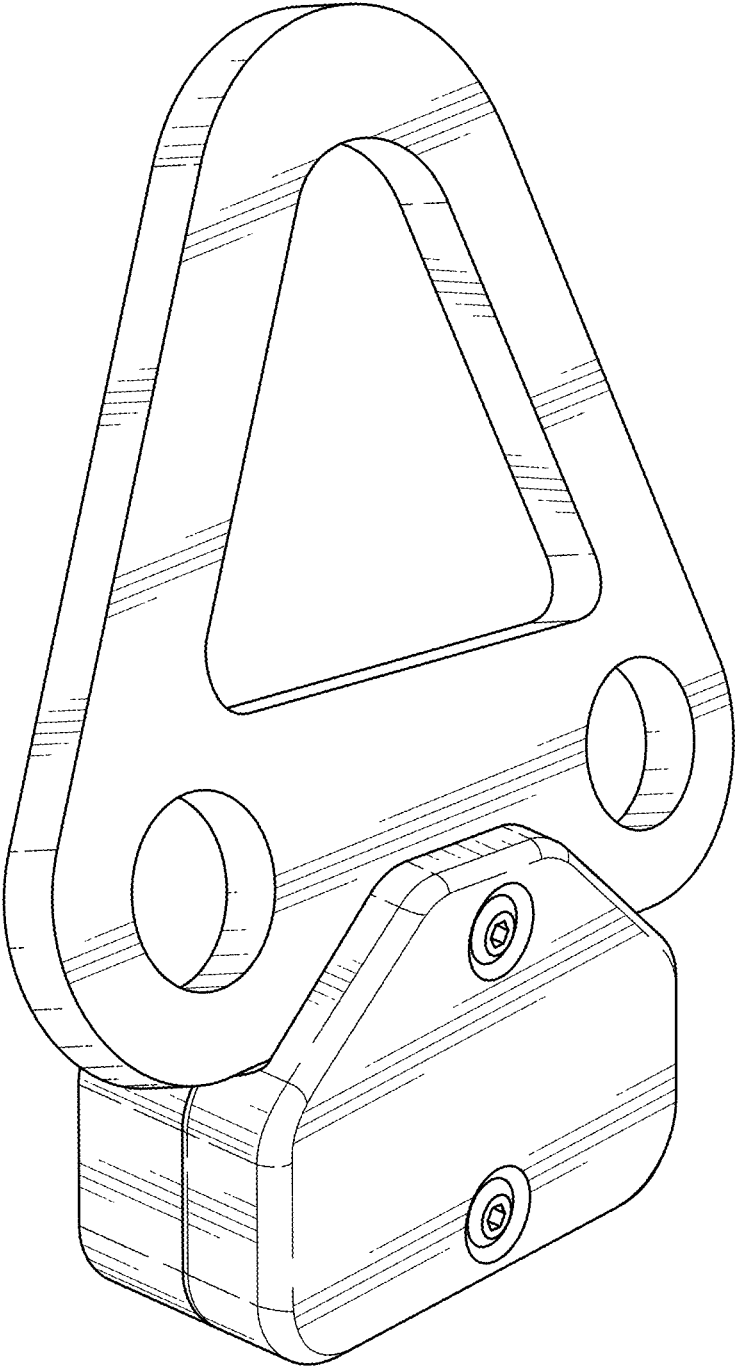


FIG. 1

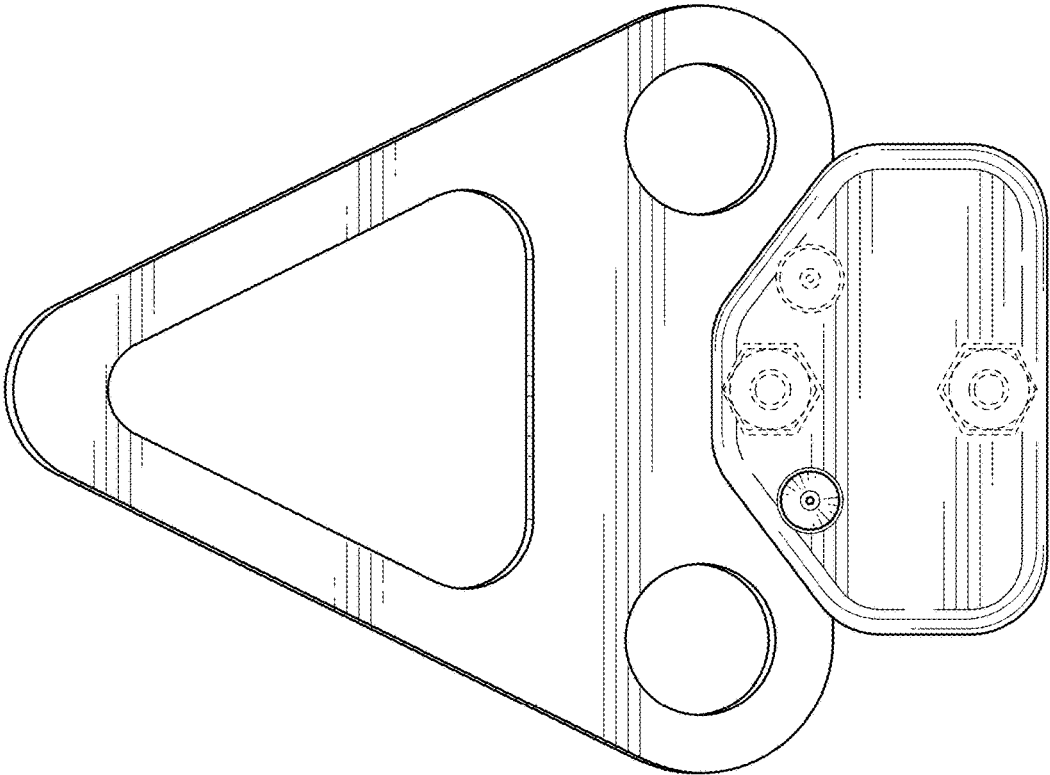


FIG. 2

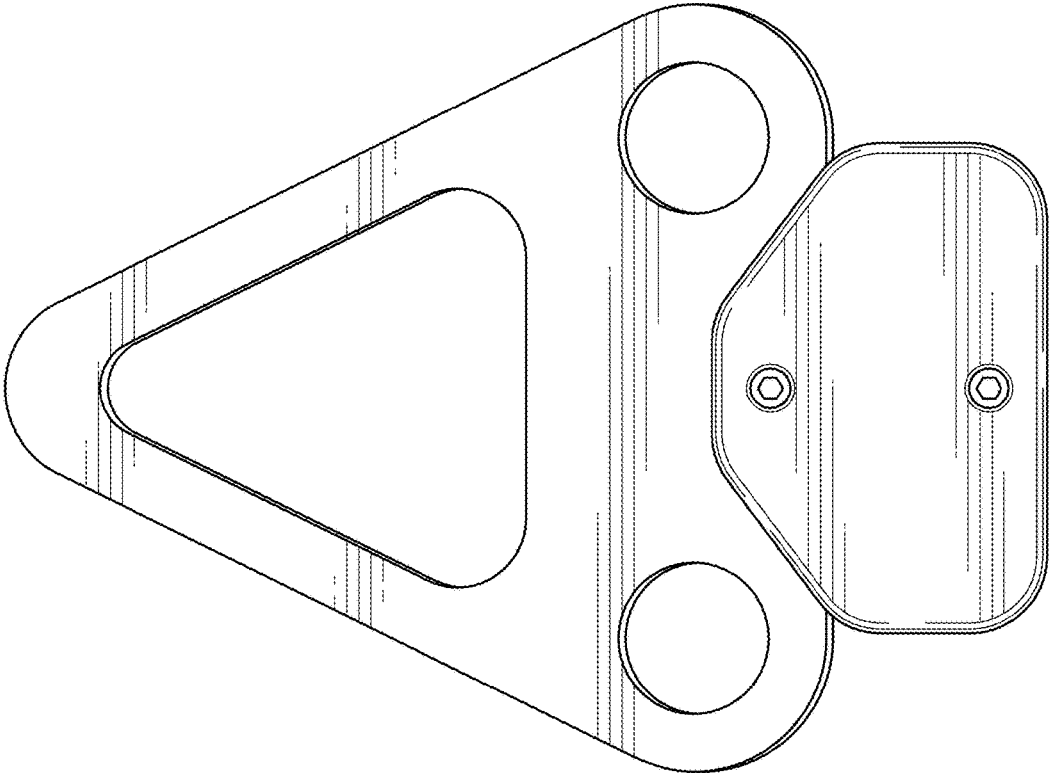


FIG. 3

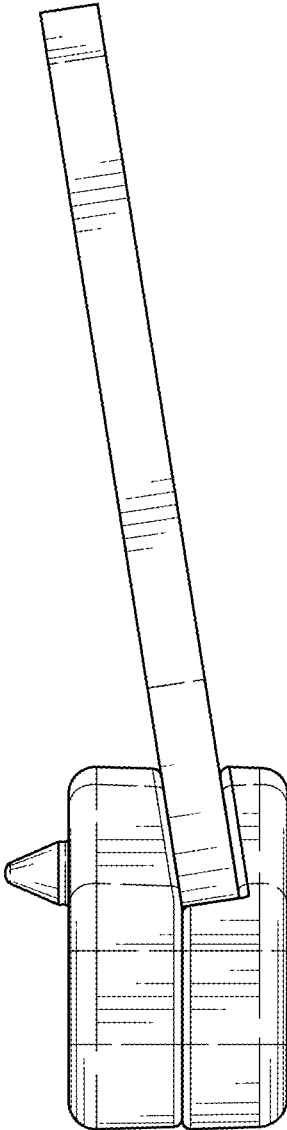


FIG. 4

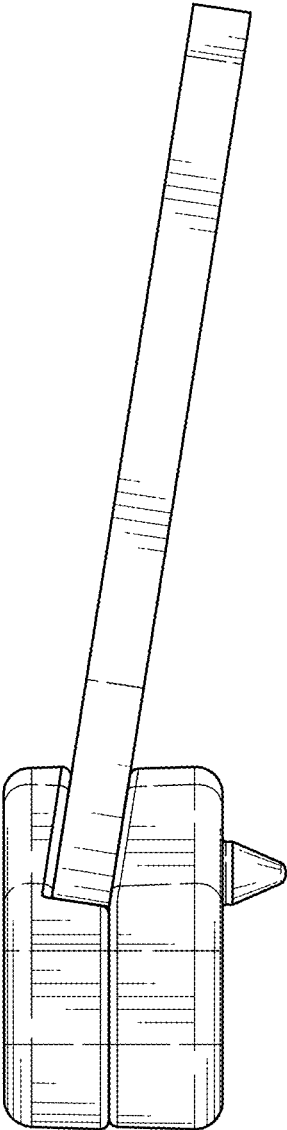


FIG. 5

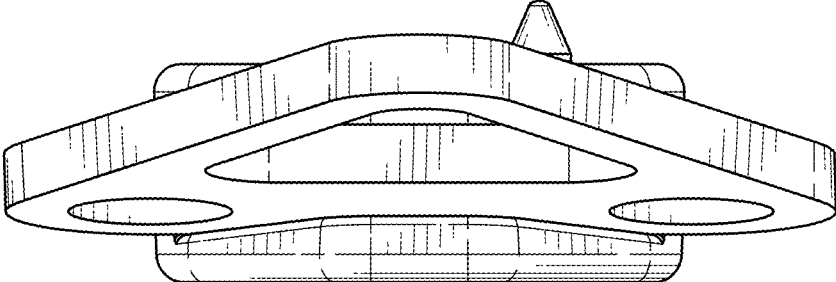


FIG. 6



FIG. 7