



US00D991775S

(12) **United States Design Patent**
Christensen et al.

(10) **Patent No.:** **US D991,775 S**
(45) **Date of Patent:** **** Jul. 11, 2023**

(54) **ADJUSTABLE PLATFORM WORK TRAY**

5,685,468 A 11/1997 Hernandez
D388,882 S * 1/1998 Kain D25/64
6,038,984 A * 3/2000 Freitag B25H 5/00
108/44

(71) Applicants: **Gary A. Christensen**, Buckeye, AZ
(US); **James Michael Hainline, Jr.**,
Surprise, AZ (US)

(Continued)

(72) Inventors: **Gary A. Christensen**, Buckeye, AZ
(US); **James Michael Hainline, Jr.**,
Surprise, AZ (US)

OTHER PUBLICATIONS

“E-Z Drill Introduces E-Z Tray for Lift Applications”, Mar. 15,
2010, LiftandAccess.com, site visited Jan. 17, 2023: <https://www.liftandaccess.com/content/e-z-drill-introduces-e-z-tray-lift-applications> (Year: 2010).*

(Continued)

(**) Term: **15 Years**

Primary Examiner — Jack Reickel
Assistant Examiner — Michael A Kervin

(21) Appl. No.: **29/824,896**

(22) Filed: **Jan. 27, 2022**

(51) **LOC (14) Cl.** **08-05**

(52) **U.S. Cl.**
USPC **D8/355**; D8/380

(57) **CLAIM**

The ornamental design for an adjustable platform work tray,
as shown and described.

(58) **Field of Classification Search**
USPC D6/698; D8/71, 354, 355, 363, 373, 380
CPC .. A47B 57/56; B25H 3/06; B25H 5/00; B66F
11/04; E04G 5/00; E04G 5/003
See application file for complete search history.

DESCRIPTION

FIG. 1 is a top front perspective view of an adjustable
platform work tray showing our new design;
FIG. 2 is a bottom rear perspective view thereof;
FIG. 3 is a front elevational view thereof;
FIG. 4 is a back elevational view thereof;
FIG. 5 is a left elevational view thereof;
FIG. 6 is a right elevational view thereof;
FIG. 7 is a top plan view thereof;
FIG. 8 is a bottom plan view thereof; and,
FIG. 9 is a reduced top front perspective view thereof,
shown with environment.

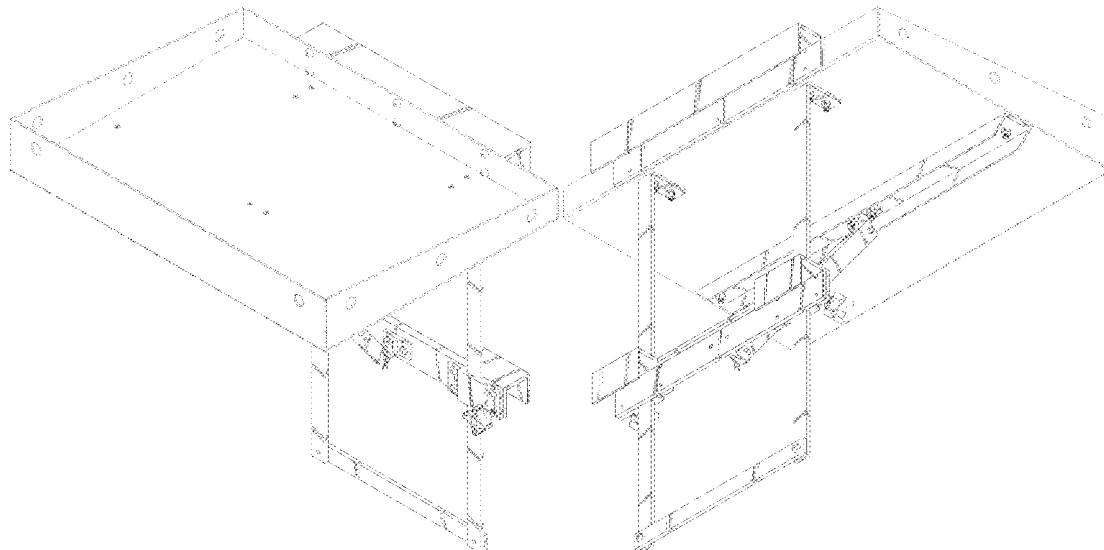
The broken line showing of nuts, bolts, holes, and a tray in
FIGS. 1-9 is for the purpose of illustrating portions of the
article and forms no part of the claimed design. The broken
line showing of a safety rail and tools in FIG. 9 is for the
purpose of illustrating environmental structure and forms no
part of the claimed design.

(56) **References Cited**

U.S. PATENT DOCUMENTS

2,481,604	A *	9/1949	Lorenzen	A47B 57/56 D15/138
3,166,277	A *	1/1965	Brison	B64C 27/32 248/440
D288,281	S *	2/1987	Spicer	D8/380
D312,008	S *	11/1990	Speed	D8/355
5,078,281	A *	1/1992	Johnson	B25H 3/06 211/DIG. 1
5,158,023	A *	10/1992	Allen	E04G 5/00 182/120
5,365,860	A *	11/1994	Billington, III	E04G 1/20 182/113
5,544,718	A *	8/1996	Schumacher	E06C 7/14 182/141
5,674,043	A *	10/1997	Dorn	A61G 3/06 187/222

1 Claim, 9 Drawing Sheets



(56)

References Cited

U.S. PATENT DOCUMENTS

6,082,270 A * 7/2000 Zerger B60N 3/001
108/42
6,095,057 A * 8/2000 Corban A47B 96/027
108/42
6,837,383 B1 * 1/2005 McElhaney, Jr. B25H 5/00
211/70.6
7,354,023 B1 * 4/2008 Wappler B25H 3/06
248/339
8,038,110 B2 * 10/2011 Talbott B65D 25/24
211/184
D662,398 S * 6/2012 Jahnke D8/355
D691,025 S * 10/2013 Belaidi D8/355
8,881,917 B1 * 11/2014 Sooknanan E04G 5/003
248/238
9,242,368 B2 * 1/2016 Huang B25H 5/00
D874,449 S * 2/2020 Ahrens D14/239
11,000,044 B1 * 5/2021 Williamson A22C 25/025
D924,597 S * 7/2021 Hirshburg D6/406.1
2005/0067361 A1 * 3/2005 Waymire B66F 11/04
211/70.6
2005/0263468 A1 * 12/2005 Wanda B25H 3/06
211/133.6
2007/0187184 A1 * 8/2007 Nasuti B66F 11/042
182/69.5
2007/0283854 A1 * 12/2007 Taylor B66F 7/28
108/42
2009/0218166 A1 * 9/2009 Newton E04G 5/003
182/129

2010/0108684 A1 * 5/2010 Talbott B65D 25/22
206/349
2012/0298539 A1 * 11/2012 Purnell, Jr. B25H 3/02
206/372
2012/0325992 A1 * 12/2012 Keshock E04G 1/24
248/214
2013/0206508 A1 * 8/2013 Rushlow E04G 1/18
206/557
2015/0246441 A1 * 9/2015 Huang B25H 5/00
206/557
2016/0008974 A1 * 1/2016 Blake B25H 3/06
206/373
2017/0014989 A1 * 1/2017 McGee B25H 1/0021
2017/0260810 A1 * 9/2017 Beaulieu E04G 1/28
2019/0161980 A1 * 5/2019 Walker, II E04G 1/24
2020/0189892 A1 * 6/2020 Huddleston E04G 5/00
2021/0002115 A1 * 1/2021 Seawell F16M 11/043
2023/0072661 A1 * 3/2023 Smith E04G 5/003
2023/0106905 A1 * 4/2023 Christensen B25H 3/06
108/152

OTHER PUBLICATIONS

“Aerial Lift and Scissor Lift Tool Organizers—Product Review by InventiveProductsInc.com”, Jul. 29, 2020, YouTube.com, site visited Jan. 17, 2023: <https://www.youtube.com/watch?v=Mra8w9y-6Js> (Year: 2020).*

* cited by examiner

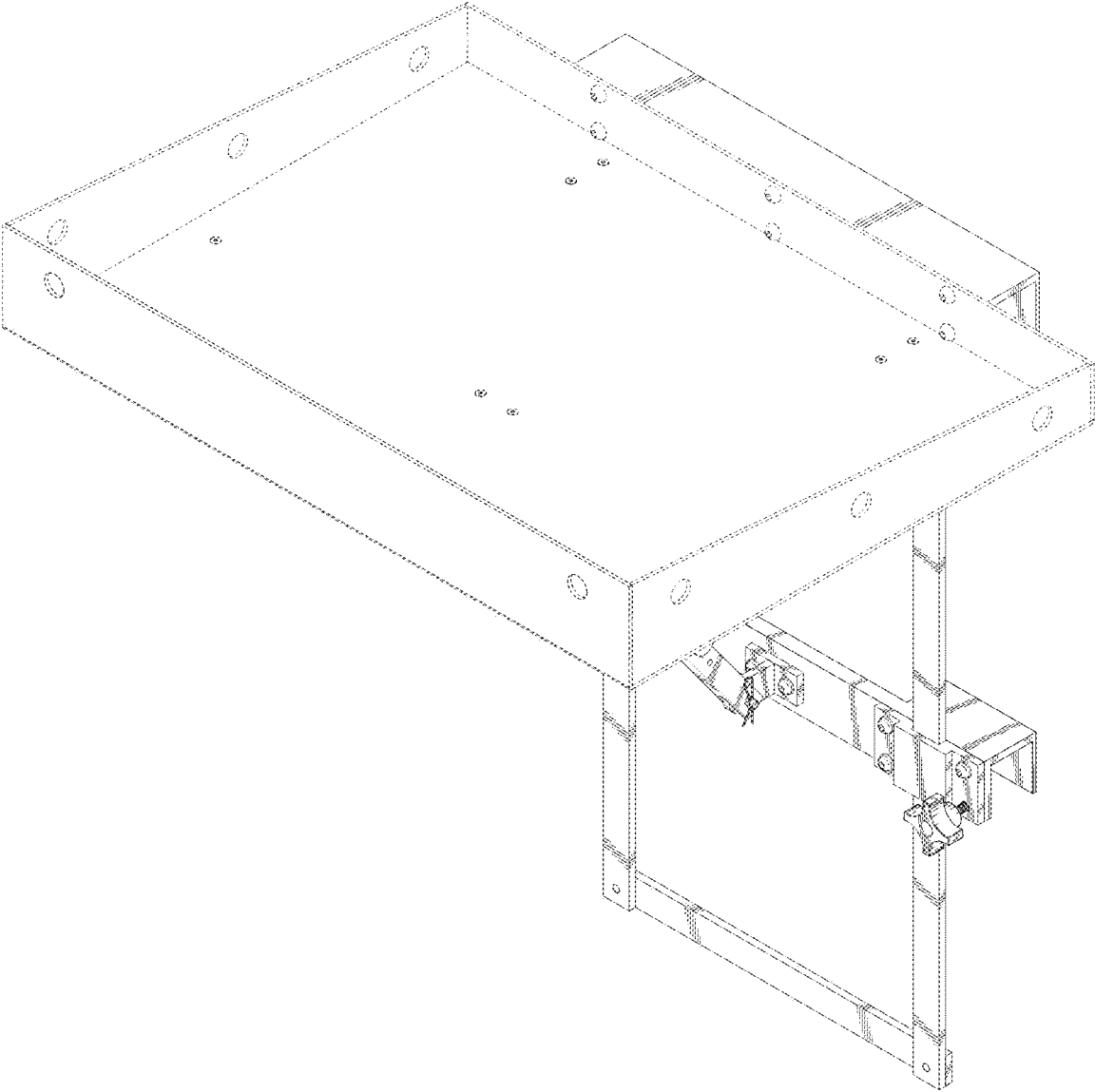


FIG. 1

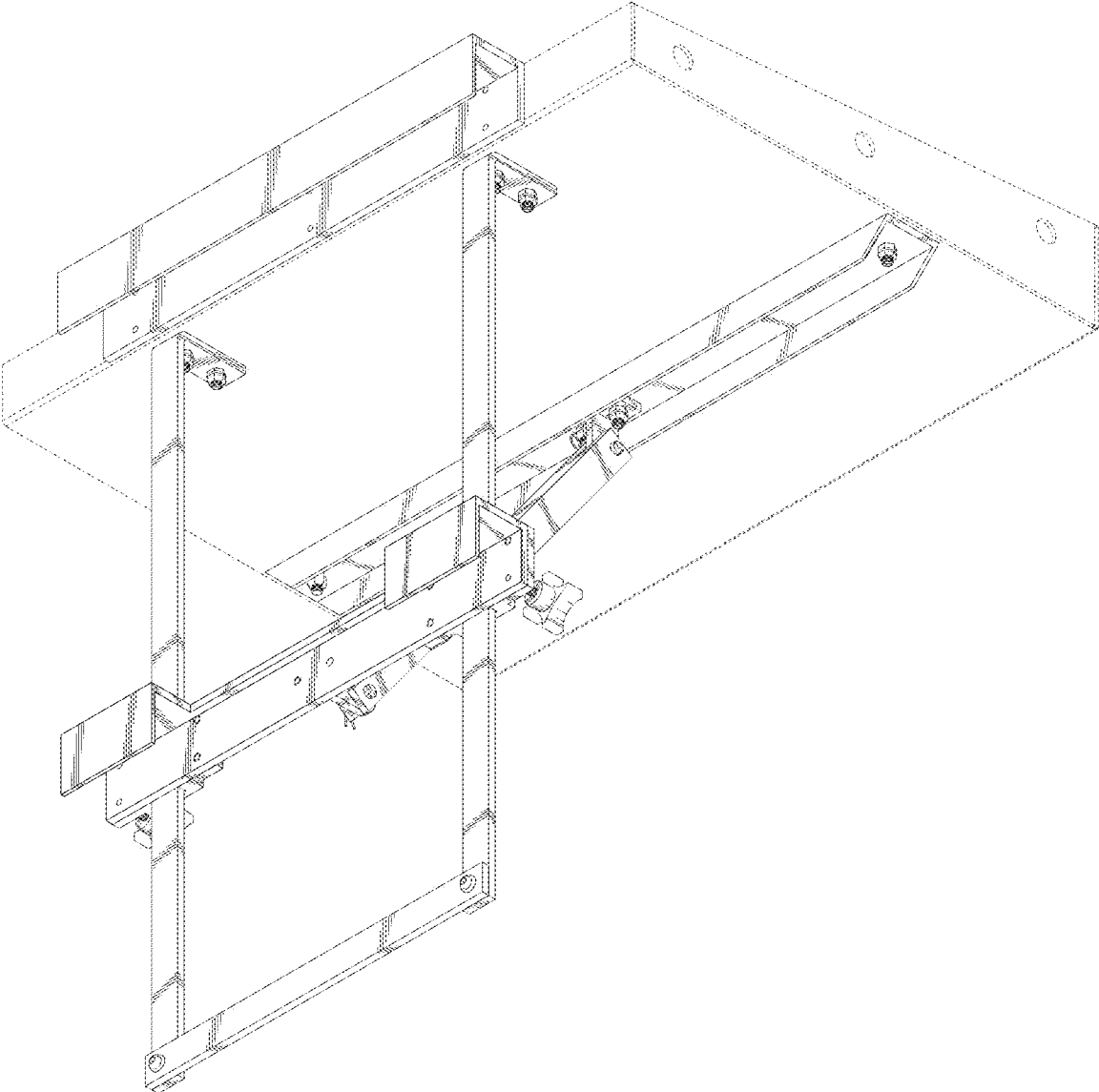


FIG. 2

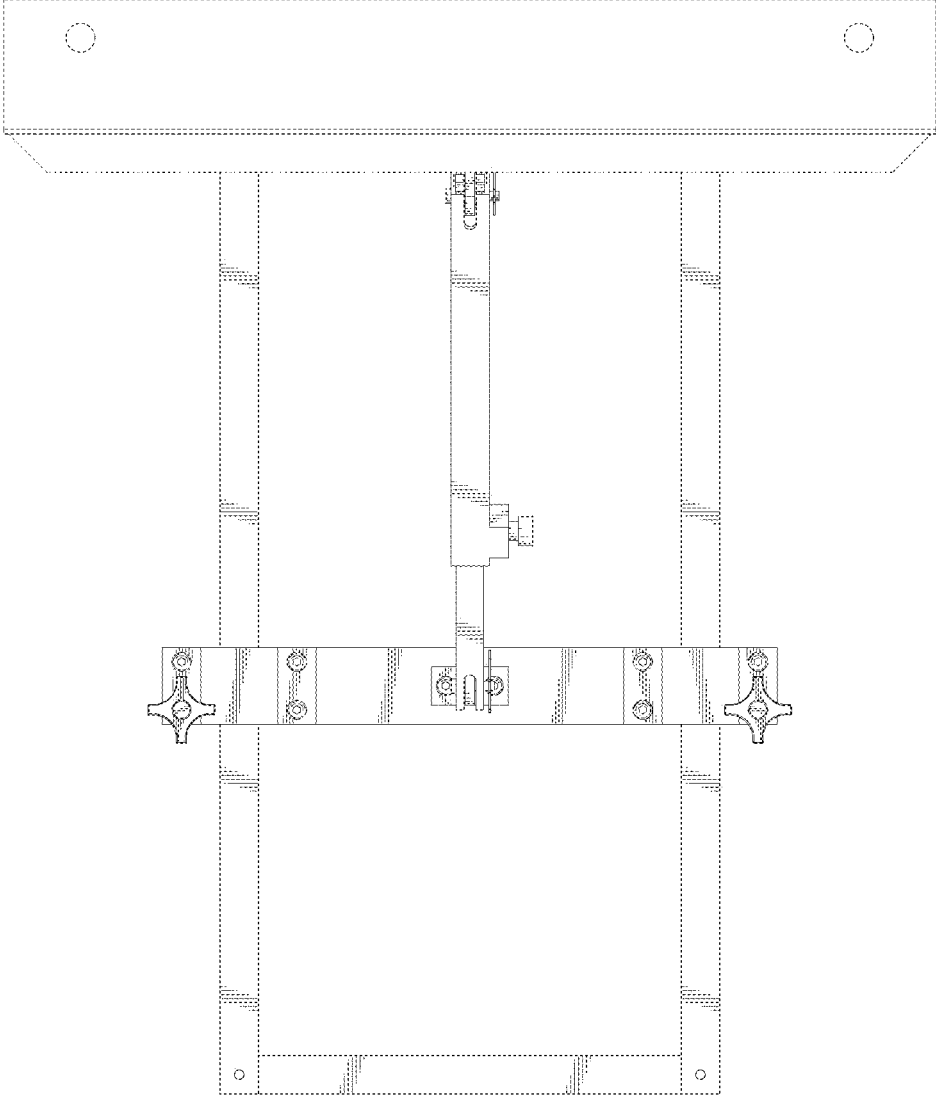


FIG. 3

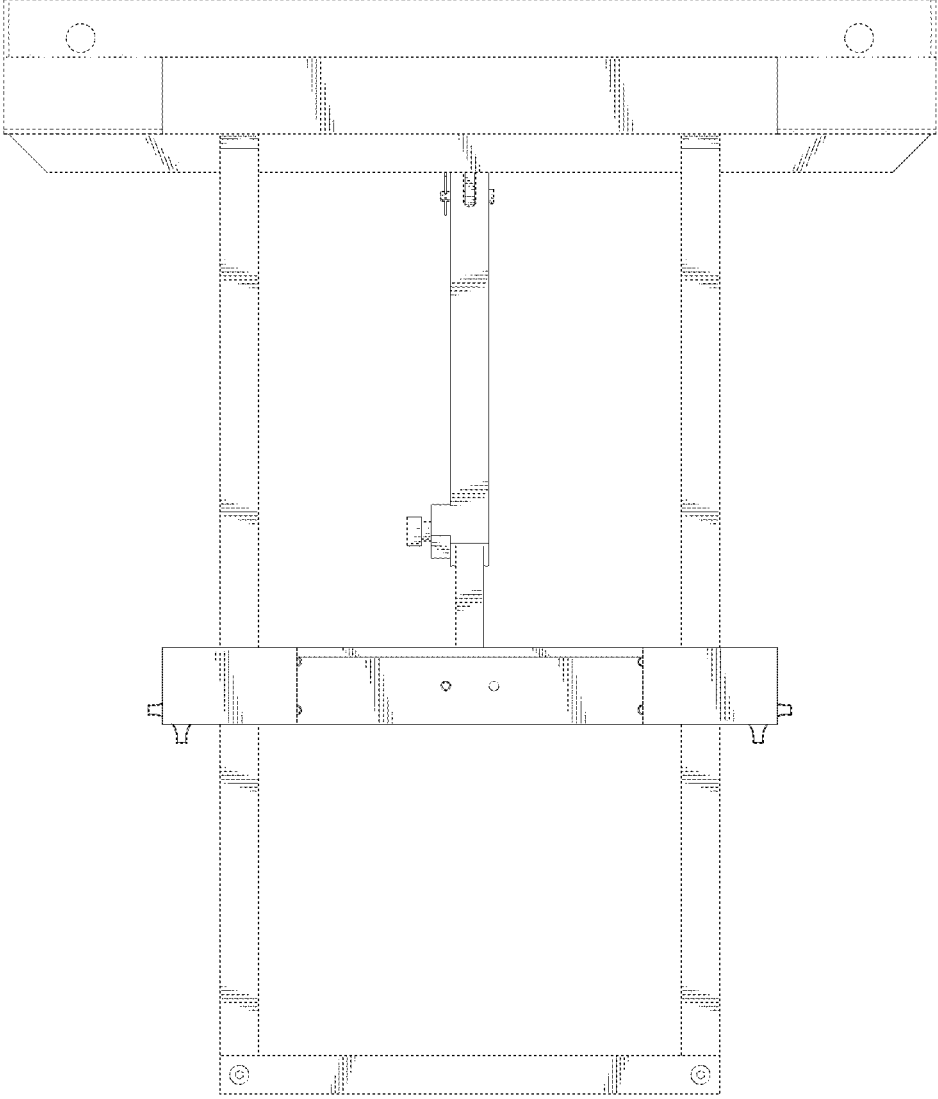


FIG. 4

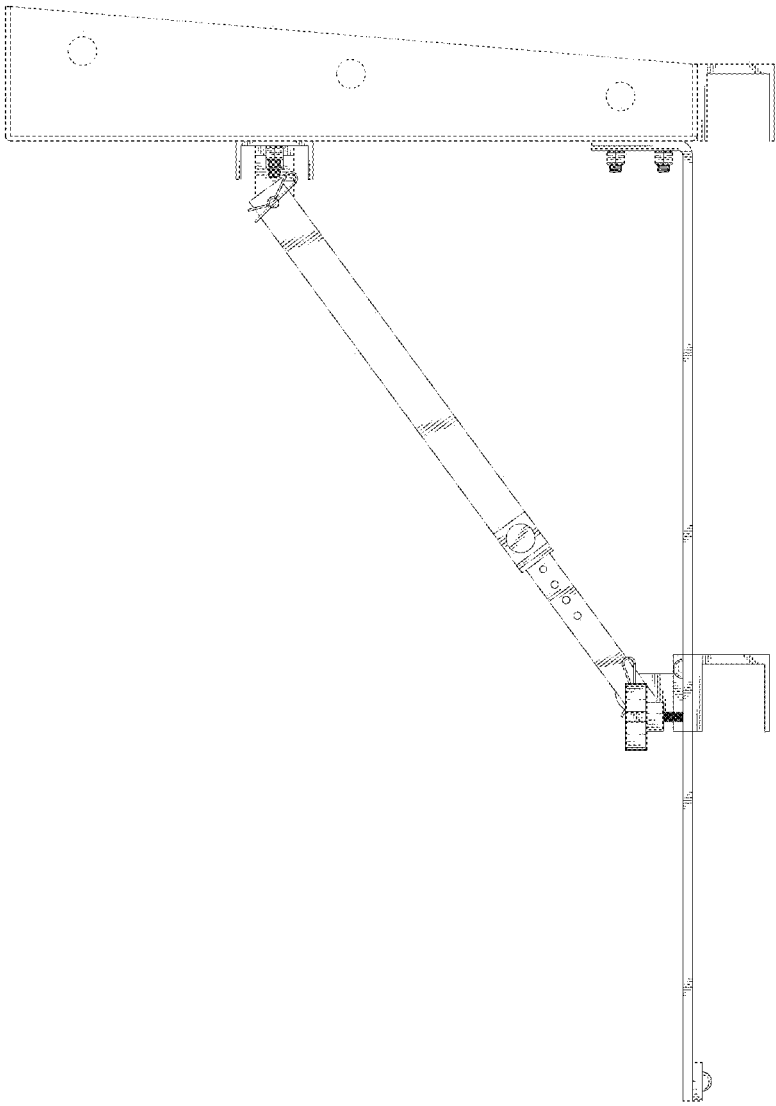


FIG. 5

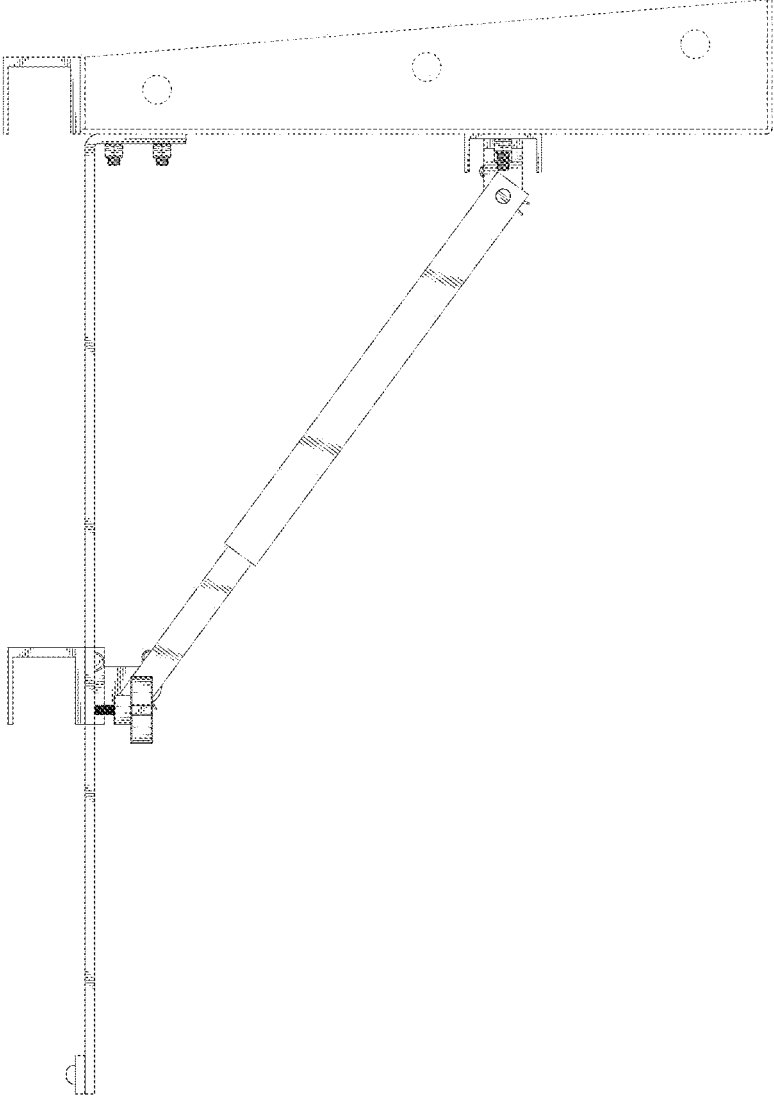


FIG. 6

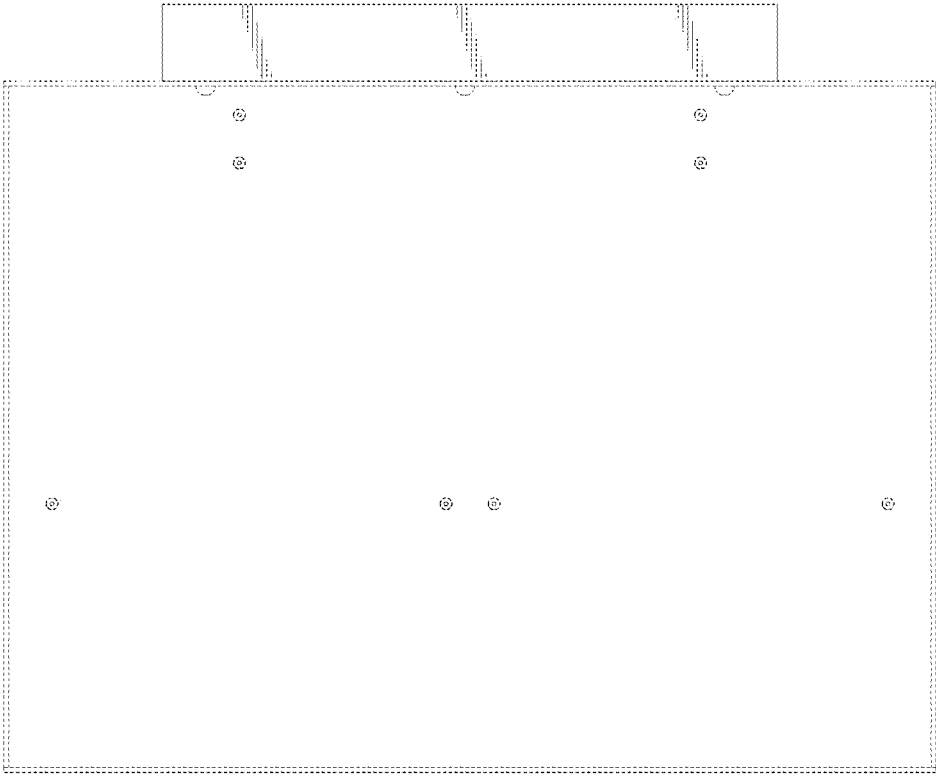


FIG. 7

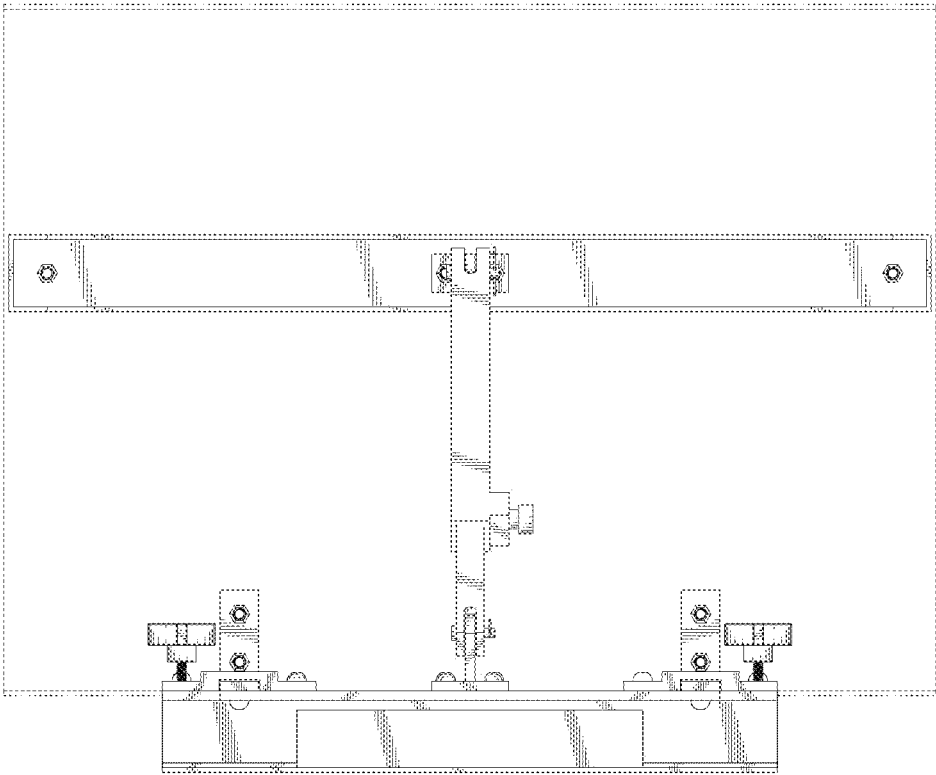


FIG. 8

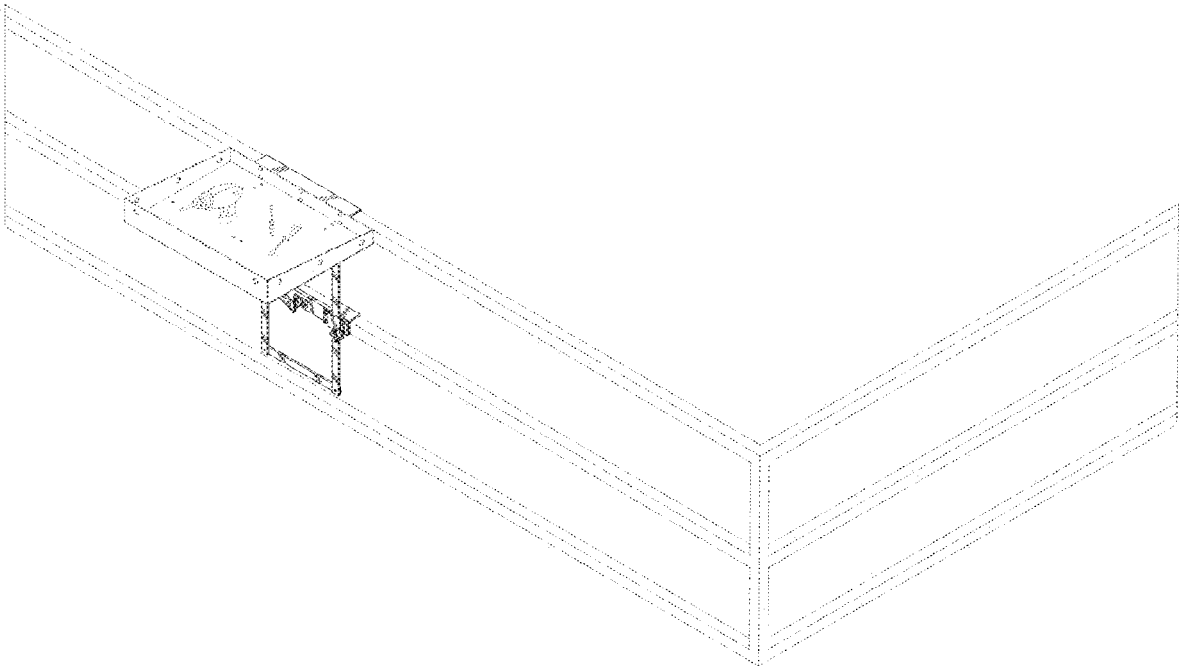


FIG. 9