



US00D723304S

(12) **United States Design Patent**  
**Chang**

(10) **Patent No.:** **US D723,304 S**

(45) **Date of Patent:** **\*\* Mar. 3, 2015**

(54) **PILLOW**

(71) Applicant: **Min-Chia Chang**, Tainan (TW)

(72) Inventor: **Min-Chia Chang**, Tainan (TW)

(\*\*) Term: **14 Years**

(21) Appl. No.: **29/479,599**

(22) Filed: **Jan. 17, 2014**

(30) **Foreign Application Priority Data**

Jul. 19, 2013 (TW) ..... 102304989

(51) **LOC (10) Cl.** ..... **06-09**

(52) **U.S. Cl.**  
USPC ..... **D6/601**

(58) **Field of Classification Search**  
USPC ..... D6/512, 595, 596, 601, 604, 715, 716,  
D6/716.1; D21/803, 804, 805, 809;  
D24/183-185, 234; 5/401, 417, 419,  
5/420, 600, 625, 630-636, 638, 639, 646,  
5/652, 655, 655.4, 690, 703, 730, 933,  
5/946, 947; 128/202.18, 845;  
297/180.11, 393, 397, 452.26, 452.48,  
297/452.62, 482; 441/127; 602/13

See application file for complete search history.

(56) **References Cited**

**U.S. PATENT DOCUMENTS**

848,437	A *	3/1907	Brown	.....	5/690
2,805,428	A *	9/1957	Buchman	.....	5/645
3,148,389	A *	9/1964	Lustig	.....	5/645
3,262,136	A *	7/1966	Sevcik	.....	297/452.62
6,760,935	B1 *	7/2004	Burton et al.	.....	5/645

6,988,286	B2 *	1/2006	Schecter et al.	.....	5/645
D549,282	S *	8/2007	Nakamura	.....	D19/26
D551,704	S *	9/2007	Nakamura	.....	D19/26
D621,196	S *	8/2010	Dellinger Andrick	.....	D6/601
8,245,339	B2 *	8/2012	Murray et al.	.....	5/657
D677,963	S *	3/2013	Jones	.....	D6/597
8,572,779	B2 *	11/2013	Pratt et al.	.....	5/636
2007/0174969	A1 *	8/2007	Nakamura	.....	5/640
2009/0106904	A1 *	4/2009	Swarts et al.	.....	5/636
2011/0290834	A1 *	12/2011	Pelz et al.	.....	224/259

**OTHER PUBLICATIONS**

Double Layer Cushion [online]. TED. [Retrieved on Nov. 20, 2014]. Retrieved from the Internet:<[https://ted.bg/en/products/m/for-kids/90-c158-double-layer-cushion\\_-\\_accessories](https://ted.bg/en/products/m/for-kids/90-c158-double-layer-cushion_-_accessories)>.\*

\* cited by examiner

*Primary Examiner* — Mary Ann Calabrese

*Assistant Examiner* — Jennifer L Rempfer

(74) *Attorney, Agent, or Firm* — Muncy, Geissler, Olds & Lowe, P.C.

(57) **CLAIM**

I claim, the ornamental design for a pillow, as shown and described.

**DESCRIPTION**

FIG. 1 is a perspective view of a pillow showing my present design;

FIG. 2 is a front view thereof;

FIG. 3 is a rear view thereof;

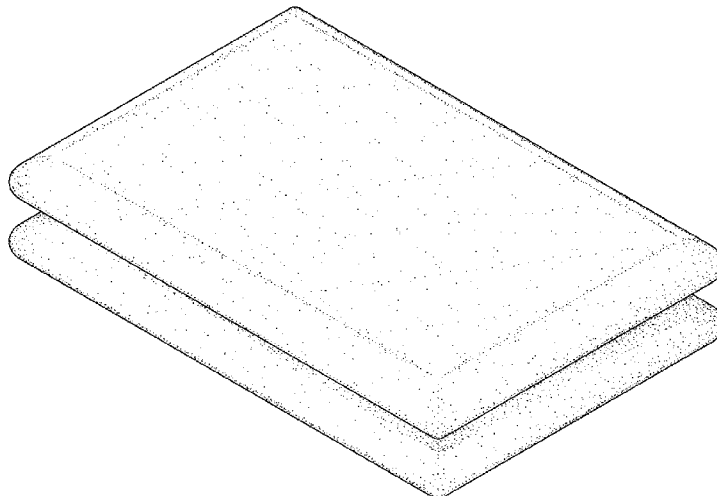
FIG. 4 is a left view thereof;

FIG. 5 is a right view thereof;

FIG. 6 is a top plan view thereof; and,

FIG. 7 is a bottom plan view.

**1 Claim, 4 Drawing Sheets**



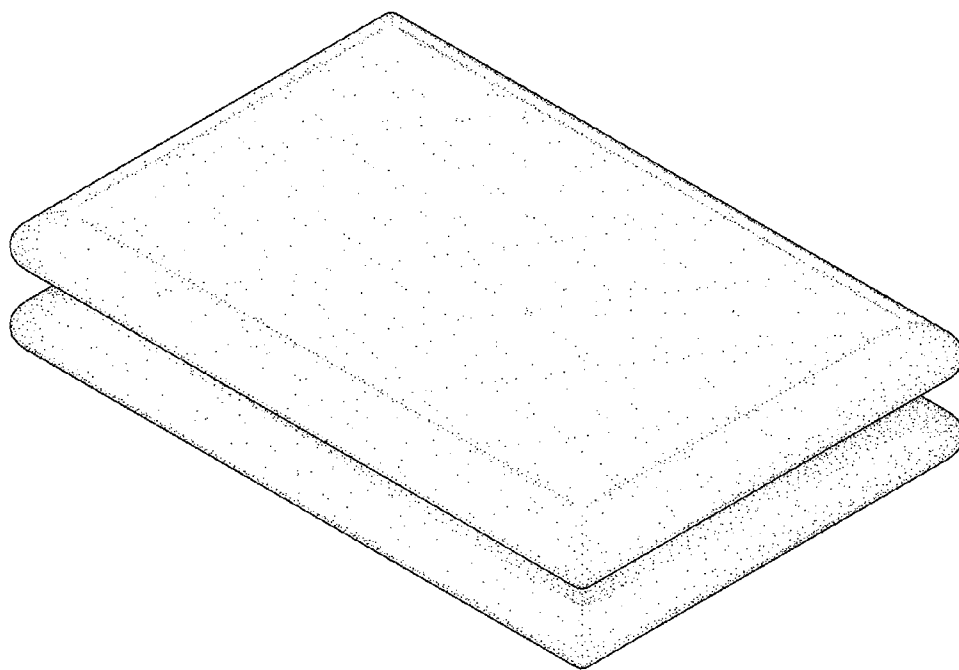


FIG. 1

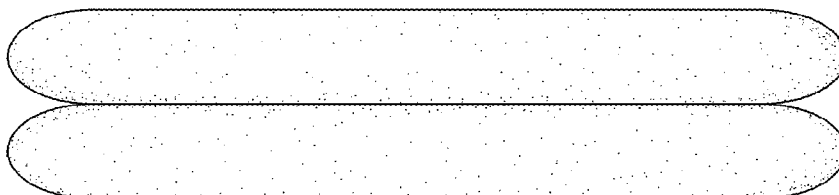


FIG. 2

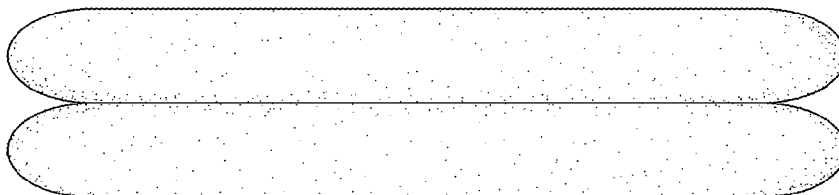


FIG. 3

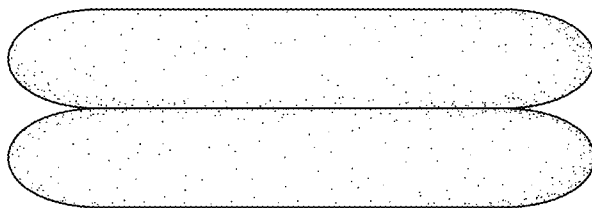


FIG. 4

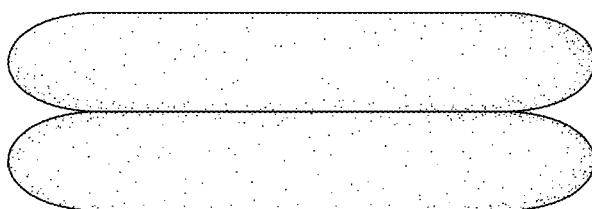


FIG. 5

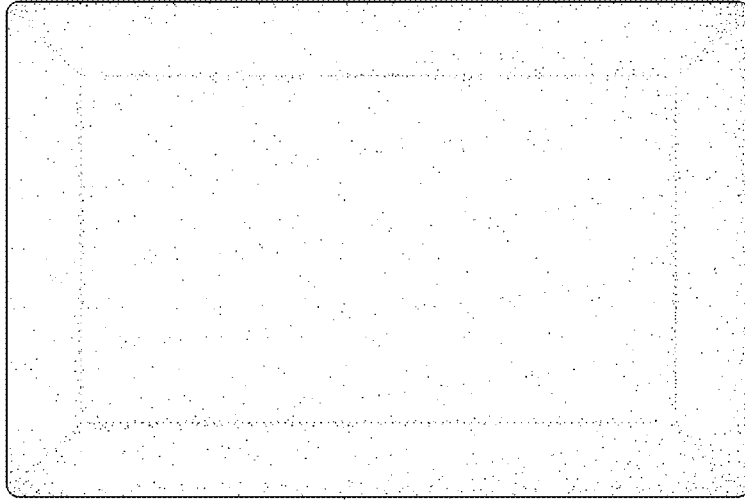


FIG. 6

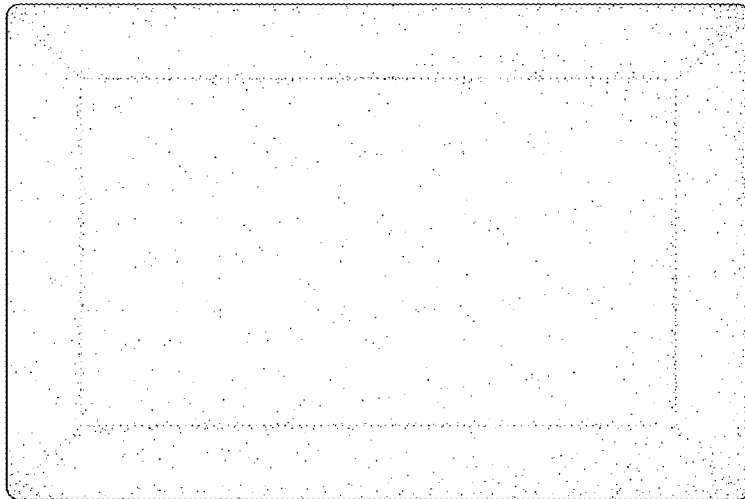


FIG. 7