



US00D861516S

(12) **United States Design Patent**
Rao

(10) **Patent No.:** **US D861,516 S**

(45) **Date of Patent:** **** Oct. 1, 2019**

- (54) **RANGEFINDER**
- (71) Applicant: **Shenzhen Global Egrow E-Commerce Co., LTD**, Shenzhen (CN)
- (72) Inventor: **Zhiwen Rao**, Jiangxi (CN)
- (73) Assignee: **Shenzhen Global Egrow E-Commerce Co., LTD**, Shenzhen (CN)
- (**) Term: **15 Years**
- (21) Appl. No.: **29/656,344**

D574,276 S *	8/2008	Burkandt	D10/70
7,508,497 B2 *	3/2009	LaBelle	G01C 3/08 356/5.01
D607,352 S *	1/2010	Hackenberg	D10/70
7,978,314 B2 *	7/2011	Henschel	G01C 3/02 356/4.01
D670,582 S *	11/2012	Matuschek	D10/70
D673,062 S *	12/2012	Marzynski	D10/70
D692,329 S *	10/2013	Burkandt	D10/70
D692,330 S *	10/2013	Burkandt	D10/70
D797,583 S *	9/2017	Chou	D10/70
D799,349 S *	10/2017	Mathier	D10/70
D805,412 S *	12/2017	Lu	D10/70
D813,062 S *	3/2018	He	D10/70
9,971,034 B2 *	5/2018	Gros	G01S 17/08

* cited by examiner

- (22) Filed: **Jul. 11, 2018**
- (51) **LOC (12) Cl.** **10-04**
- (52) **U.S. Cl.**
USPC **D10/70**
- (58) **Field of Classification Search**
USPC D10/70
CPC ... G01C 3/00; G01C 3/02; G01C 3/04; G01C
3/06; G01C 3/08; G01C 3/085; G01C
3/10; G01C 3/12; G01C 3/16; G01C
3/14; G01C 3/18; G01C 3/20; G01C
3/22; G01C 3/24; G01C 3/26; G01C
3/28; G01C 3/30; G01C 3/32; G01C
15/006; G01S 7/4813; G02B 23/16;
G02B 23/165

See application file for complete search history.

(56) **References Cited**
U.S. PATENT DOCUMENTS

D539,680 S *	4/2007	Liu	D10/70
7,221,435 B2 *	5/2007	Stierle	G01C 3/08 356/4.01

Primary Examiner — Antoine Duval Davis
(74) *Attorney, Agent, or Firm* — JCIPRNET

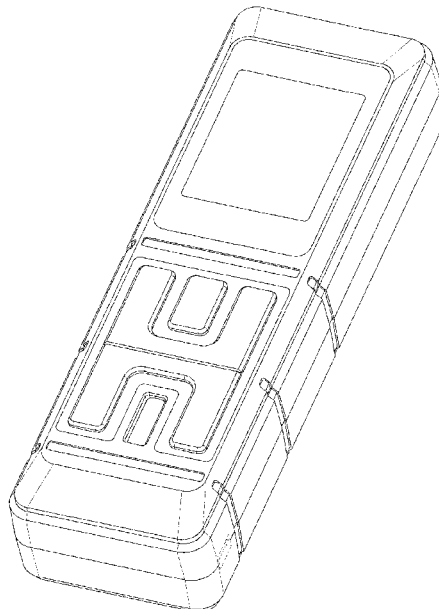
(57) **CLAIM**

The ornamental design for a rangefinder, as shown and described.

DESCRIPTION

FIG. 1 is a perspective view of a rangefinder showing my new design;
FIG. 2 is a front view thereof;
FIG. 3 is a rear view thereof;
FIG. 4 is a left side view thereof;
FIG. 5 is a right side view thereof;
FIG. 6 is a top view thereof; and,
FIG. 7 is a bottom view thereof.
The broken lines illustrate portions of the rangefinder and form no part of the claimed design.

1 Claim, 4 Drawing Sheets



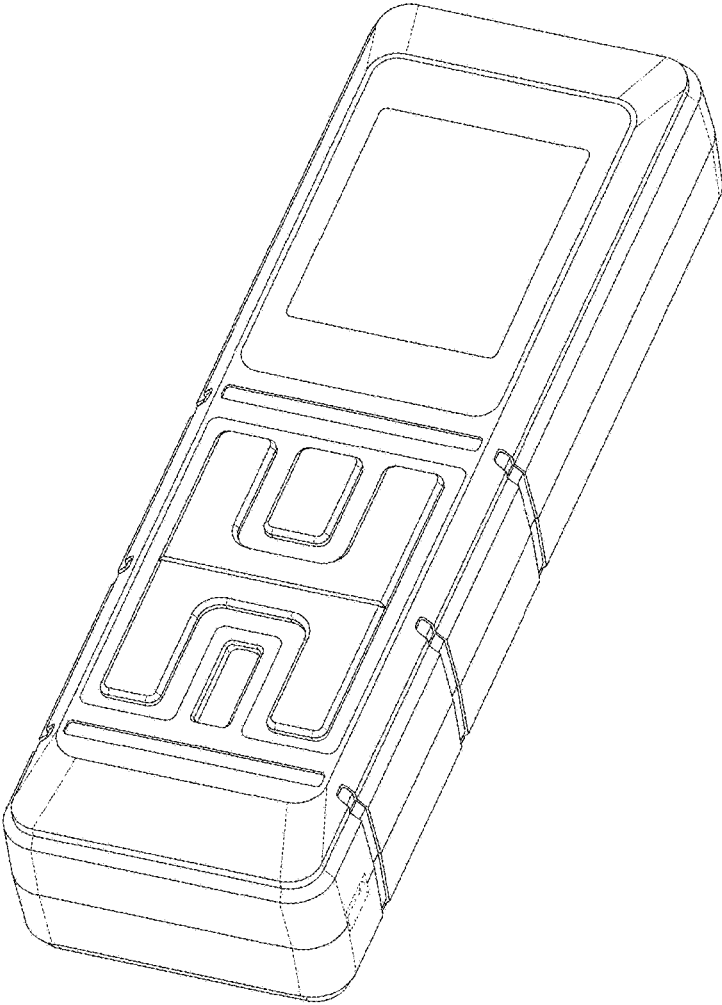


FIG. 1

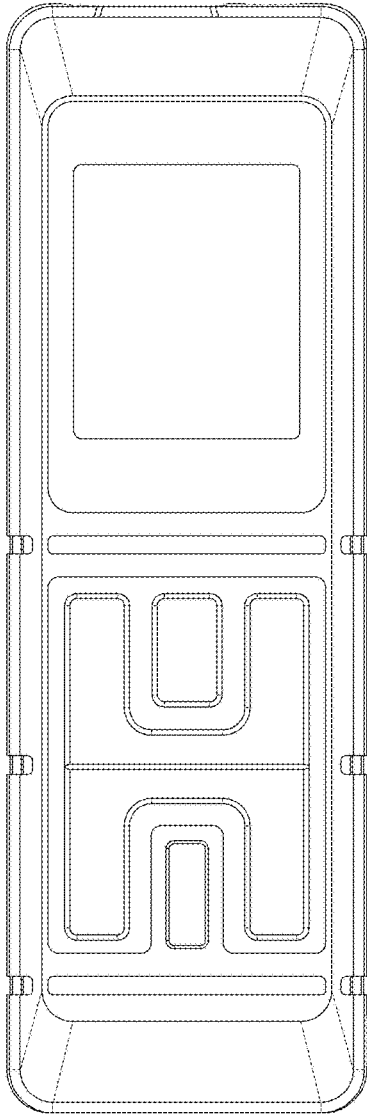


FIG. 2

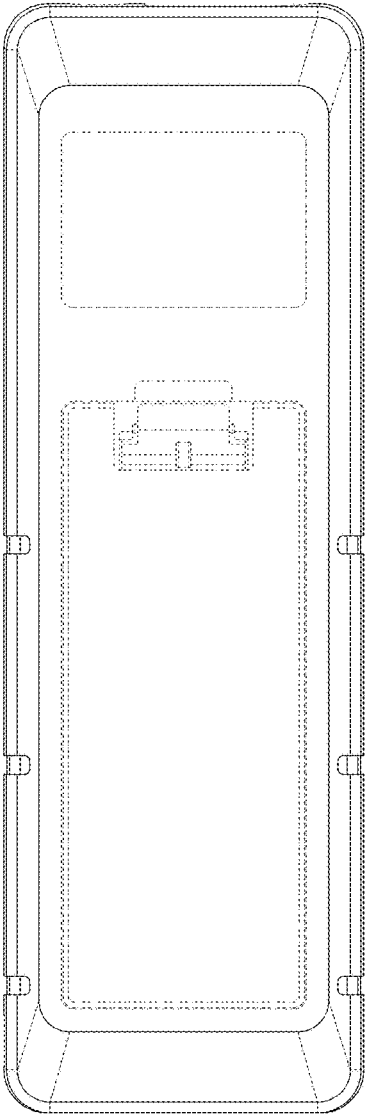


FIG. 3

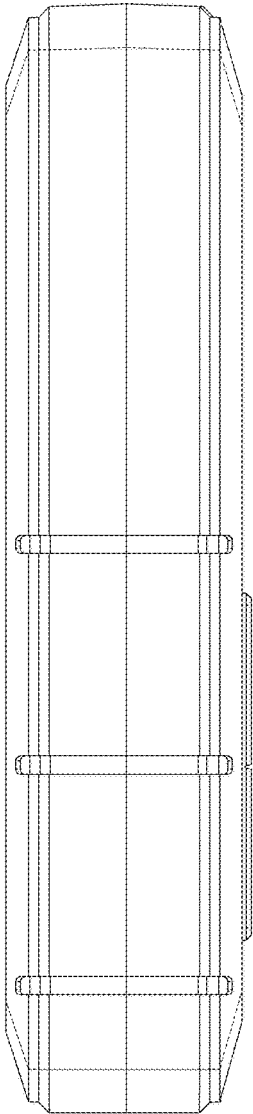


FIG. 4

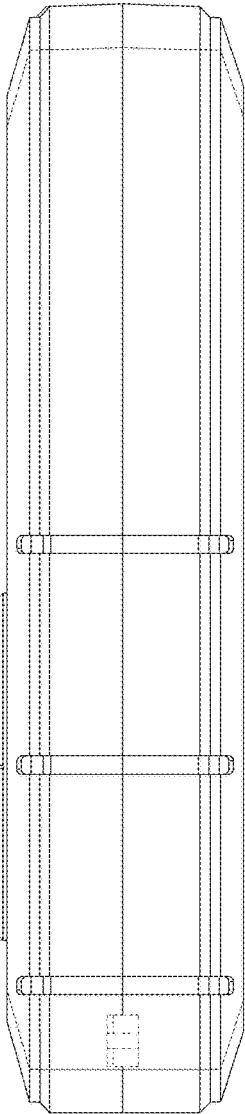


FIG. 5

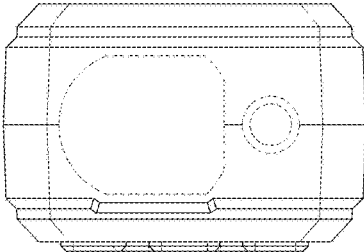


FIG. 6

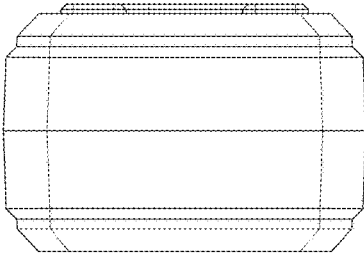


FIG. 7