



US00D770360S

(12) **United States Design Patent** (10) **Patent No.:** **US D770,360 S**
Carrier (45) **Date of Patent:** **** Nov. 1, 2016**

(54) **CAR SEAT BACK ORGANIZER**

OTHER PUBLICATIONS

- (71) Applicant: **TALUS CORPORATION**, Portland, ME (US)
- (72) Inventor: **Jason Currier**, Portland, ME (US)
- (73) Assignee: **Talus Corporation**, Portland, ME (US)
- (**) Term: **15 Years**
- (21) Appl. No.: **29/529,377**

Talus Corporation, High Road Car Seat Entertainment Organizer, available at <http://www.talusproducts.com/product-p/entertainmentblk.htm>, Jan. 1, 2015.

* cited by examiner

Primary Examiner — Katrina A Betton
(74) *Attorney, Agent, or Firm* — Tredecim LLC; Sean L. Sweeney

- (22) Filed: **Jun. 5, 2015**
- (51) **LOC (10) Cl.** **12-16**
- (52) **U.S. Cl.**
USPC **D12/415**
- (58) **Field of Classification Search**
USPC D12/415-426.1
CPC F16M 11/12; F16M 11/10
See application file for complete search history.

(57) **CLAIM**
The ornamental design for a car seat back organizer, as shown and described.

(56) **References Cited**

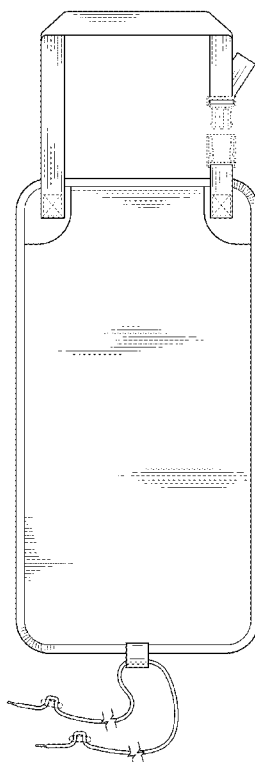
DESCRIPTION

U.S. PATENT DOCUMENTS

D497,874	S	*	11/2004	Fialla-Dori	D12/416
D515,497	S	*	2/2006	Watson	D12/416
D539,037	S	*	3/2007	Bergh	D12/416
D632,242	S	*	2/2011	Currie	D12/416
D632,510	S	*	2/2011	Johnson	D12/416
D650,733	S	*	12/2011	Cooney	D12/416
D658,568	S	*	5/2012	Currier	D12/416
D713,849	S	*	9/2014	Kirwer	D12/416

FIG. 1 is a front view of a car seat back organizer showing my new design;
FIG. 2 is a rear view thereof;
FIG. 3 is a left side view thereof, the right side being a mirror image;
FIG. 4 is a top view thereof;
FIG. 5 is a bottom view thereof; and,
FIG. 6 is a perspective front view thereof.
The dashed lines are for illustrative purposes only and form no part of the claimed design.

1 Claim, 5 Drawing Sheets



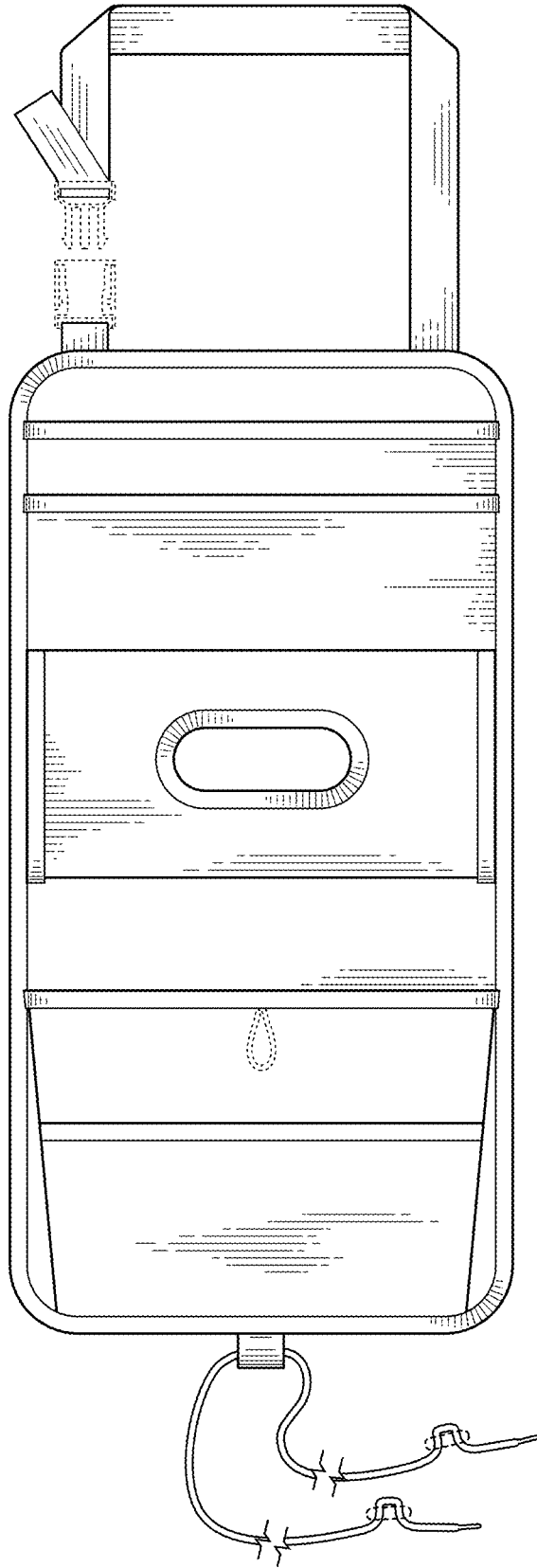


FIG. 1

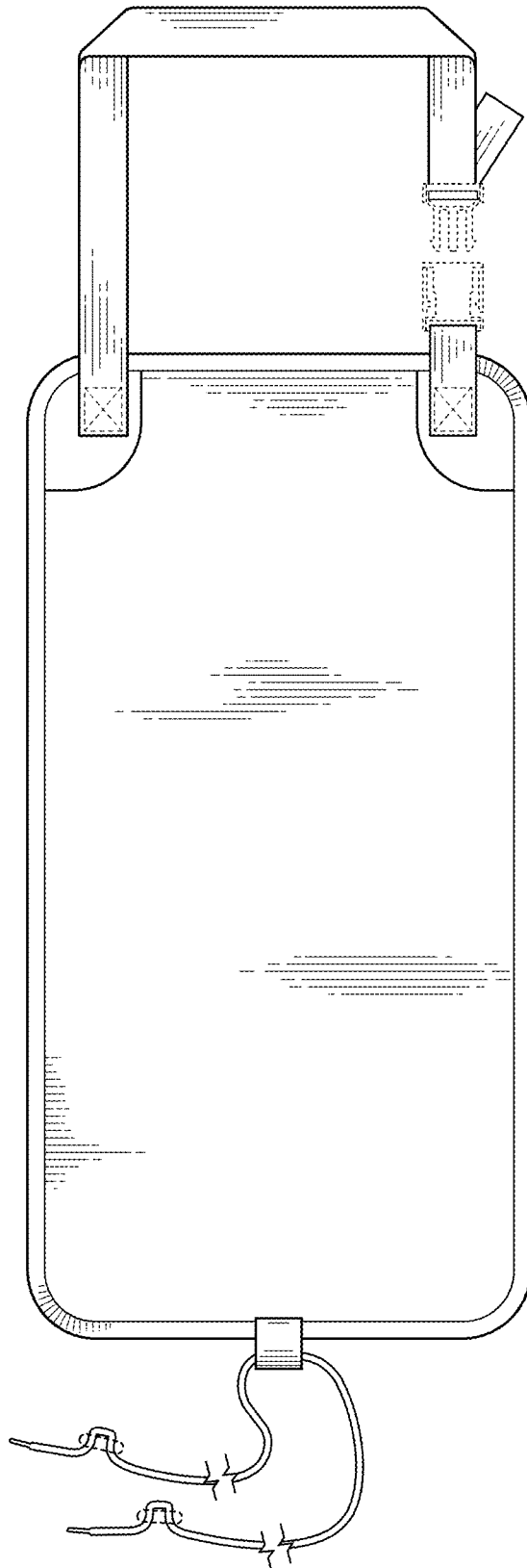


FIG. 2

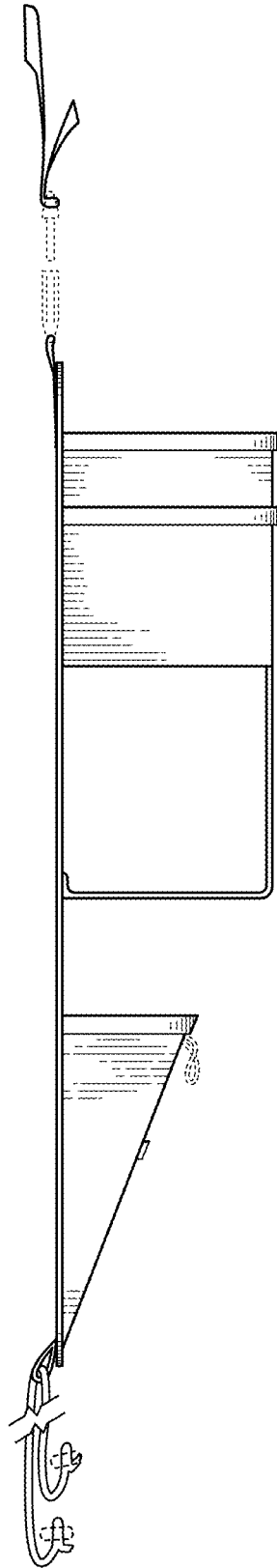


FIG. 3

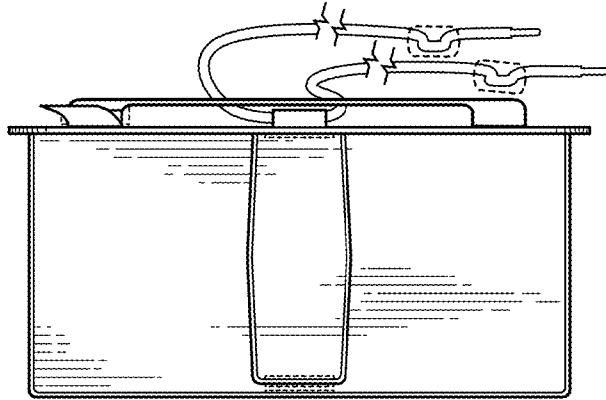


FIG. 4

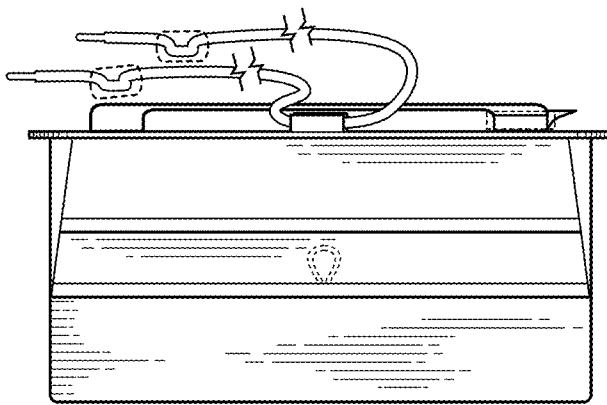


FIG. 5

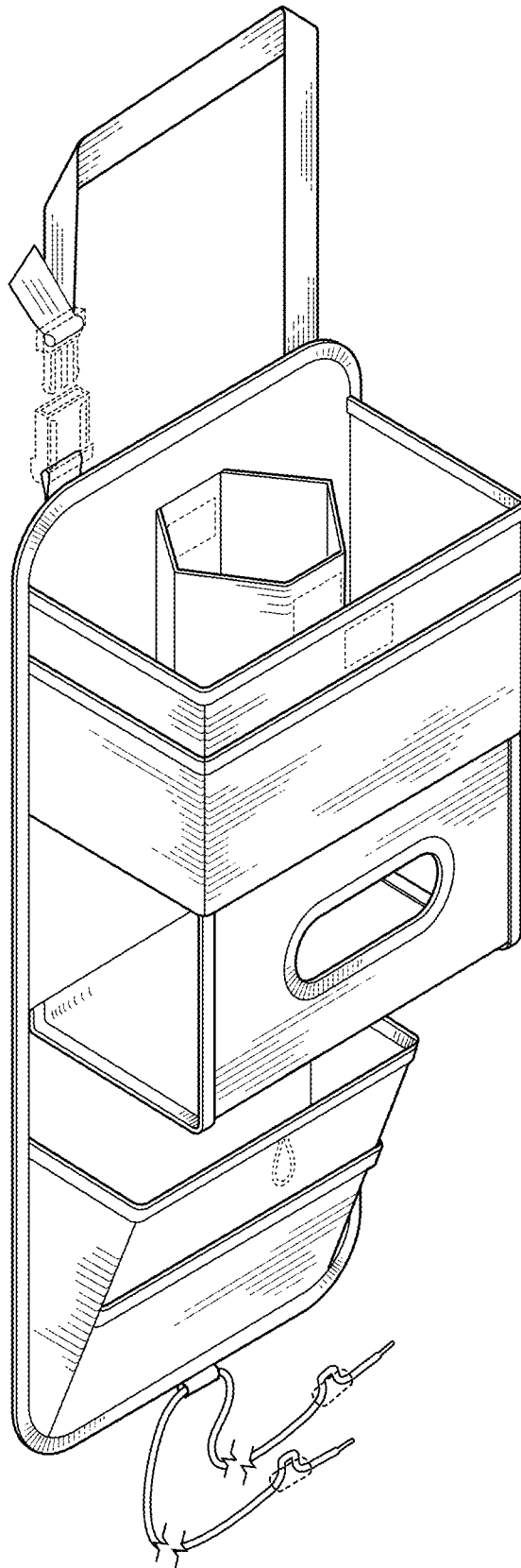


FIG. 6