



US0D1022665S

(12) **United States Design Patent**
Zhang

(10) **Patent No.:** **US D1,022,665 S**

(45) **Date of Patent:** **** Apr. 16, 2024**

(54) **FILM APPLICATOR**

(71) Applicant: **Haibing Zhang**, Guangdong (CN)

(72) Inventor: **Haibing Zhang**, Guangdong (CN)

(**) Term: **15 Years**

(21) Appl. No.: **29/920,712**

(22) Filed: **Dec. 12, 2023**

(30) **Foreign Application Priority Data**

Nov. 29, 2023 (CN) 202330782519.X

(51) **LOC (14) Cl.** **08-05**

(52) **U.S. Cl.**
USPC **D8/14**

(58) **Field of Classification Search**
USPC D6/672, 684, 680, 683.1, 703.5; D8/14,
D8/349, 354, 355, 330, 331, 380;
D14/432
CPC . B29C 63/00; B29C 63/48; B29C 2063/0008;
B29C 2063/485; H04B 1/3888
See application file for complete search history.

(56) **References Cited**

U.S. PATENT DOCUMENTS

9,479,212	B1 *	10/2016	Garcia	G06F 1/189
D812,063	S *	3/2018	Lane	D14/432
D832,847	S *	11/2018	Wadsworth	D14/432
D939,929	S *	1/2022	Ryu	D8/349
D964,829	S *	9/2022	Zhou	D8/14
11,446,912	B2 *	9/2022	Liu	B32B 37/003
D973,472	S	12/2022	Zhong		
D981,213	S *	3/2023	Zhou	D8/349
D994,462	S	8/2023	Zhou		

D1,013,473	S *	2/2024	He	D8/51
2015/0000831	A1 *	1/2015	Wang	B29C 63/02
					156/391
2015/0314523	A1 *	11/2015	Mason	B29C 63/02
					156/247
2021/0046692	A1 *	2/2021	Vinson	B29C 63/0004
2023/0330916	A1 *	10/2023	Zhou	B29C 63/0004
2023/0344458	A1 *	10/2023	Li	B29C 63/025

* cited by examiner

Primary Examiner — Michael C Stout

Assistant Examiner — Benjamin M Weeks

(74) *Attorney, Agent, or Firm* — Kunzler Bean & Adamson, PC; Bryan Pitt

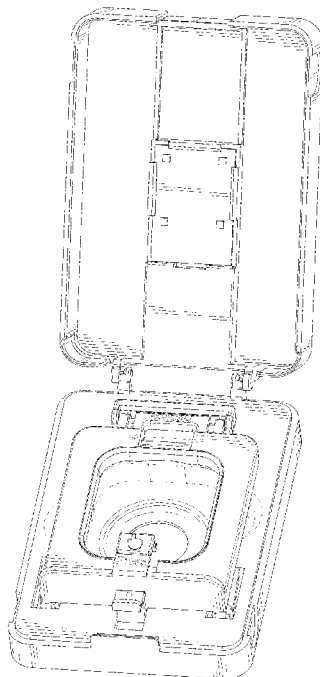
(57) **CLAIM**

The ornamental design for a film applicator, as shown and described.

DESCRIPTION

FIG. 1 is a front, right and bottom perspective view of a film applicator, showing my design.
FIG. 2 is a rear, left and bottom perspective view thereof.
FIG. 3 is a front elevation view thereof.
FIG. 4 is a rear elevation view thereof.
FIG. 5 is a left side elevation view thereof.
FIG. 6 is a right side elevation view thereof.
FIG. 7 is a top plan view thereof.
FIG. 8 is a bottom plan view thereof.
FIG. 9 is another front, right and bottom perspective view of the film applicator in a first usable state; and,
FIG. 10 is another front, right and bottom perspective view of the film applicator in a second usable state.
The broken lines depict portions of the film applicator that form no part of the claimed design.

1 Claim, 10 Drawing Sheets



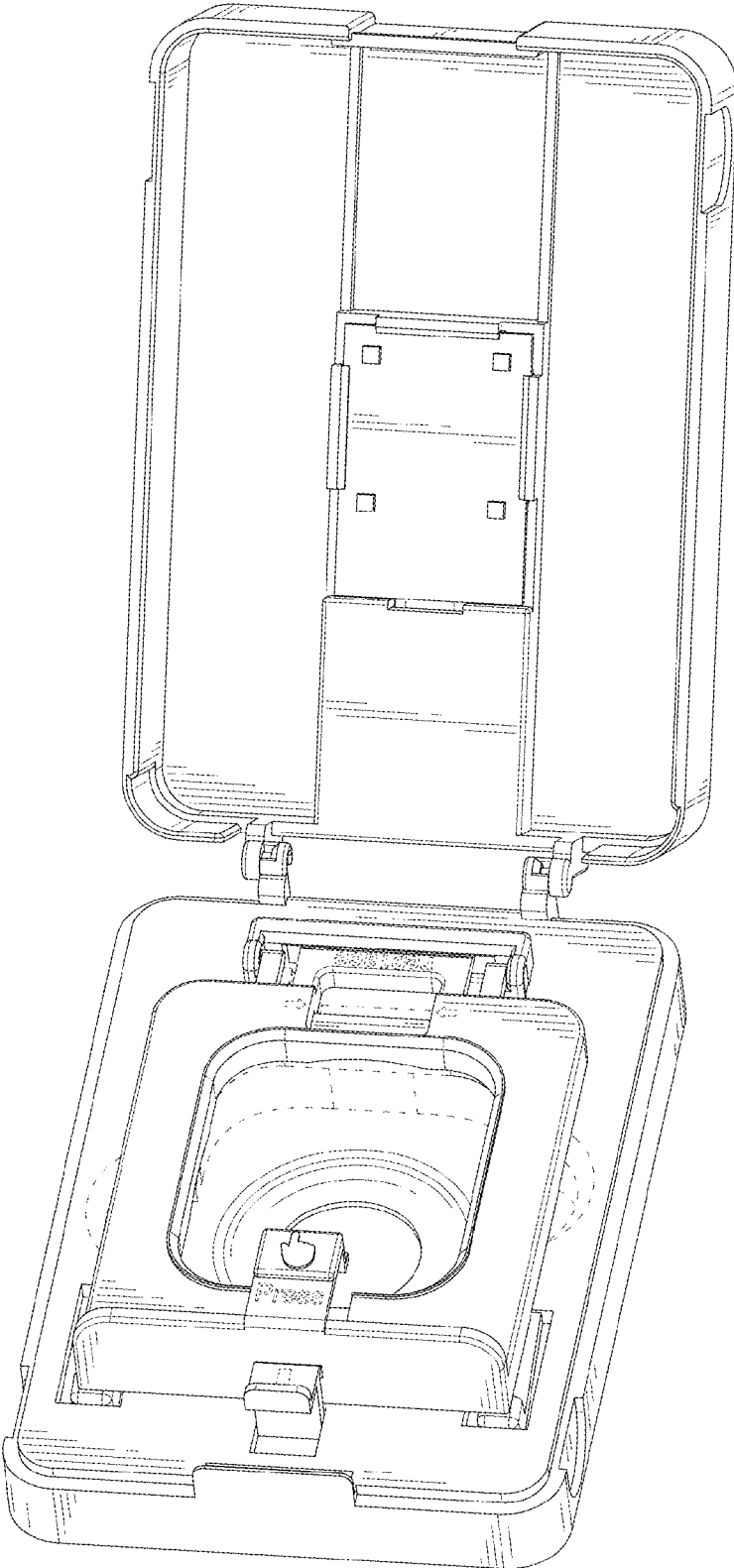


FIG. 1

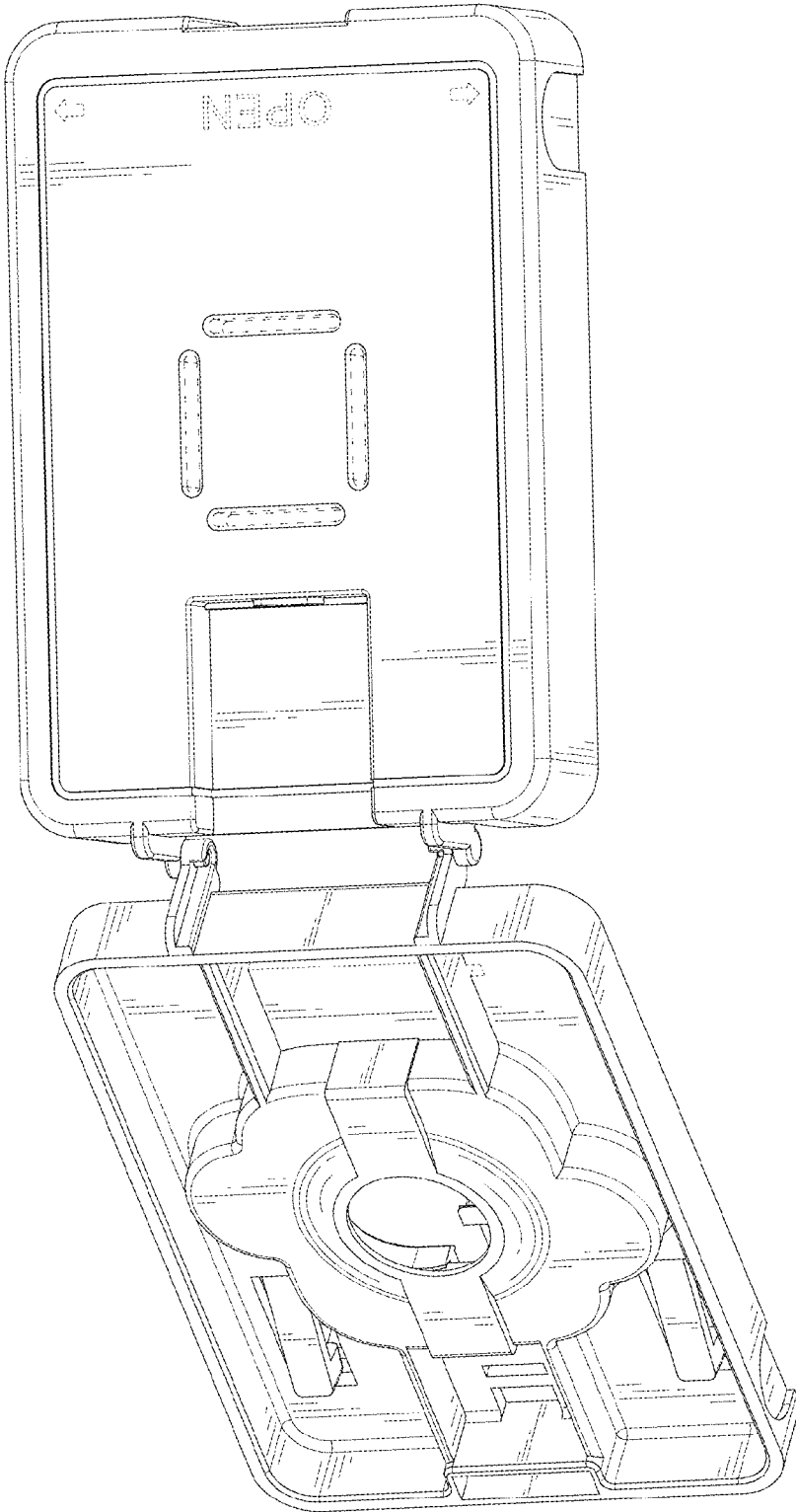


FIG. 2

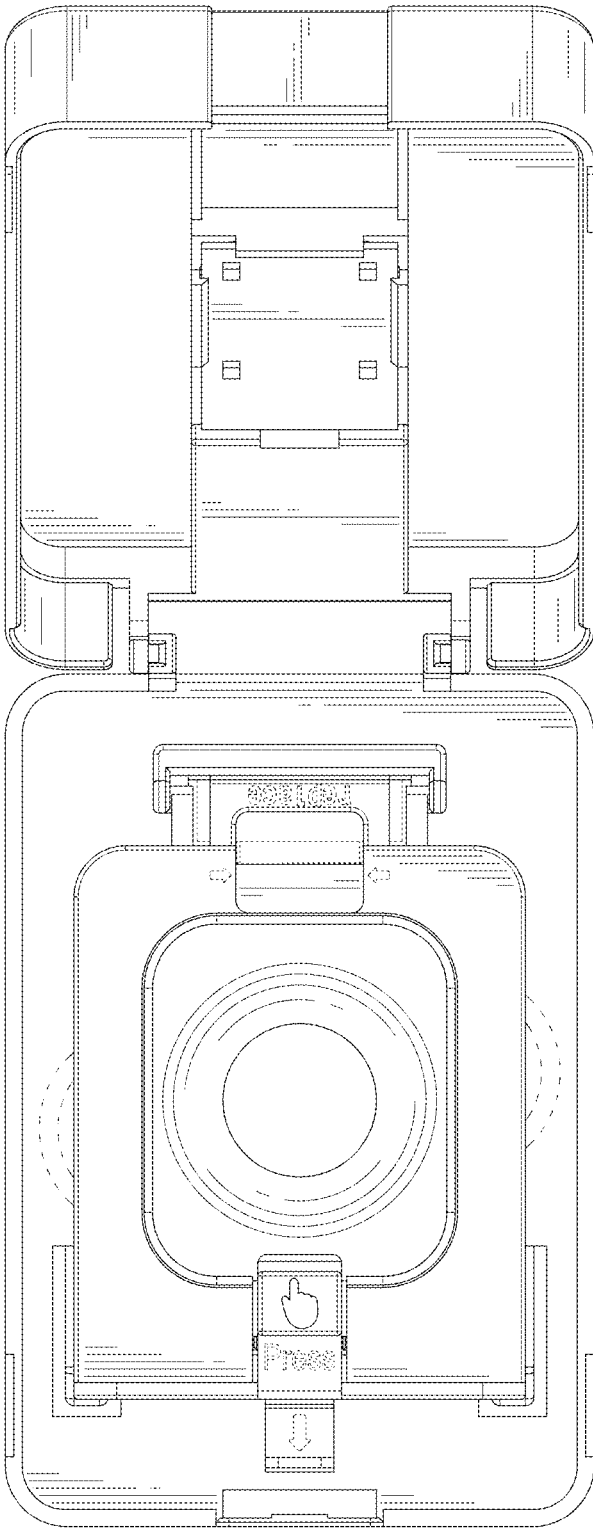


FIG. 3

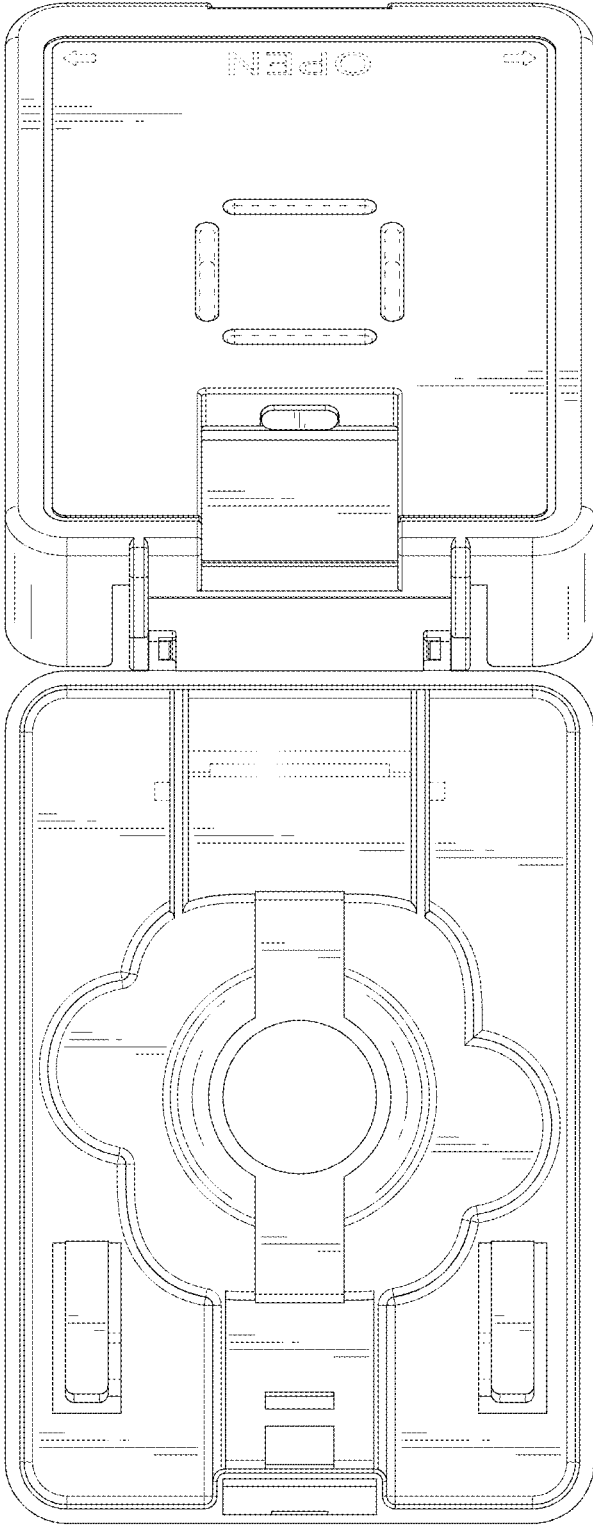


FIG. 4

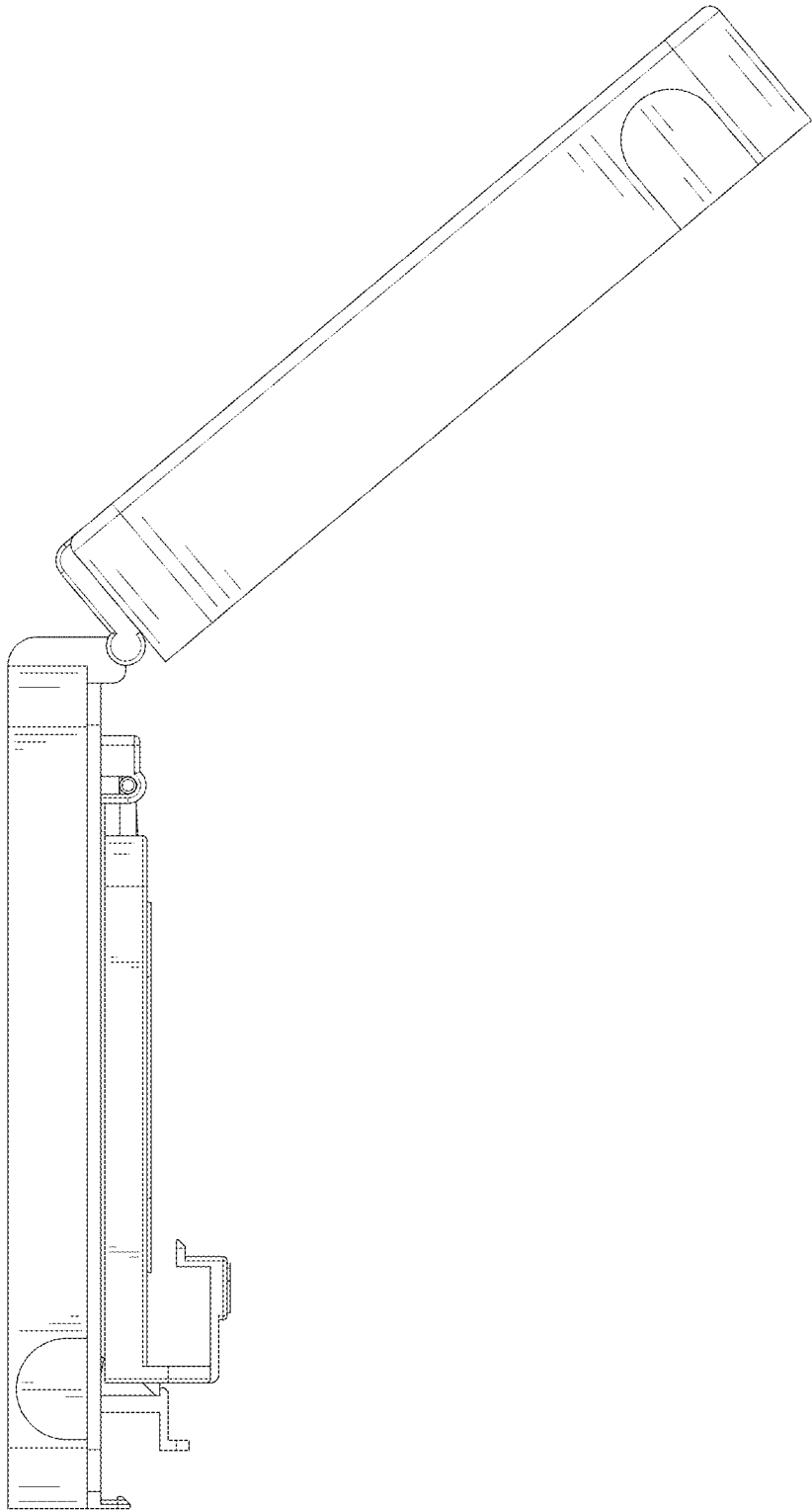


FIG. 5

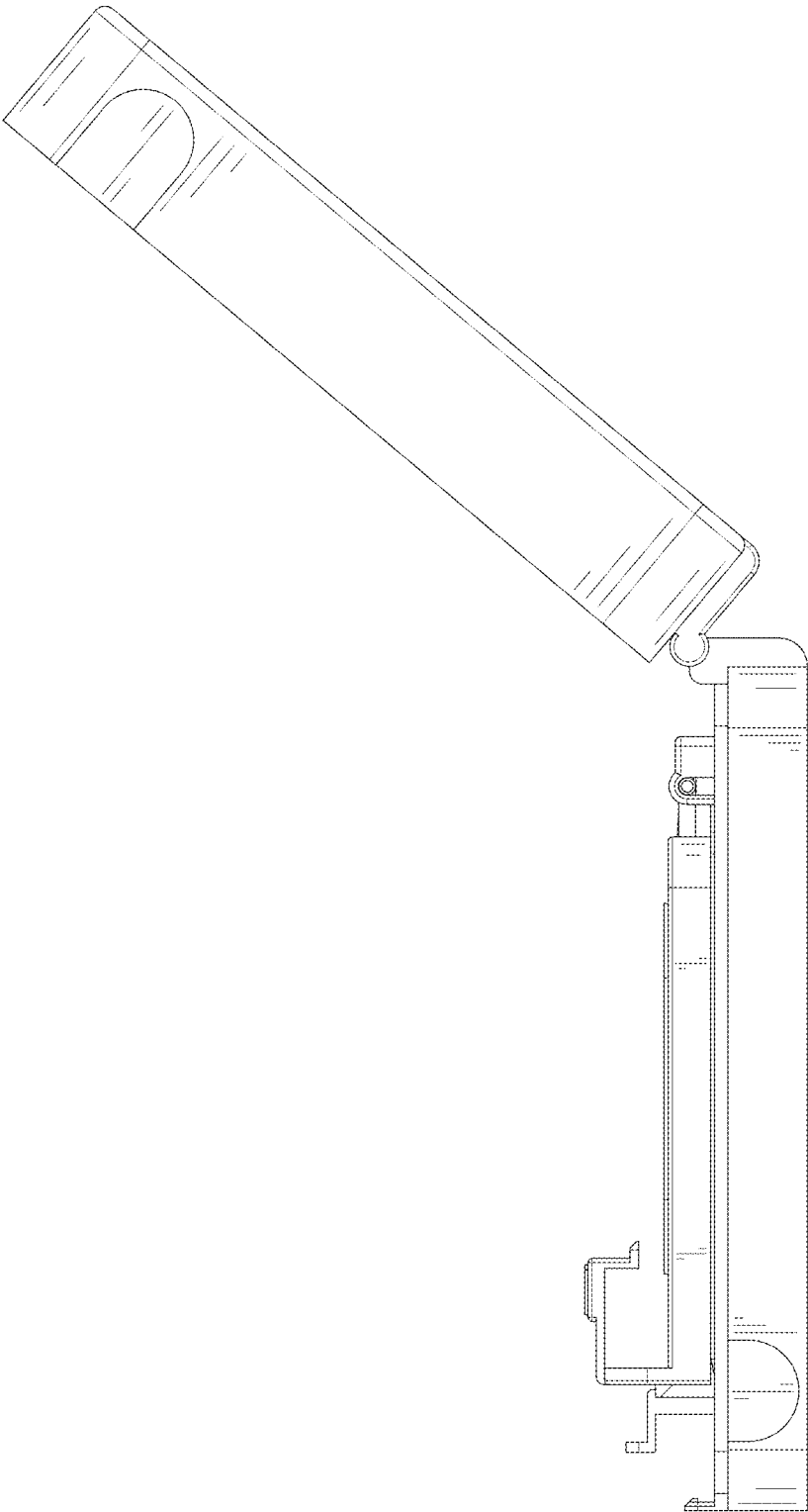


FIG. 6

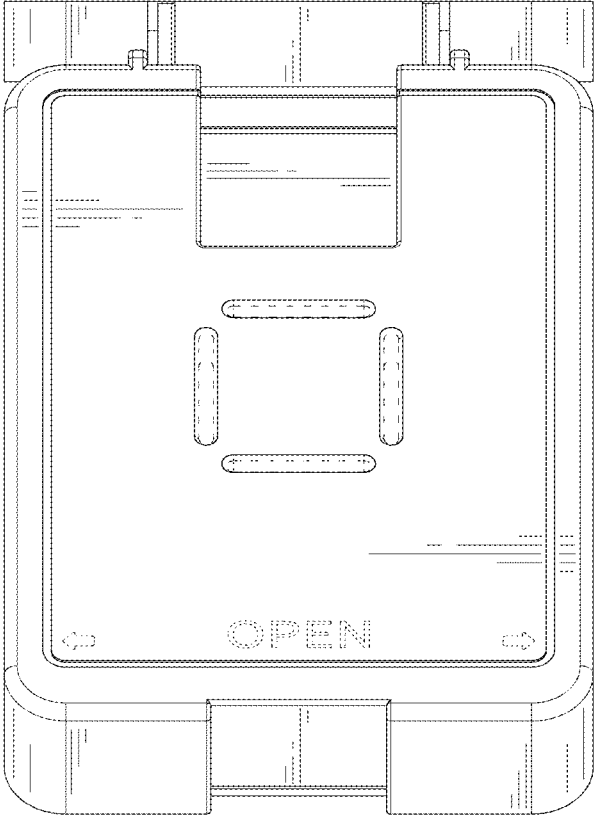


FIG. 7

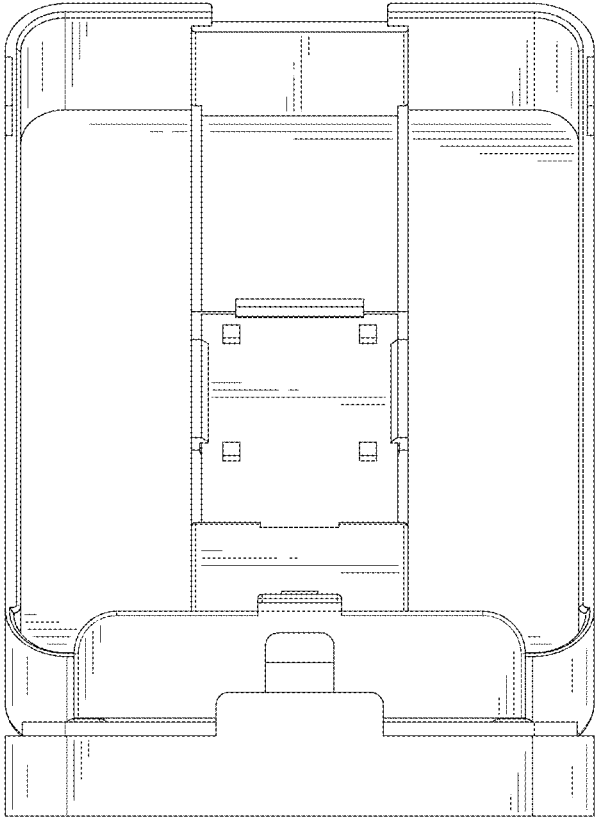


FIG. 8

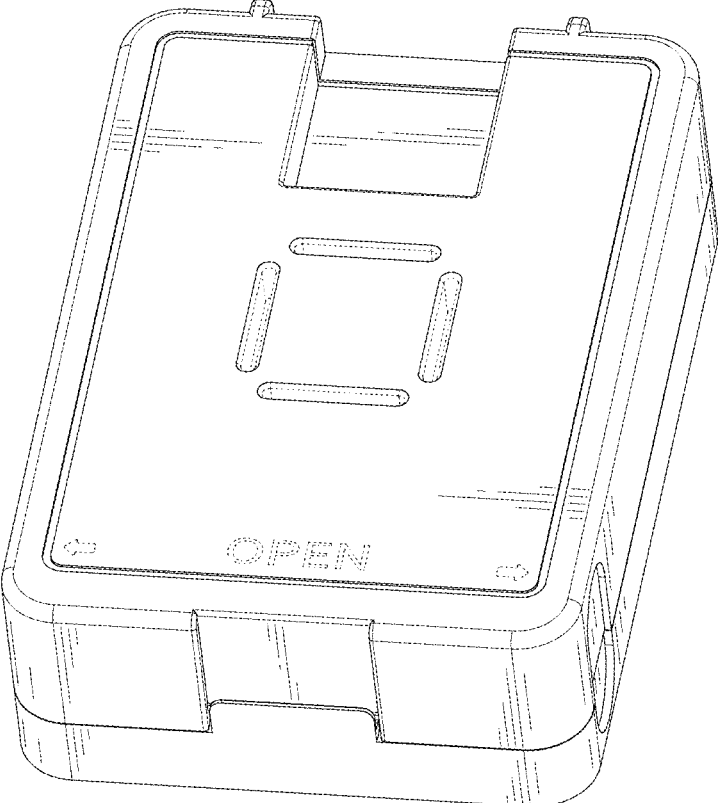


FIG.9

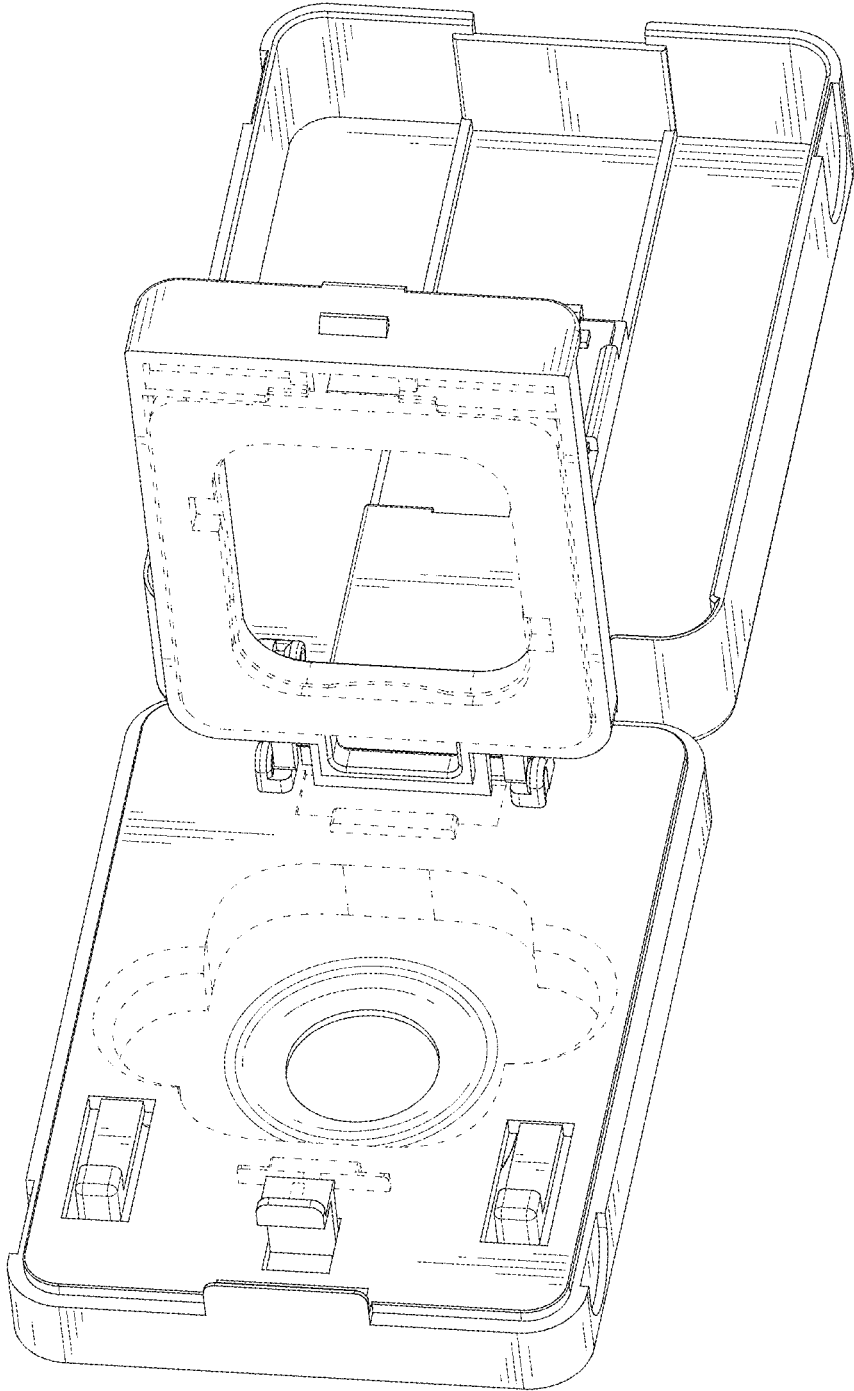


FIG.10