



US00D977486S

(12) **United States Design Patent**
Wang et al.

(10) **Patent No.:** **US D977,486 S**
(45) **Date of Patent:** **** Feb. 7, 2023**

- (54) **TABLET KEYBOARD CASE**
- (71) Applicant: **Qiao Dong**, Shenzhen (CN)
- (72) Inventors: **Shanmian Wang**, Shenzhen (CN);
Qiao Dong, Shenzhen (CN)
- (73) Assignee: **Qiao Dong**, Shenzhen (CN)
- (**) Term: **15 Years**
- (21) Appl. No.: **29/840,872**
- (22) Filed: **Jun. 1, 2022**

- D914,668 S * 3/2021 Lee D14/315
- D916,696 S * 4/2021 Yang D14/315
- D918,214 S * 5/2021 Chen D14/440
- D928,165 S * 8/2021 Li D14/440
- 11,106,285 B1 * 8/2021 Piper G06F 3/0221
- 11,294,426 B1 * 4/2022 Piper G06F 1/1669
- D966,257 S * 10/2022 Lee D14/327

(Continued)

FOREIGN PATENT DOCUMENTS

WO D087537-005 * 12/2017

OTHER PUBLICATIONS

Original Xiaomi Mi Pad 5, AliXpress website reviews 2022, site visited Dec. 16, 2022, https://www.aliexpress.us/item/3256803129158282.html?gatewayAdapt=glo2usa&_randl_shipto=US.*

(Continued)

Primary Examiner — John R Yeh
(74) *Attorney, Agent, or Firm* — Georgi Korobanov

(57) **CLAIM**

The ornamental design for a tablet keyboard case, as shown and described.

DESCRIPTION

FIG. 1 is a perspective view of a tablet keyboard case, showing our new design;
FIG. 2 is another perspective view thereof;
FIG. 3 is a perspective view of the design in a closed status;
FIG. 4 is another perspective view thereof;
FIG. 5 is front view of the design shown in FIG. 1;
FIG. 6 is a rear view thereof;
FIG. 7 is a left side view thereof;
FIG. 8 is a right side view thereof;
FIG. 9 is a top plan view thereof; and,
FIG. 10 is a bottom plan view thereof.

1 Claim, 10 Drawing Sheets

(30) **Foreign Application Priority Data**

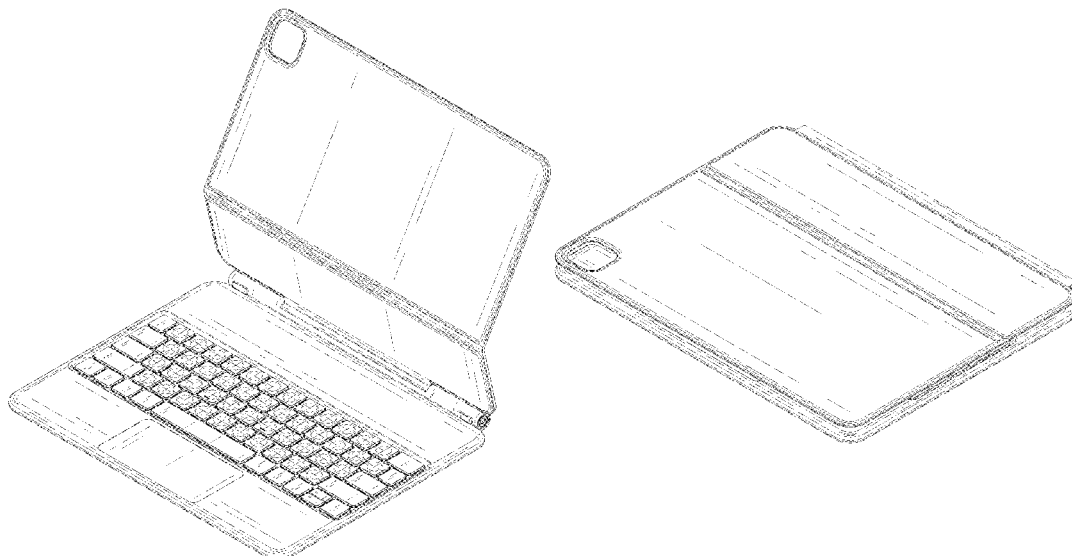
Feb. 14, 2022 (CN) 202230071526.4

- (51) **LOC (14) CL.** **14-02**
- (52) **U.S. CL.**
USPC **D14/440**
- (58) **Field of Classification Search**
USPC D14/250, 440, 432, 447
CPC ... H04B 1/3888; B32B 38/1841; B32B 37/26;
G06F 1/166; G06F 1/1667
See application file for complete search history.

(56) **References Cited**

U.S. PATENT DOCUMENTS

- D504,129 S * 4/2005 Loew D14/318
- D672,352 S * 12/2012 Gengler D14/440
- D679,277 S * 4/2013 Probst D14/440
- D722,602 S * 2/2015 Schoenith D14/440
- D740,802 S * 10/2015 Hsu D14/316
- D763,249 S * 8/2016 Lee D14/315
- D826,924 S * 8/2018 Lee D14/315
- D832,854 S * 11/2018 Jinkinson D14/440
- D838,714 S * 1/2019 Lin D14/318
- D861,000 S * 9/2019 Zhao D14/440
- D880,485 S * 4/2020 Zhu D14/440
- D892,128 S 8/2020 Chen
- D912,063 S 3/2021 Yan



(56)

References Cited

U.S. PATENT DOCUMENTS

2006/0243878	A1*	11/2006	Saad	G06F 1/203 248/346.01
2007/0236908	A1*	10/2007	Yukawa	G06F 1/1686 362/23.15
2008/0142662	A1*	6/2008	Leung	G06F 1/1632 248/346.01
2011/0110670	A1*	5/2011	Atkinson	G06F 1/1681 361/679.21
2011/0235275	A1*	9/2011	Su	G06F 1/1667 361/679.01
2012/0293938	A1*	11/2012	Dai	G06F 1/1681 361/679.44
2013/0214661	A1*	8/2013	McBroom	G06F 1/166 312/325
2013/0308263	A1*	11/2013	Dondurur	G06F 1/1667 361/679.12
2014/0211393	A1*	7/2014	Lee	G06F 1/1632 361/679.12
2015/0301566	A1*	10/2015	Santiago	F16M 13/00 248/157
2017/0168526	A1*	6/2017	Fujikawa	G06F 1/1616
2018/0081402	A1*	3/2018	Smith	G06F 3/0202
2018/0107253	A1*	4/2018	Landwehr	G06F 1/1681

OTHER PUBLICATIONS

Best Keyboard Cases for Tablets, Rolling Stone article date Feb. 2022, site visited Dec. 16, 2022, <https://www.rollingstone.com/product-recommendations/electronics/best-tablet-keyboard-case-1299278/>.*

* cited by examiner

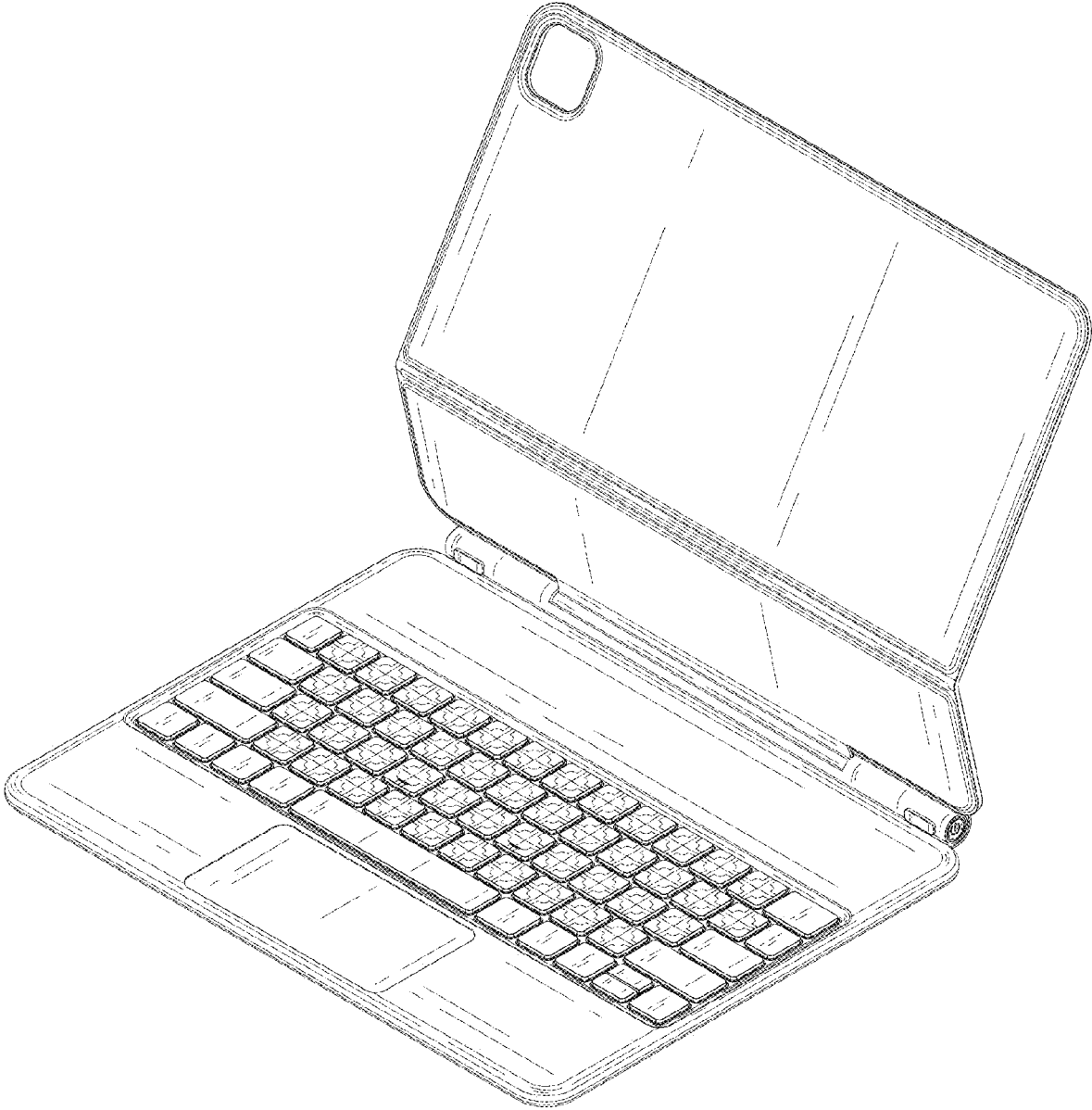


FIG. 1

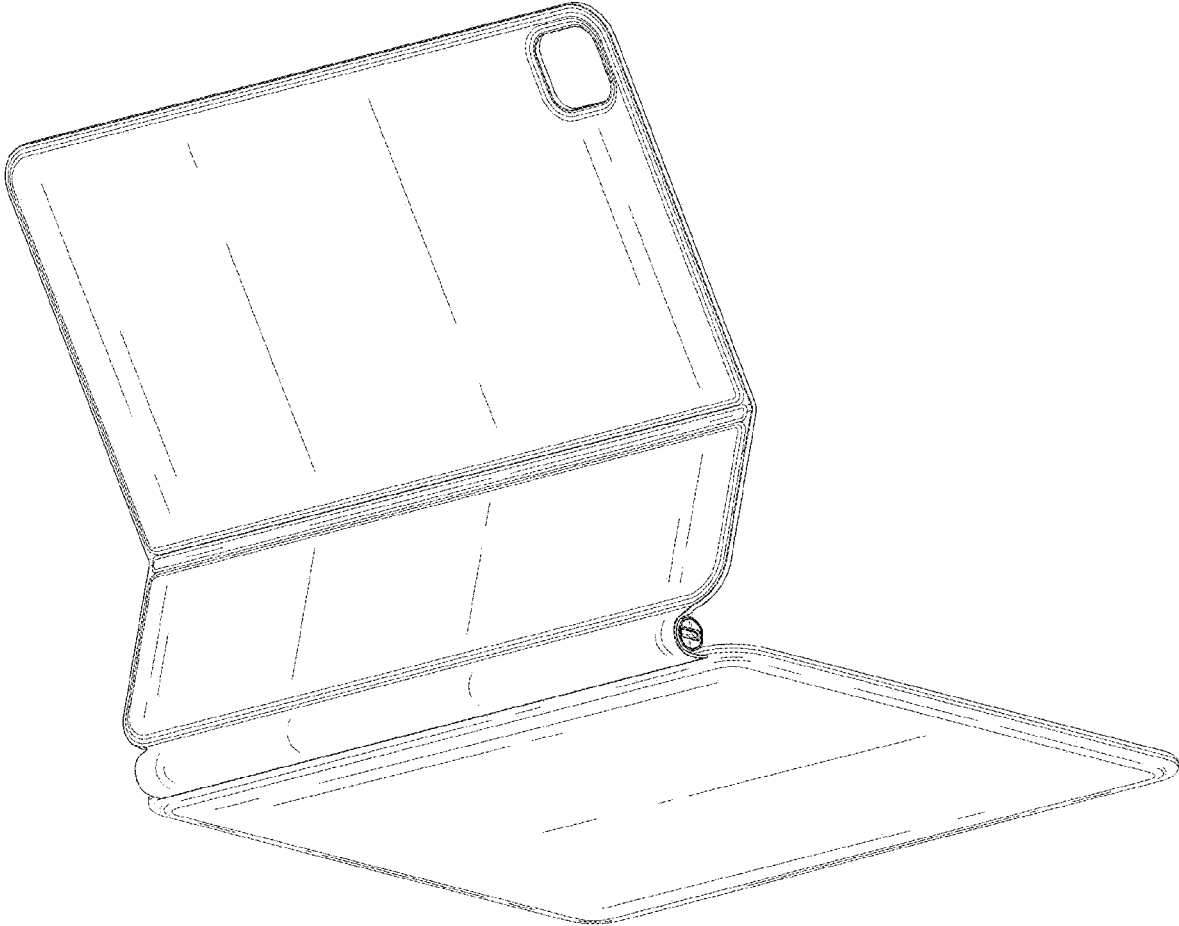


FIG. 2

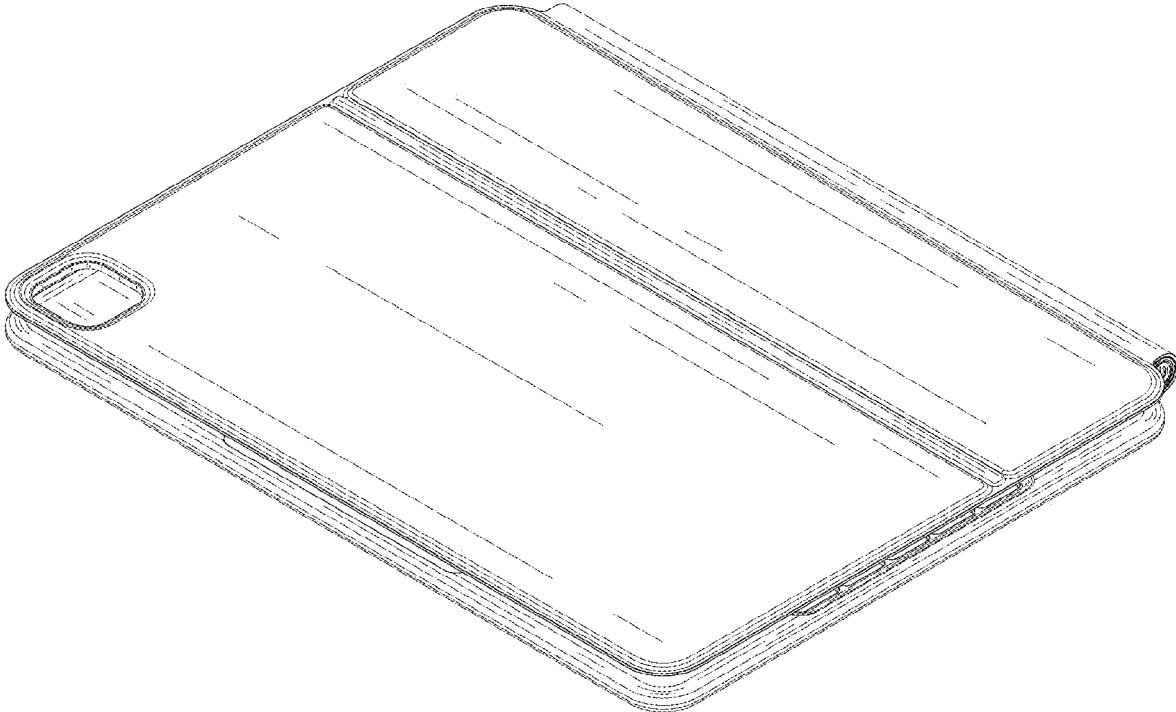


FIG. 3

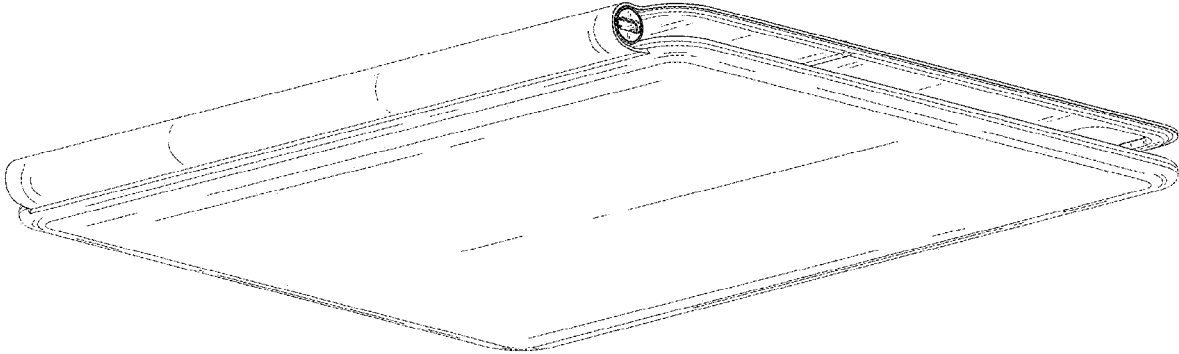


FIG. 4

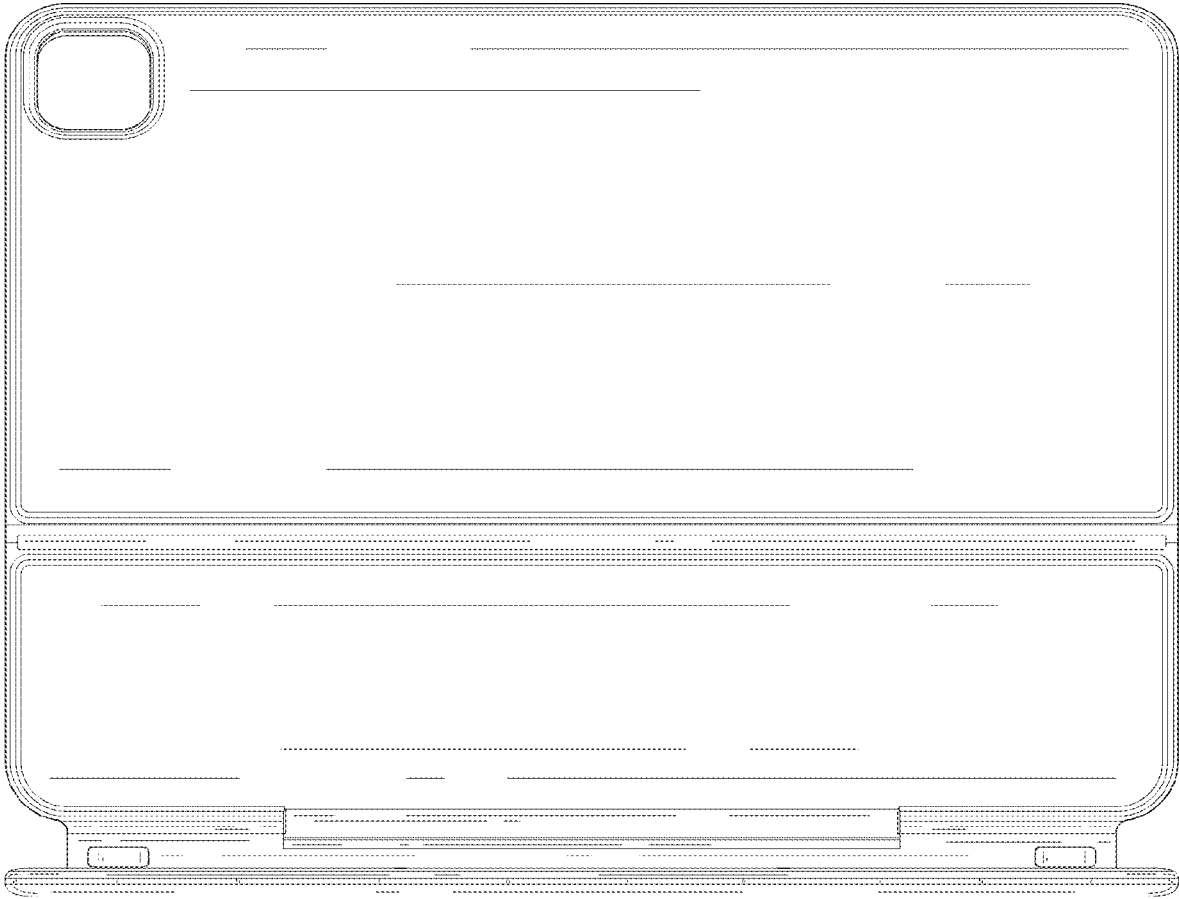


FIG. 5

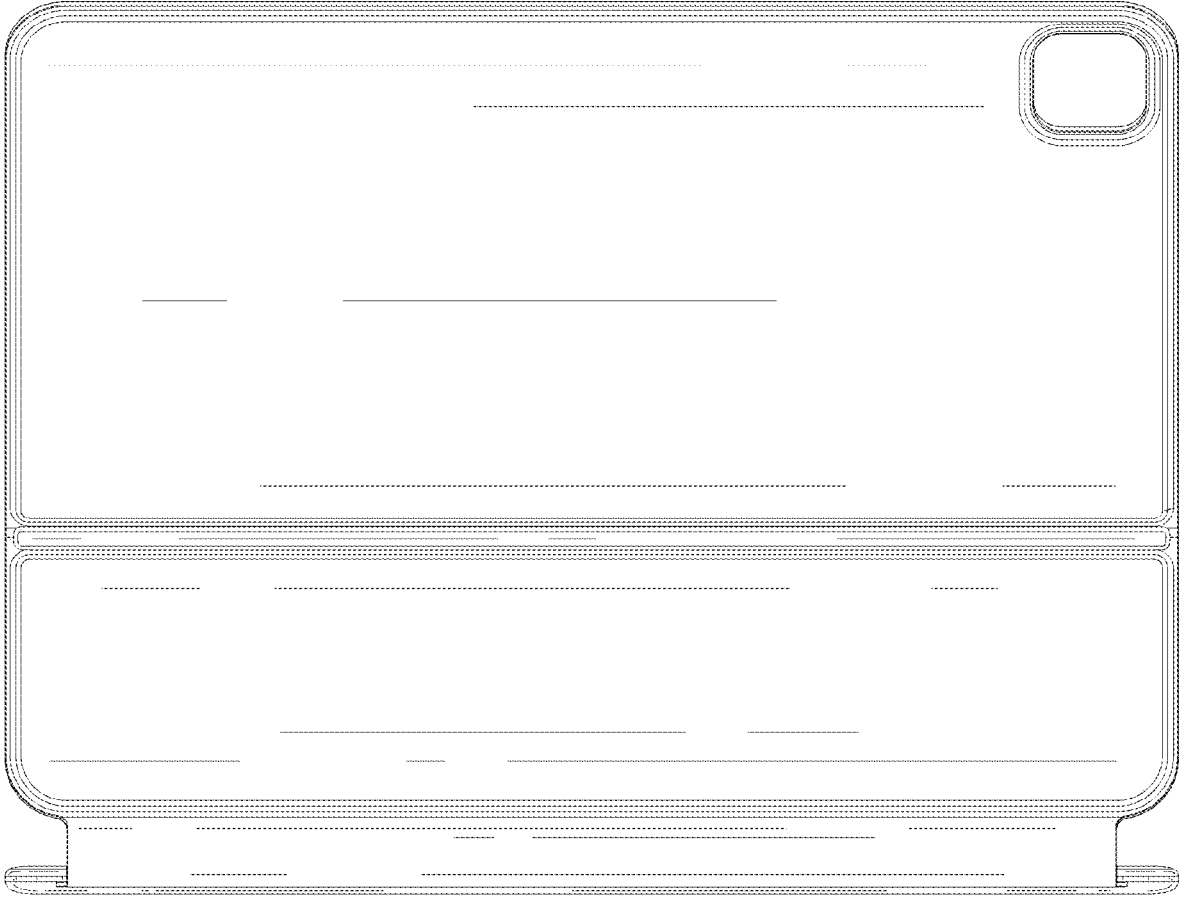


FIG. 6

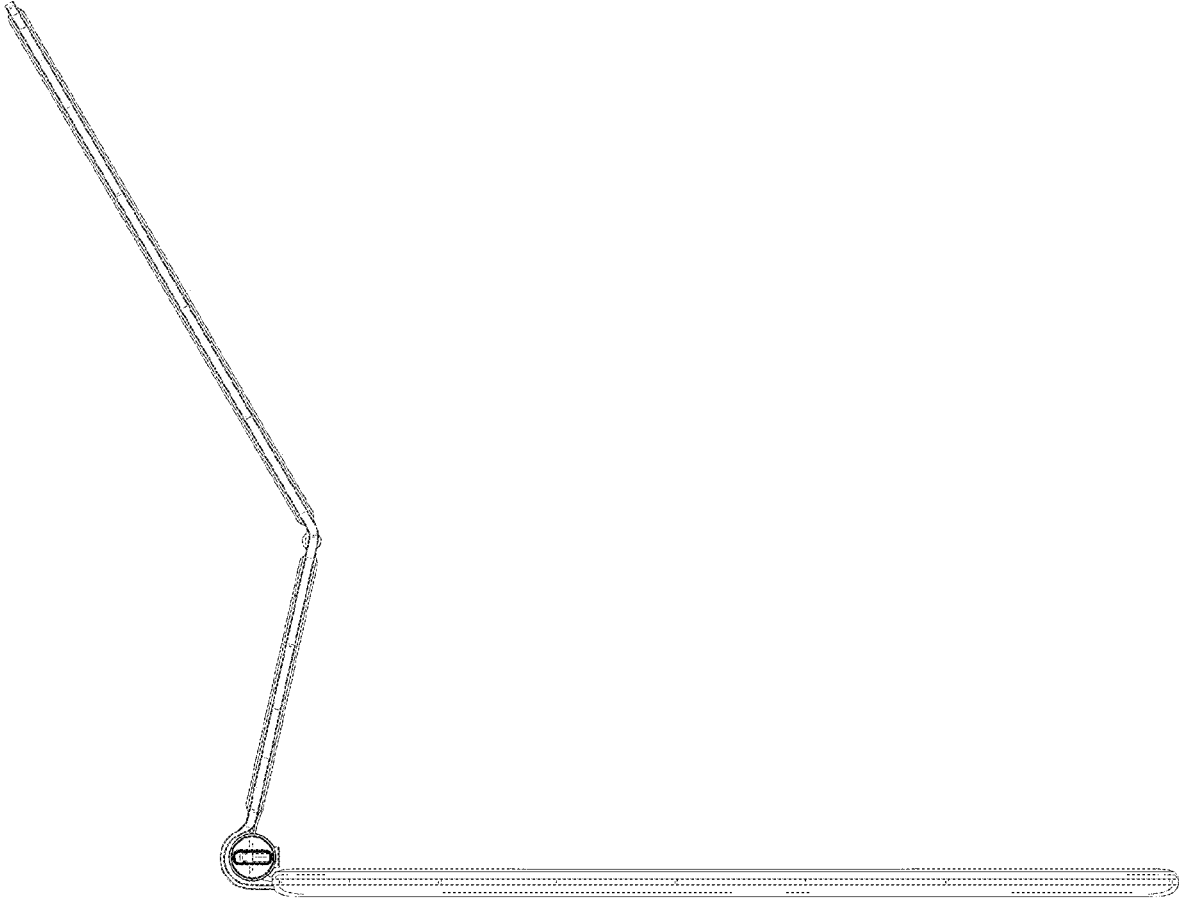


FIG. 7

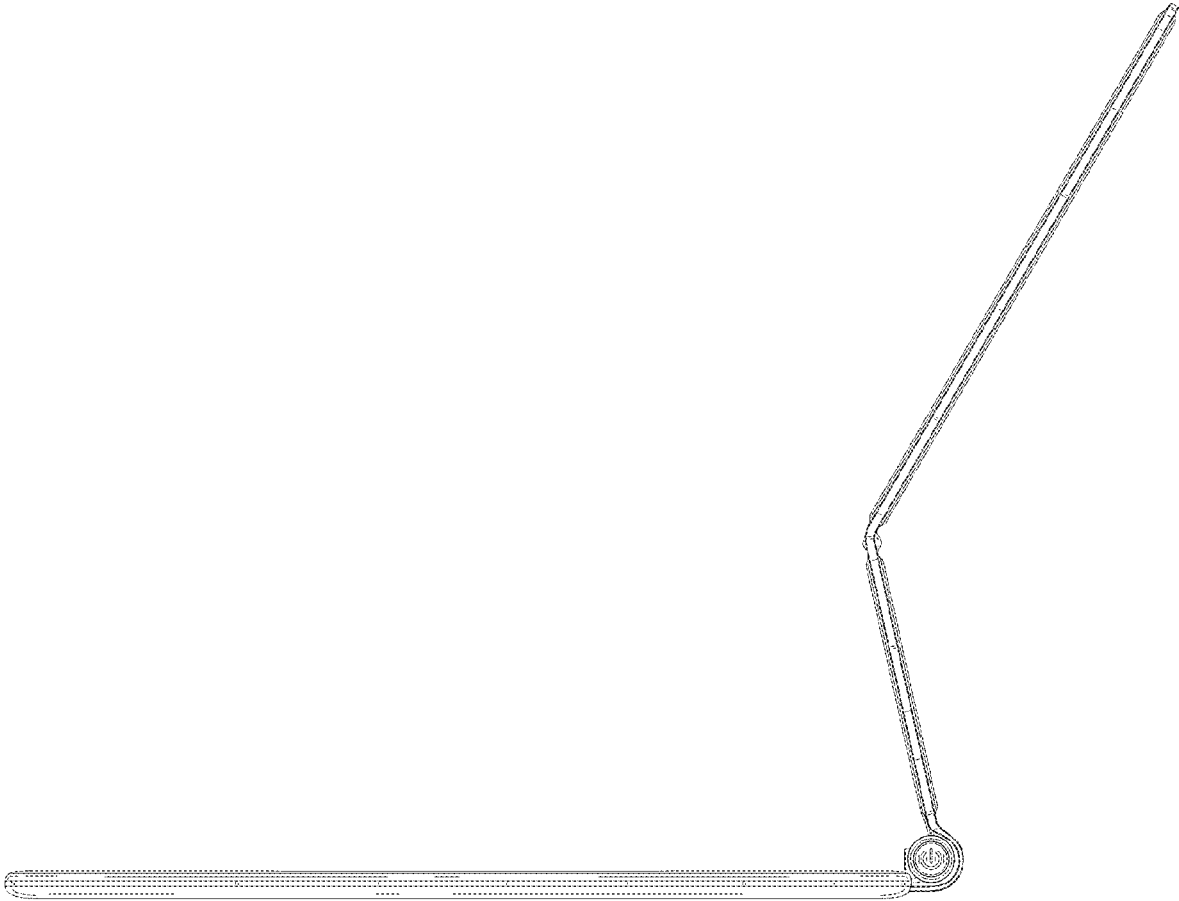


FIG. 8



FIG. 9

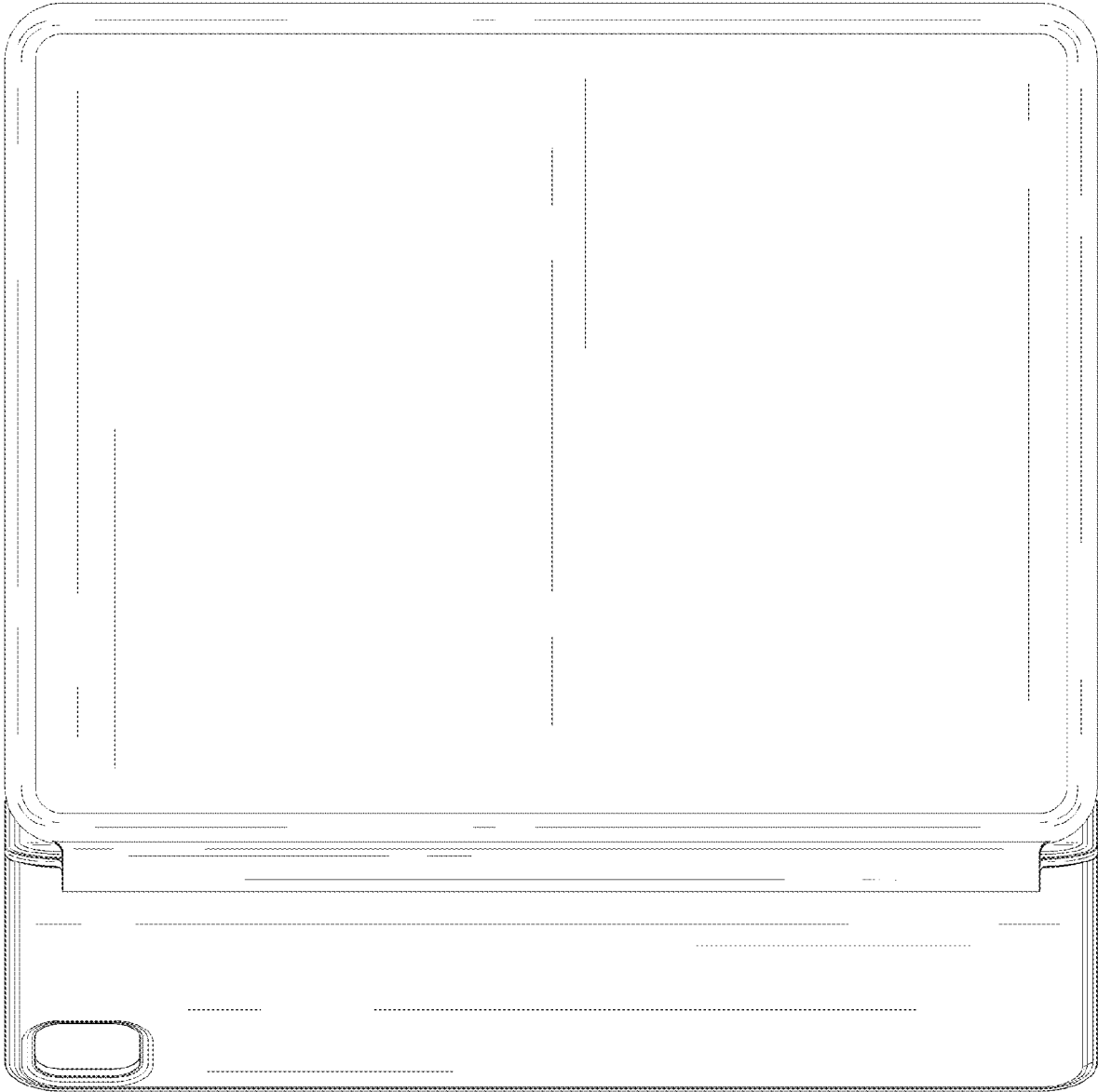


FIG. 10