



US00D933722S

(12) **United States Design Patent**
You et al.

(10) **Patent No.:** **US D933,722 S**
(45) **Date of Patent:** **** Oct. 19, 2021**

(54) **REFRIGERATOR**

(71) Applicant: **WINIADIMCHAE CO., LTD.,**
Gwangju (KR)

(72) Inventors: **Myung Dong You**, Incheon (KR); **Sang Hwi Choi**, Seoul (KR); **Sung Jin Lee**, Seoul (KR); **Eun Sol Lee**, Seoul (KR)

(73) Assignee: **WINIADIMCHAE CO., LTD.,**
Gwangju (KR)

(**) Term: **15 Years**

(21) Appl. No.: **29/720,785**

(22) Filed: **Jan. 15, 2020**

(30) **Foreign Application Priority Data**

Jul. 18, 2019 (KR) 30-2019-0034446

(51) **LOC (13) Cl.** **15-07**

(52) **U.S. Cl.**
USPC **D15/88**

(58) **Field of Classification Search**

USPC D15/79, 80, 81, 82, 83, 84, 85, 86, 87,
D15/88, 89, 90, 91; D6/657, 659;
D3/304, 307; D14/214, 242
CPC F25C 2400/10; F25D 2400/10; F25D
2400/12; F25D 2400/14; F25D 2400/18;
G05B 2219/2654; G09F 23/0058; Y10S
292/71

See application file for complete search history.

(56) **References Cited**

U.S. PATENT DOCUMENTS

D86,878 S * 5/1932 Dohner D15/88
D534,189 S * 12/2006 Ball D15/79

D597,794 S *	8/2009	Tolle	D15/83
D738,870 S *	9/2015	Ding	D14/240
D775,464 S *	1/2017	Aller	D3/304
D789,907 S *	6/2017	Summerson	D14/214
D804,460 S *	12/2017	Li	D14/242
D829,775 S *	10/2018	Kim	D15/81
D862,438 S *	10/2019	Lee	D14/242
D885,366 S *	5/2020	Gurkin	D14/214
D888,015 S *	6/2020	Gu	D14/214
D890,132 S *	7/2020	Choi	D14/214
D891,488 S *	7/2020	McKee	D15/79
D915,351 S *	4/2021	Liao	D14/214
D918,883 S *	5/2021	Liao	D14/242
D919,609 S *	5/2021	Chen	D14/242
2012/0167612 A1 *	7/2012	Lee	F25D 11/00 62/344

* cited by examiner

Primary Examiner — Mojtaba Tehrani

(74) *Attorney, Agent, or Firm* — Hodgson Russ LLP

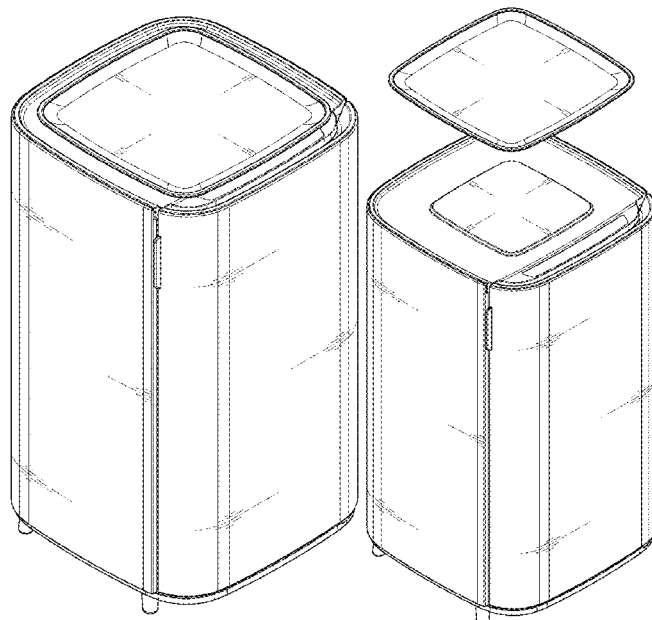
(57) **CLAIM**

The ornamental design for a refrigerator, as shown and described.

DESCRIPTION

FIG. 1 is perspective view of a Refrigerator, showing our new design;
FIG. 2 is a front elevation view thereof;
FIG. 3 is a rear elevation view thereof;
FIG. 4 is a left side elevation view thereof;
FIG. 5 is a right side elevation view thereof;
FIG. 6 is a top plan view thereof;
FIG. 7 is a bottom plan view thereof; and,
FIG. 8 is another perspective view, showing a tray of the refrigerator apart from the refrigerator.

1 Claim, 8 Drawing Sheets



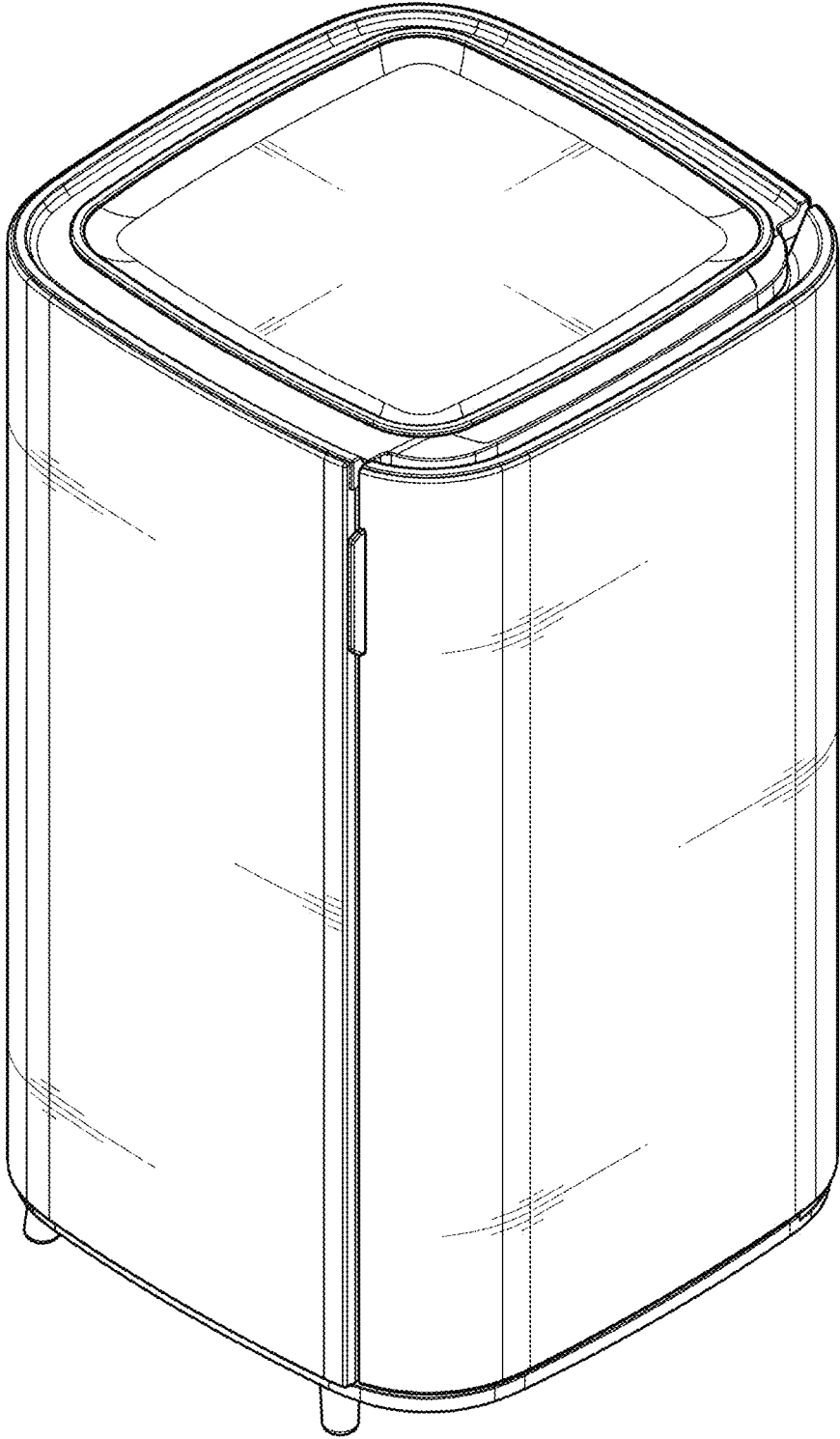


FIG. 1

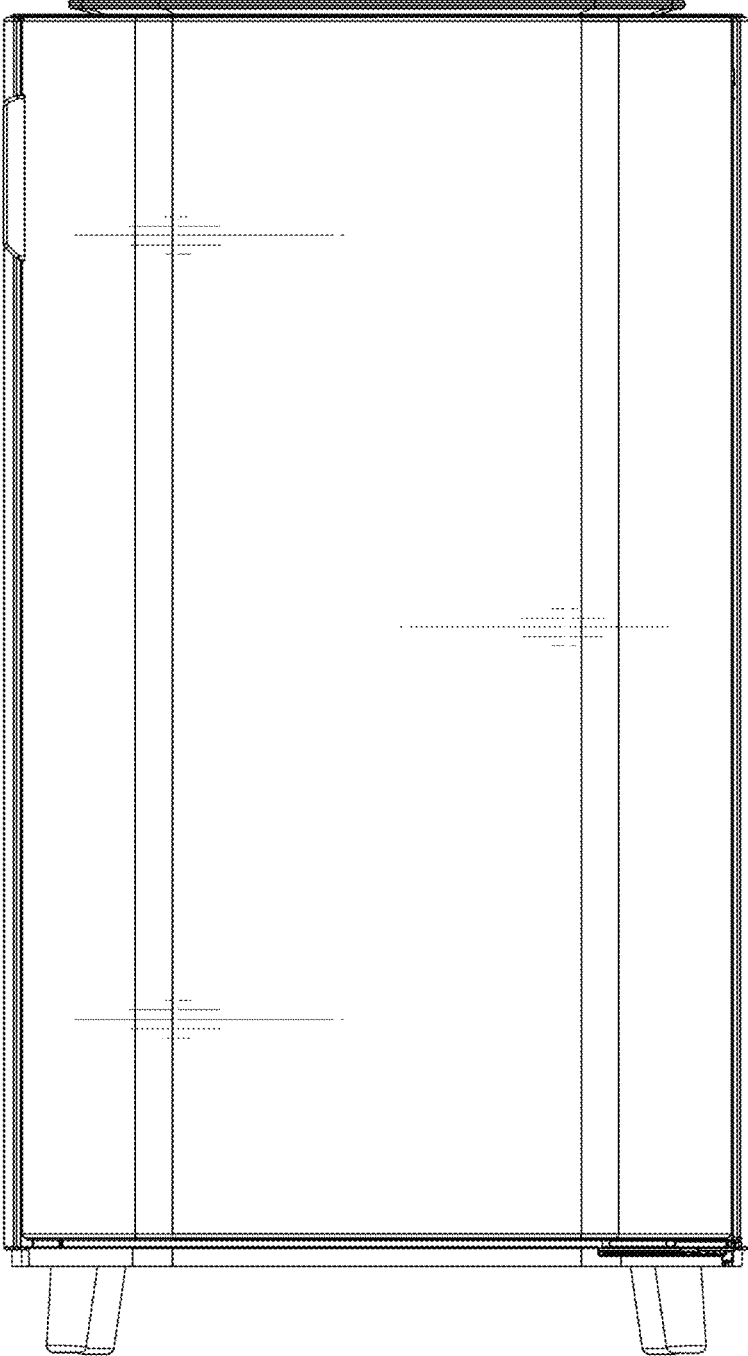


FIG. 2

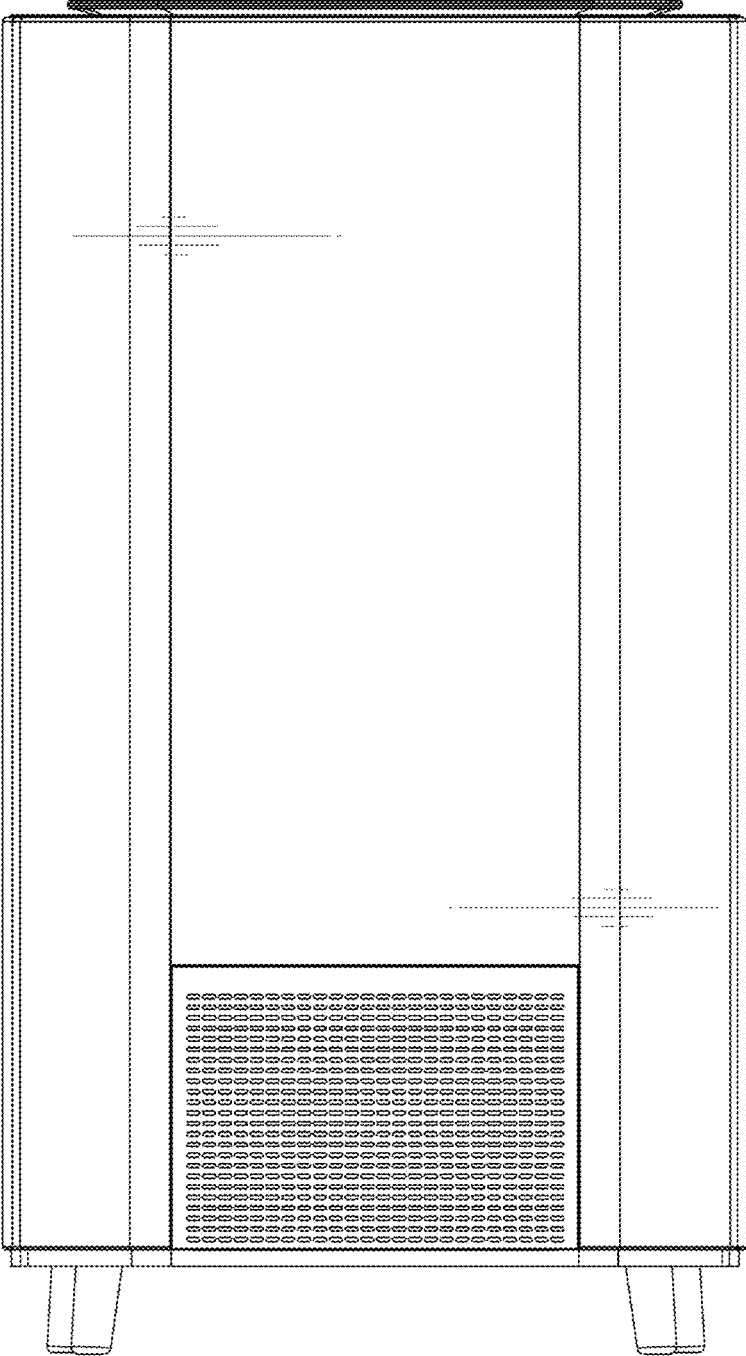


FIG. 3

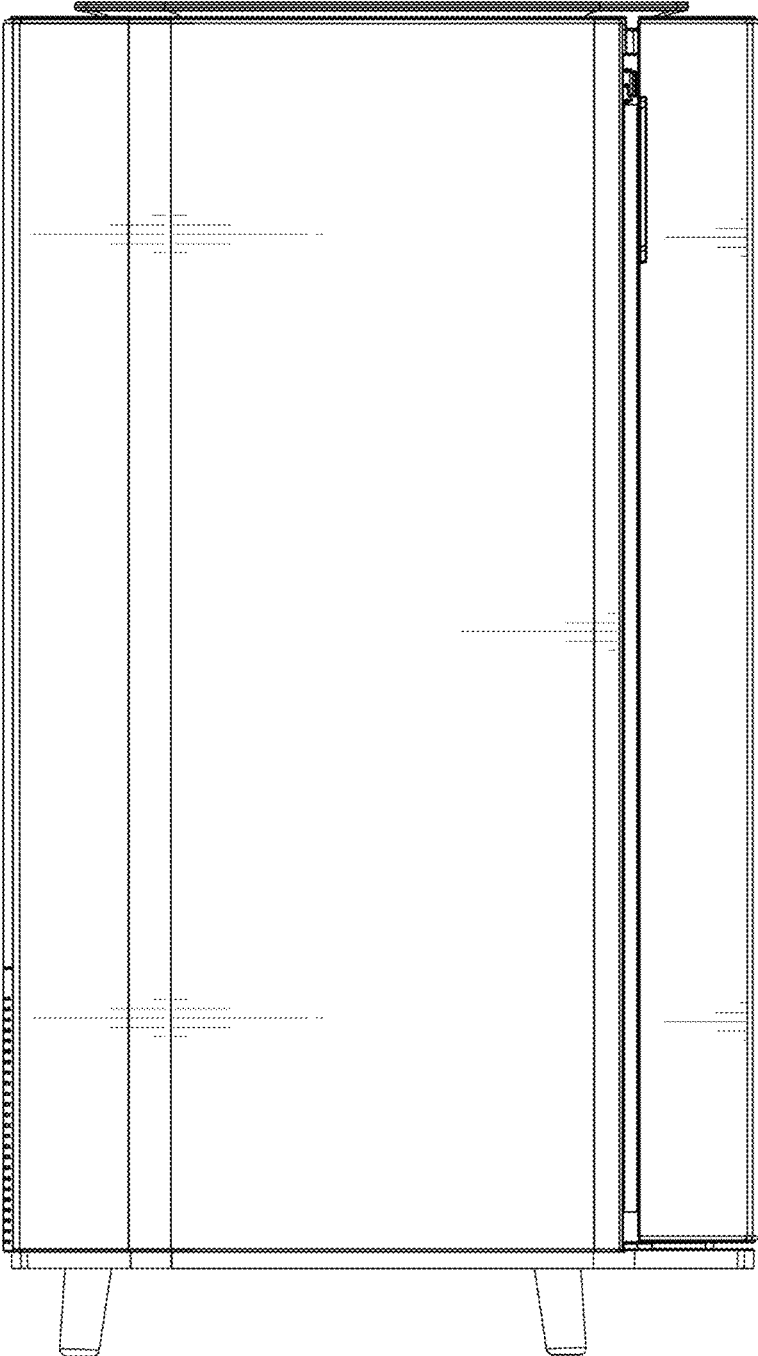


FIG. 4

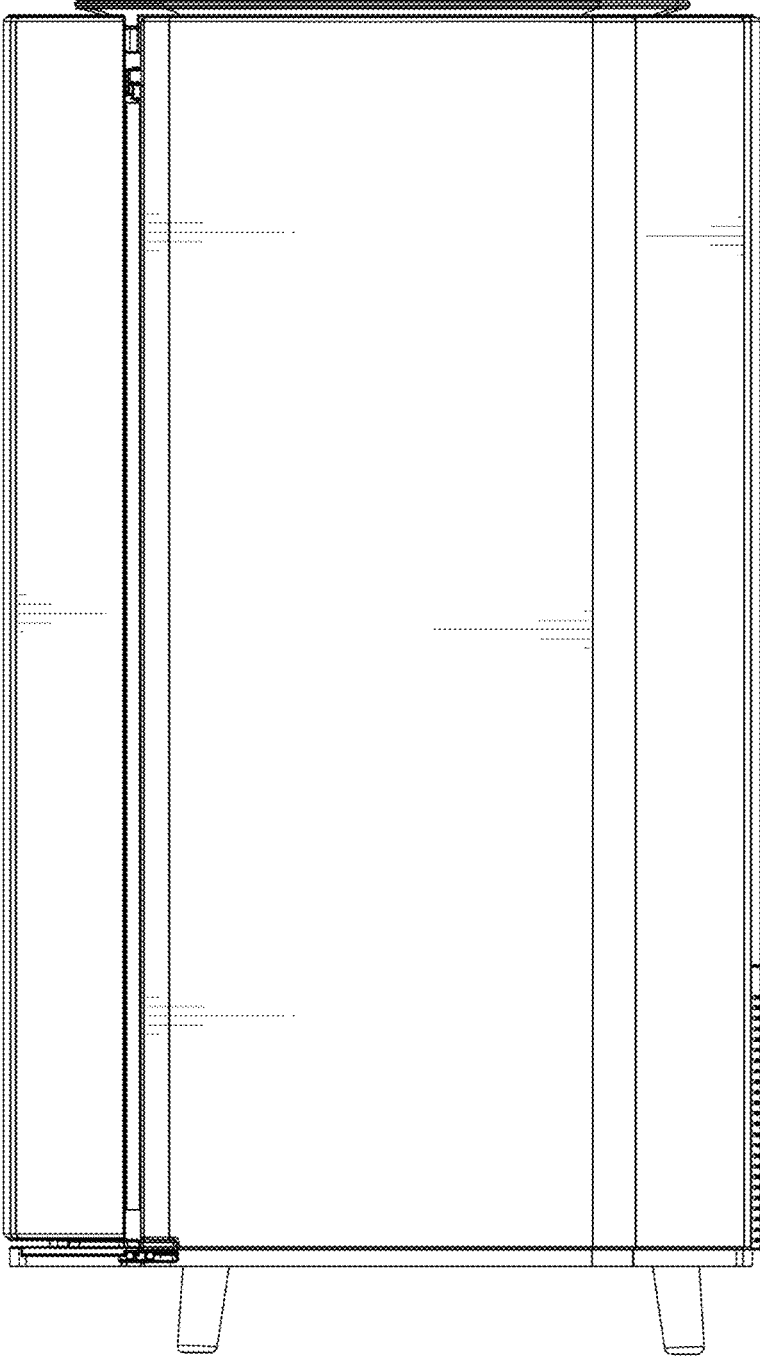


FIG. 5

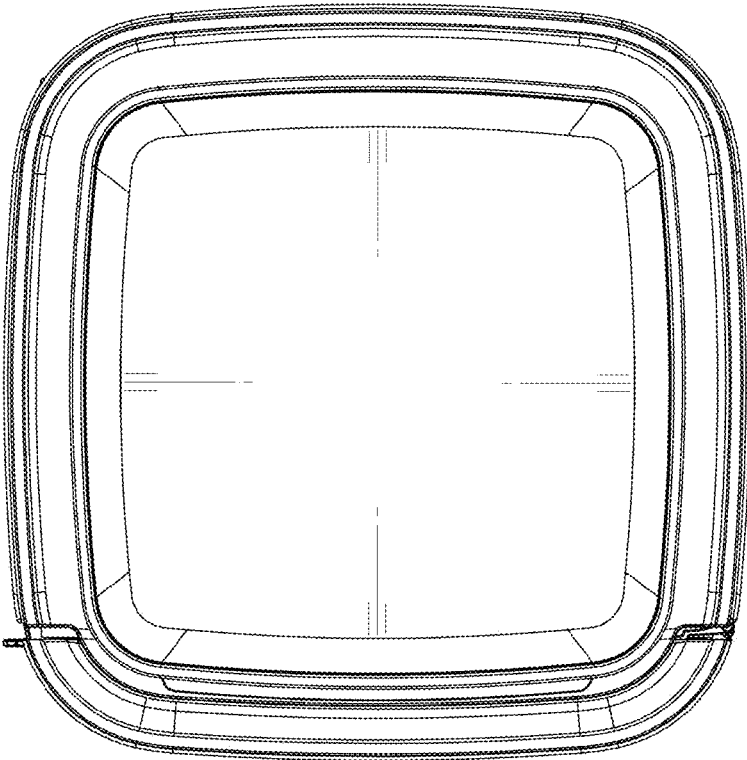


FIG. 6

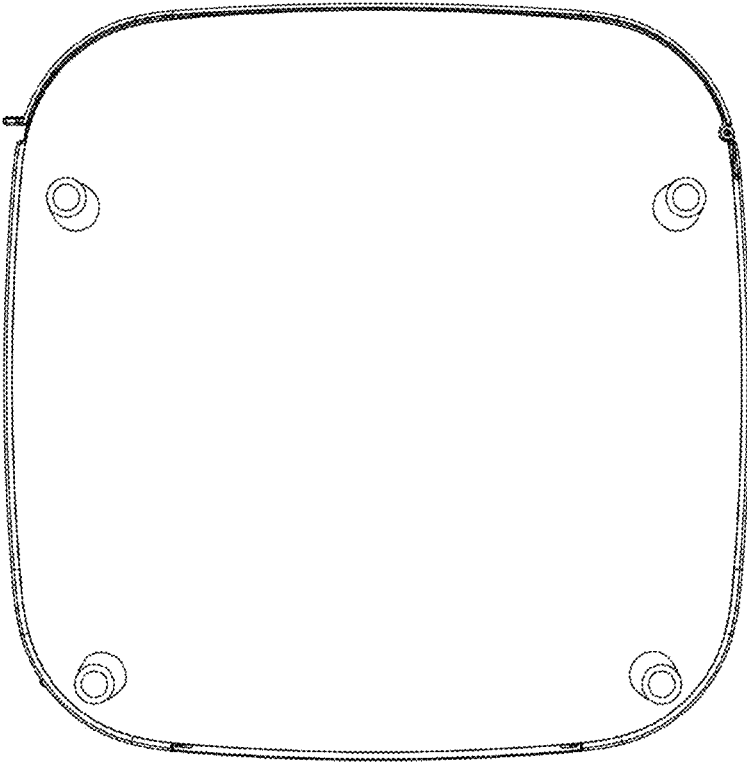


FIG. 7

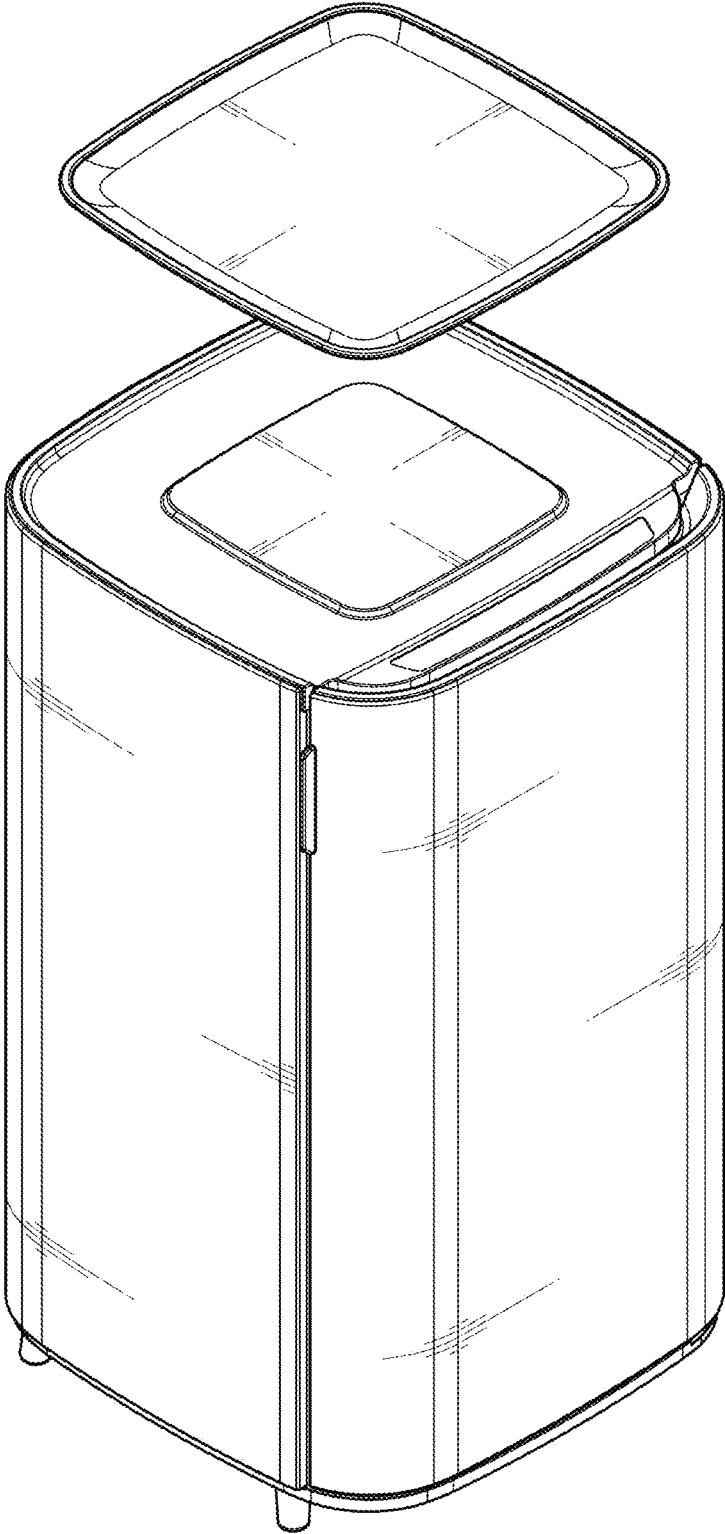


FIG. 8