

[54] **TREADMILL WITH SIDERAIL**
[75] **Inventors: William T. Dalebout; Ty Measom,**
both of Logan, Utah
[73] **Assignee: Weslo, Inc., Logan, Utah**
[**] **Term: 14 Years**
[21] **Appl. No.: 299,746**
[22] **Filed: Jan. 19, 1989**
[52] **U.S. CL. D21/192**
[58] **Field of Search D21/191-199;**
272/69, DIG. 6; 119/29

[56] **References Cited**

U.S. PATENT DOCUMENTS

D. 270,555	9/1983	Ogden .	
D. 280,002	8/1985	Smith .	
D. 283,239	4/1986	Smith et al.	D21/192
4,502,679	3/1985	DeLorenzo .	
4,591,147	5/1986	Smith et al. .	
4,635,928	1/1987	Odgen et al. .	
4,643,418	2/1987	Bart .	
4,759,540	7/1988	Yu et al.	272/69

4,792,134 12/1988 Chen .

FOREIGN PATENT DOCUMENTS

1395344 5/1988 U.S.S.R. 272/69

OTHER PUBLICATIONS

The Fitness Store Catalog, 12-1988, p. 5, Treadmill #PR920.
Precor USA Flier, 3-1987, #910EI Treadmill.

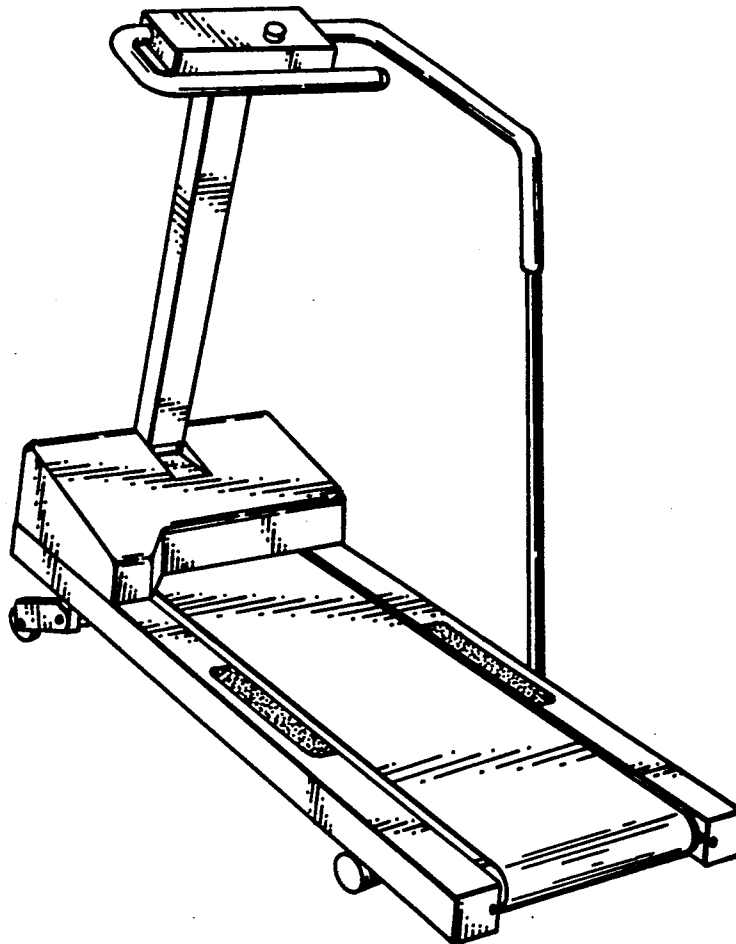
Primary Examiner—Charles A. Rademaker
Attorney, Agent, or Firm—Trask, Britt & Rossa

[57] **CLAIM**

The ornamental design for a treadmill with siderail, as shown and described.

DESCRIPTION

FIG. 1 is a perspective view of a treadmill with siderail showing our new design thereof;
FIG. 2 is a left side elevational view thereof;
FIG. 3 is a right side elevational view thereof;
FIG. 4 is a top plan view thereof;
FIG. 5 is a rear elevational view thereof; and
FIG. 6 is a front elevational view thereof.



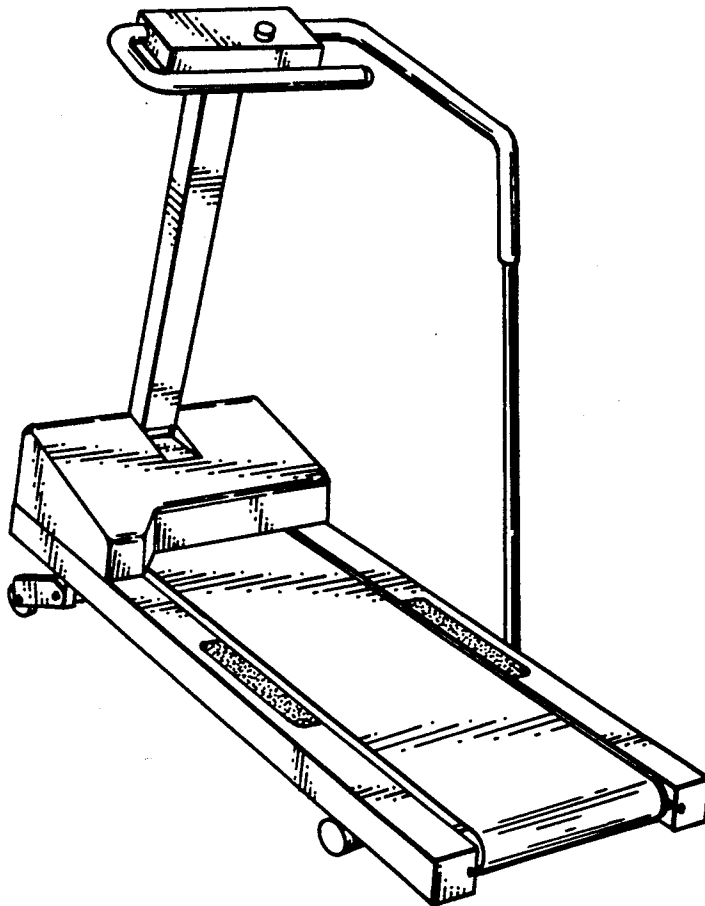


Fig. 1

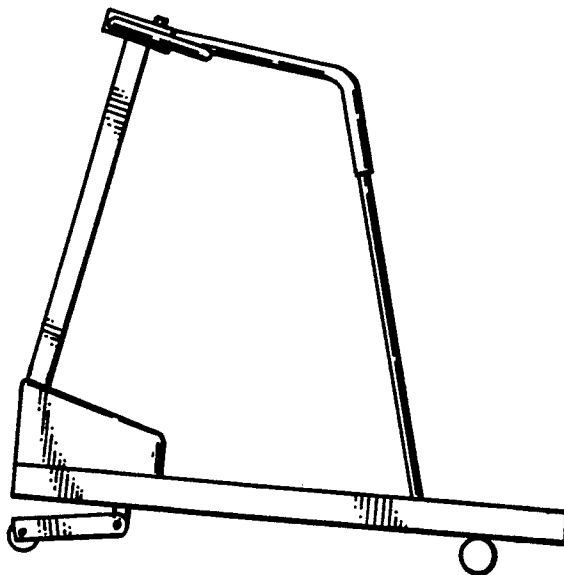


Fig. 2

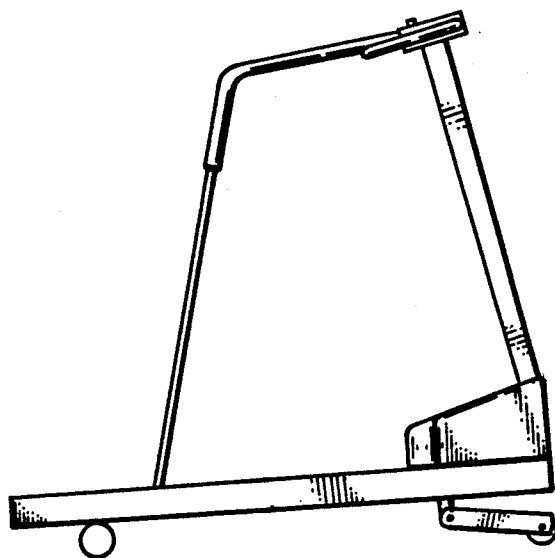


Fig. 3

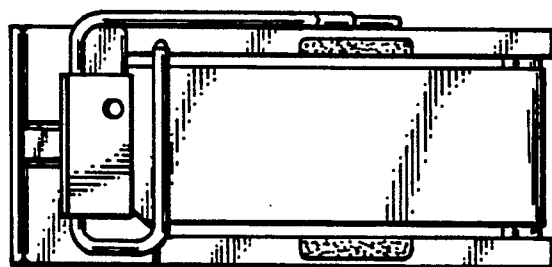


Fig. 4

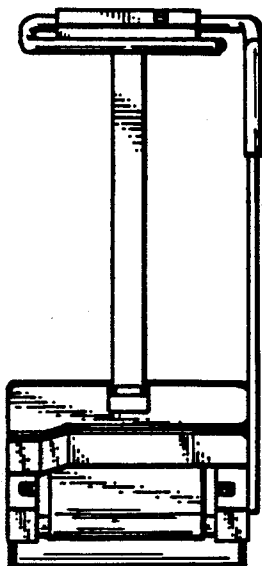


Fig. 5

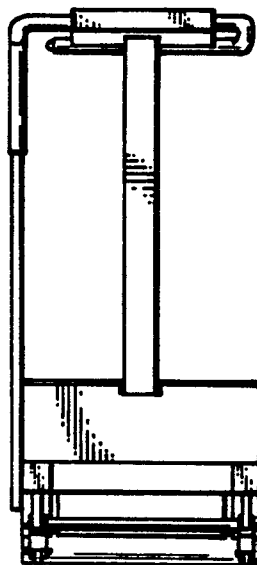


Fig. 6