

(12) **United States Design Patent** (10) **Patent No.:** **US D907,512 S**
Szymanski et al. (45) **Date of Patent:** **** Jan. 12, 2021**

(54) **BLADE DISPENSER**
 (71) Applicant: **Church & Dwight Co., Inc.**, Ewing, NJ (US)
 (72) Inventors: **Aaron Szymanski**, Thomaston, CT (US); **Eric Langberg**, Milford, PA (US)
 (73) Assignee: **Church & Dwight Co., Inc.**, Ewing, NJ (US)
 (**) Term: **15 Years**

D256,998 S * 9/1980 Motta D9/736
 4,341,305 A 7/1982 Schultz
 4,742,909 A 5/1988 Apprille et al.
 D312,568 S * 12/1990 Gray D9/736
 5,046,624 A 9/1991 Murphy et al.
 5,097,963 A 3/1992 Chernosky et al.
 (Continued)

(21) Appl. No.: **29/651,931**
 (22) Filed: **Jun. 29, 2019**
 (51) **LOC (13) Cl.** **09-01**
 (52) **U.S. Cl.**
 USPC **D9/736; D9/749**
 (58) **Field of Classification Search**
 USPC D9/735, 736, 737, 748, 749; D6/512, D6/526; D3/201, 205; D7/555
 CPC B65D 73/0064; B65D 73/0014; B65D 77/26; B65D 85/1081; B65D 5/5016; B65D 71/70; B65D 25/106; B65D 25/22; B26B 21/40; B26B 21/36; B26B 19/3853; B26B 19/14; B26B 19/38; B26B 19/382; B26B 19/3813
 See application file for complete search history.

FOREIGN PATENT DOCUMENTS

EP 007448980-0001 12/2019
 EP 007451182-0001 12/2019

OTHER PUBLICATIONS

Finishing Touch Flawless Dermaplane Glo, available Aug. 9, 2019, [online], [site visited Feb. 17, 2020]. Available from internet, URL: https://www.amazon.com/Finishing-Flawless-Dermaplane-Lighted-Dermaplaning/dp/B07T89L4M5/red=cm_cr_arp-d_product_top?ie=UTF8 (Year: 2019).

Primary Examiner — Lauren R Calve
 (74) *Attorney, Agent, or Firm* — Womble Bond Dickinson (US) LLP

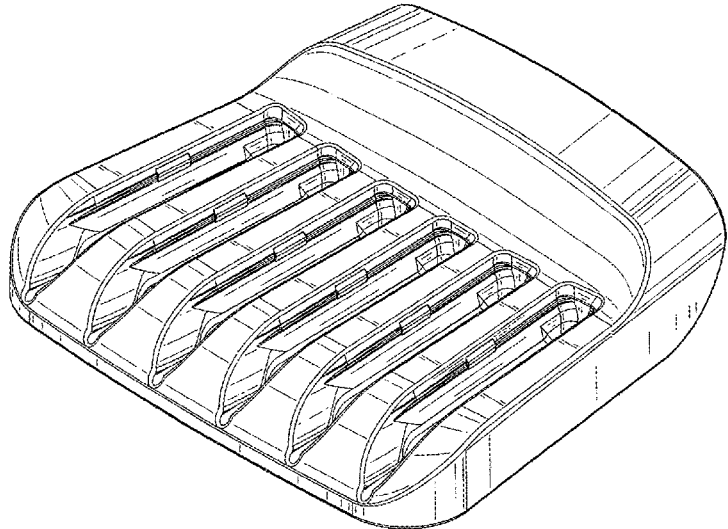
(57) **CLAIM**
 The ornamental design for a blade dispenser, as shown and described.

DESCRIPTION

FIG. 1 is a front perspective view of a blade dispenser of the present invention showing my new design;
 FIG. 2 is a front side elevation view thereof;
 FIG. 3 is a front perspective view of a blade dispenser of the present invention showing our new design;
 FIG. 4 is a side elevation view thereof;
 FIG. 5 is another side elevation view thereof;
 FIG. 6 is a top plan view thereof; and,
 FIG. 7 is a bottom plan view thereof.
 The broken lines illustrate portions of the blade dispenser and form no part of the claimed design.

(56) **References Cited**
 U.S. PATENT DOCUMENTS
 D203,235 S * 12/1965 Muscatiello D3/313
 3,606,006 A 9/1971 Raybois
 3,771,223 A * 11/1973 Dawidowicz A45D 27/225 30/40
 3,835,532 A 9/1974 Petrillo
 3,854,201 A 12/1974 Dawidowicz et al.
 3,879,844 A * 4/1975 Griffiths B26B 21/165 30/41.7
 4,173,285 A * 11/1979 Kiraly B65D 83/10 206/356

1 Claim, 7 Drawing Sheets



(56)

References Cited

U.S. PATENT DOCUMENTS

5,292,010 A 3/1994 Pickles et al.
 5,348,152 A 9/1994 Kiyoshi et al.
 D354,197 S * 1/1995 Fish D7/504
 D358,761 S * 5/1995 Ho D9/736
 5,518,114 A 5/1996 Kohring et al.
 5,636,442 A 6/1997 Wain
 6,041,926 A * 3/2000 Petricca A45D 27/225
 206/356
 D531,518 S * 11/2006 Ramm D9/749
 7,172,069 B2 2/2007 Coffin et al.
 7,413,078 B2 * 8/2008 Fischer A45D 27/225
 206/354
 D596,047 S * 7/2009 Wonderley D9/736
 D630,526 S * 1/2011 Wonderley D9/736
 D643,751 S * 8/2011 Wonderley D9/749
 D675,380 S 1/2013 Yoon
 8,511,468 B2 8/2013 Reeves et al.

8,584,848 B1 * 11/2013 Lee A45D 27/225
 206/353
 D709,544 S 7/2014 Isogawa
 D722,201 S 2/2015 Boulanger
 D728,880 S 5/2015 Mishan et al.
 D741,200 S * 10/2015 Lee D9/748
 D744,744 S 12/2015 Lee et al.
 D823,593 S 7/2018 Giannopoulos et al.
 D837,068 S * 1/2019 Levy D9/736
 D853,720 S * 7/2019 Novague D3/262
 10,506,860 B2 * 12/2019 Provost B26B 21/40
 D874,062 S 1/2020 McGarry et al.
 D884,485 S * 5/2020 Zucker D9/749
 D891,940 S * 8/2020 Szymanski D9/749
 2005/0040066 A1 2/2005 Pulsifer
 2006/0163098 A1 * 7/2006 Lin B25H 3/003
 206/378
 2013/0108523 A1 * 5/2013 Tawfik G01N 1/36
 422/552
 2017/0360523 A1 * 12/2017 Khajavi A61B 50/3001
 2019/0059614 A1 2/2019 Wu et al.

* cited by examiner

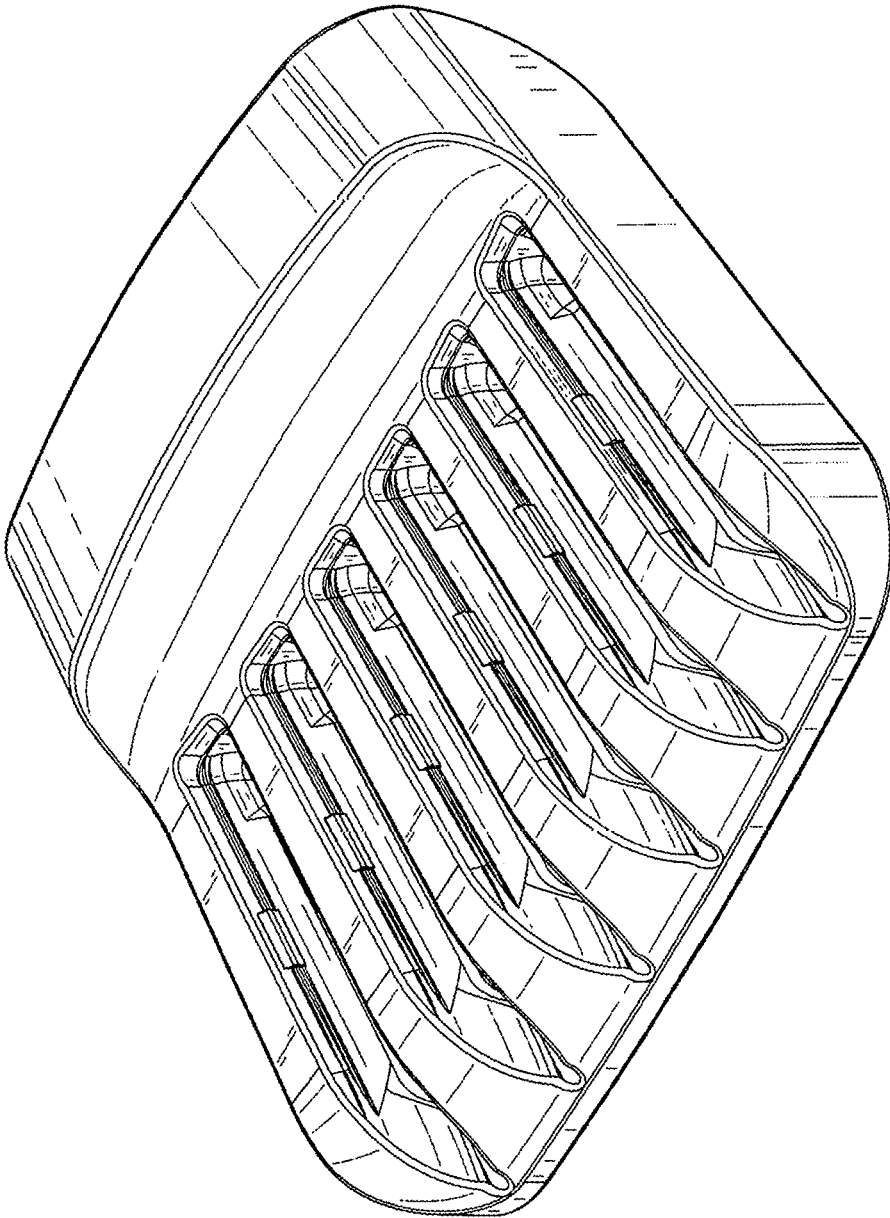


FIG. 1

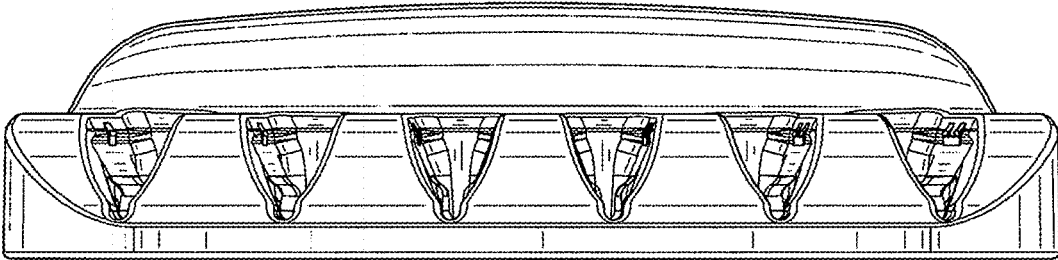


FIG. 2

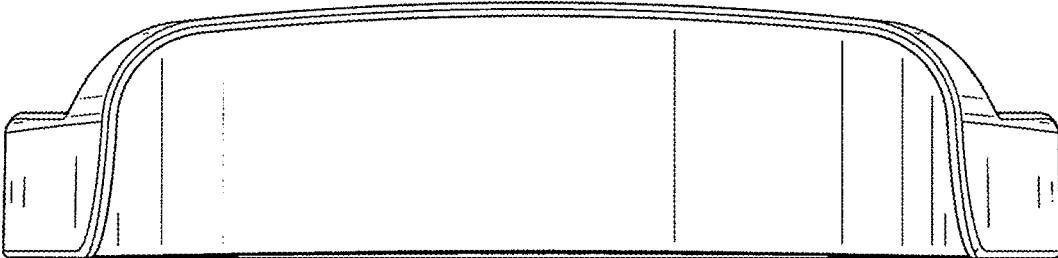


FIG. 3

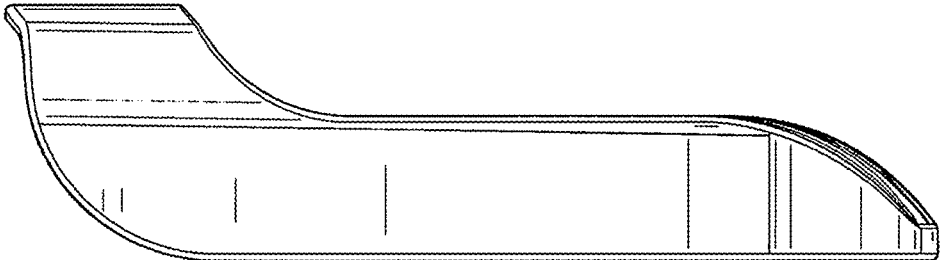


FIG. 4

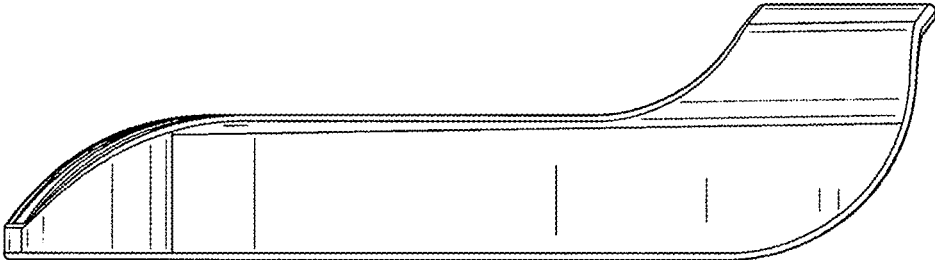


FIG. 5

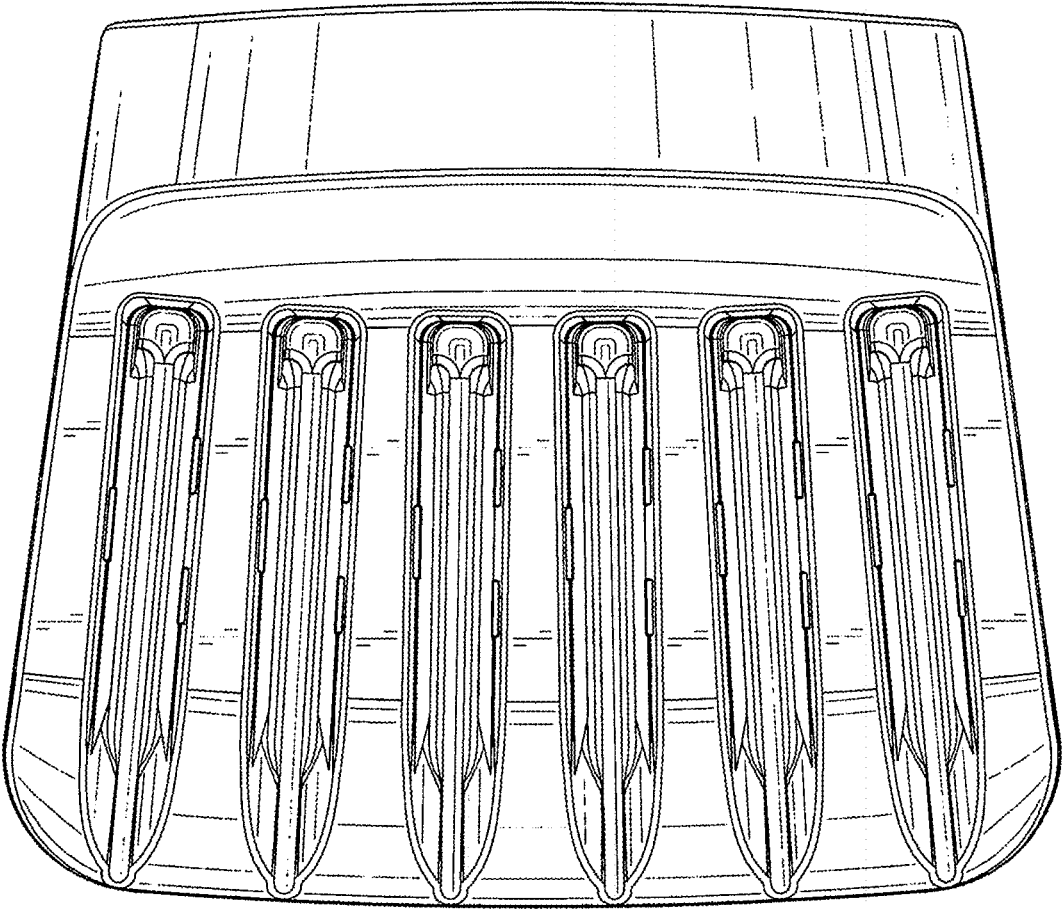


FIG. 6

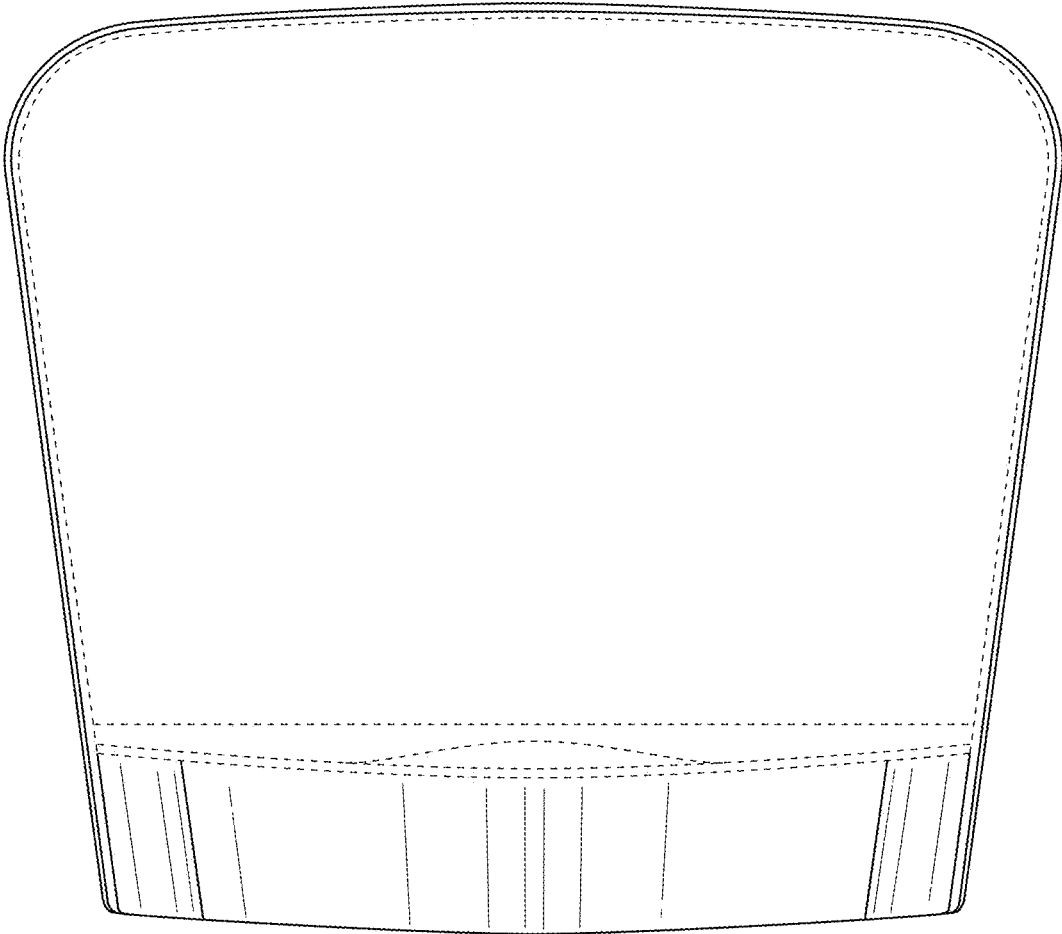


FIG. 7