



US0D1011038S

(12) **United States Design Patent**  
**Guan**

(10) **Patent No.:** **US D1,011,038 S**

(45) **Date of Patent:** **\*\* Jan. 16, 2024**

- (54) **SHOE STORAGE BOX**
- (71) Applicant: **Foshan Zuonan Electronic Commerce Co., Ltd., Foshan (CN)**
- (72) Inventor: **Caixia Guan, Foshan (CN)**
- (73) Assignee: **Foshan Zuonan Electronic Commerce Co., Ltd.**
- (\*\*) Term: **15 Years**

D949,565 S *	4/2022	Huang	.....	D3/298
D950,244 S *	5/2022	Song	.....	D3/294
D951,635 S	5/2022	Shang	.....	
D956,420 S *	7/2022	Song	.....	D3/294
D965,298 S	10/2022	Kong	.....	
D969,486 S	11/2022	Hu	.....	
2007/0039840 A1 *	2/2007	Mu	.....	B65D 5/38 206/278

(21) Appl. No.: **29/886,142**

(22) Filed: **Mar. 6, 2023**

(51) **LOC (14) Cl.** ..... **03-01**

(52) **U.S. Cl.**  
USPC ..... **D3/294**

(58) **Field of Classification Search**  
USPC ..... D3/201, 212, 225, 269, 272, 273, 276,  
D3/283, 284, 286, 294, 295, 304, 315,  
D3/317; D9/420, 423, 426, 428, 430,  
D9/432, 436, 499, 558, 721  
CPC ... A45F 2200/00; A45F 2200/05; B65D 1/00;  
B65D 1/22; B65D 1/24; B65D 1/36  
See application file for complete search history.

(56) **References Cited**

**U.S. PATENT DOCUMENTS**

D478,435 S *	8/2003	Brownfield	.....	D6/683
6,732,858 B1 *	5/2004	Chang Ou	.....	A47B 87/0276 220/23.6
D535,102 S *	1/2007	Matsuda	.....	D9/418
D584,053 S	1/2009	Abdo	.....	
D590,153 S	4/2009	Sapp	.....	
D617,558 S	6/2010	Myers	.....	
D643,628 S	8/2011	Monarch	.....	
D675,020 S	1/2013	Mu	.....	
D816,992 S	5/2018	Sapp	.....	
D866,965 S *	11/2019	Chen	.....	D3/294
D899,773 S *	10/2020	Hu	.....	D3/304
D949,564 S	4/2022	Zheng	.....	

**FOREIGN PATENT DOCUMENTS**

CN	306958799	*	11/2021
CN	307445442	*	7/2022

**OTHER PUBLICATIONS**

EWonlife shoe storage box, posted at amazon.com, first available Nov. 4, 2022, retrieved on May 24, 2023, online, <https://www.amazon.com/eWonLife-Magnetic-Stackable-Organizer-Containers/dp/B0BLHBSV2P> (Year: 2022).\*

(Continued)

*Primary Examiner* — John R Yeh  
*Assistant Examiner* — Dustin Andrew Griffith  
(74) *Attorney, Agent, or Firm* — Jose Cherson Weissbrot

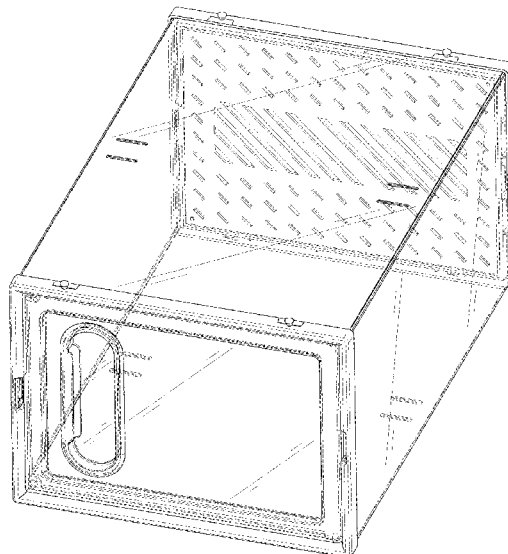
(57) **CLAIM**

The ornamental design for a shoe storage box, as shown and described.

**DESCRIPTION**

FIG. 1 is a top perspective view of a shoe storage box showing my new design;  
FIG. 2 is a bottom perspective view thereof;  
FIG. 3 is a front view thereof;  
FIG. 4 is a rear view thereof;  
FIG. 5 is a left side view thereof, the right side view being a mirror image of FIG. 5;  
FIG. 6 is a top view thereof; and,  
FIG. 7 is a bottom view thereof.

**1 Claim, 7 Drawing Sheets**



(56)

**References Cited**

OTHER PUBLICATIONS

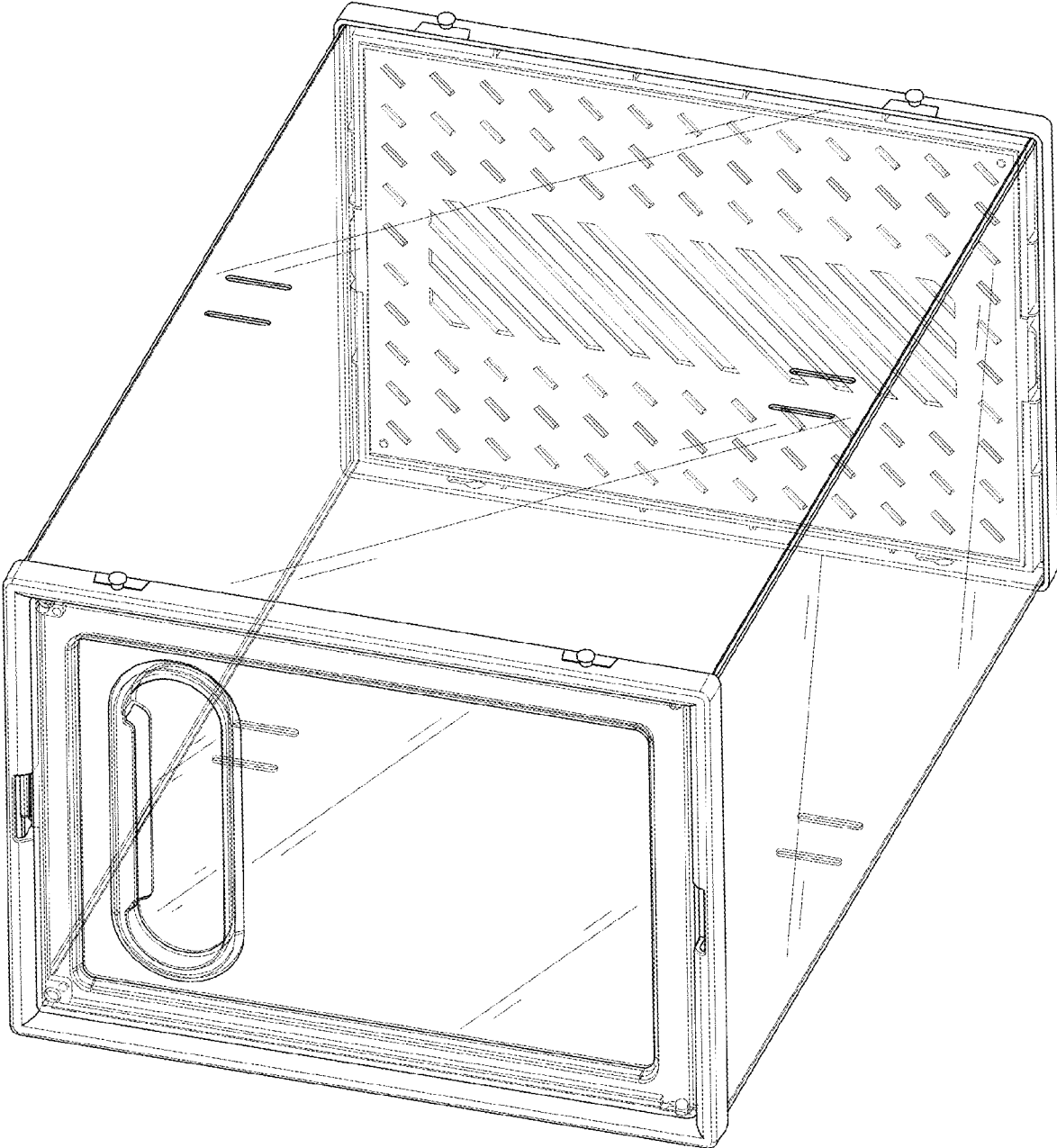
Gonat shoe organizer, posted at amazon.com, first available Nov. 4, 2022, retrieved on May 24, 2023, online, <https://www.amazon.com/GONAT-Organizers-Stackable-Dust-Proof-Replacement/dp/B0BLHJVGY1> (Year: 2022).\*

Verybegin shoe storage box, posted at amazon.com, first available Aug. 31, 2022, retrieved on May 24, 2023, online, <https://www.amazon.com/Verybegin-Stackable-Containers-Assembly-Size5-10/dp/B0BBDYNHY8> (Year: 2022).\*

EWonLife Large Shoe Storage Box with Magnetic Door, 12 Pack Clear Plastic Stackable Sneaker Organizer for Closet, Connect Left and Right Shoe Containers Bins for Entryway, Drop Front, Under Bed, Black, amazon.com, Nov. 4, 2022, eWonLife, <https://www.amazon.com/dp/B0BLHBSV2P?th=1>, (Last accessed : Mar. 3, 2023).

Gonat Large Shoe Organizers, 12 Pack Shoe Boxes Clear Plastic Stackable, Dust-Proof Shoe Container Stackable, Shoe Storage Organizers For Closet, Good Replacement For Shoe Rack, Under Bed, White, amazon.com, Nov. 4, 2022, Gonat, <https://www.amazon.com/dp/B0BLHJVGY1?th=1>, (Last accessed : Mar. 3, 2023).

\* cited by examiner



**FIG. 1**

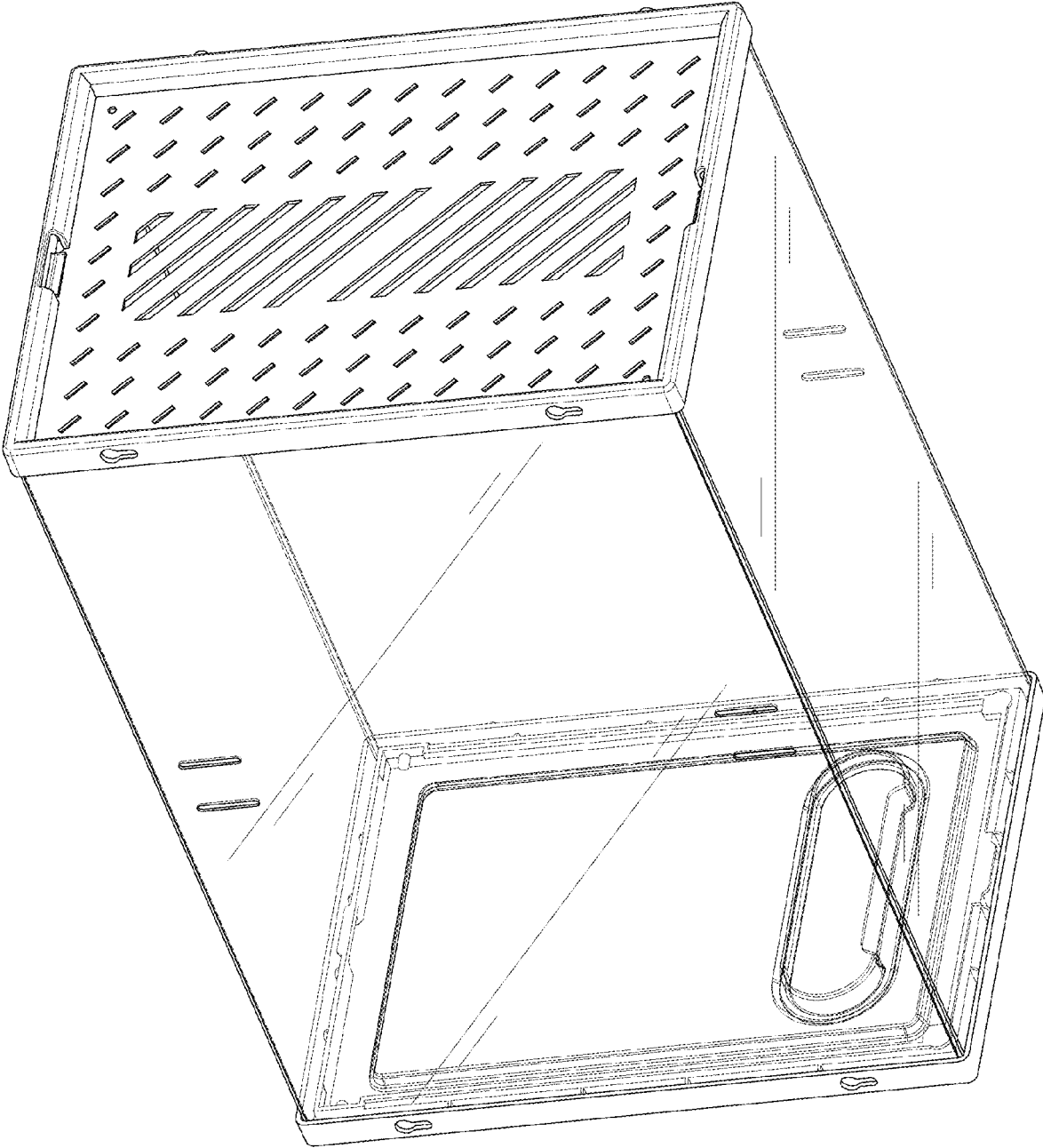
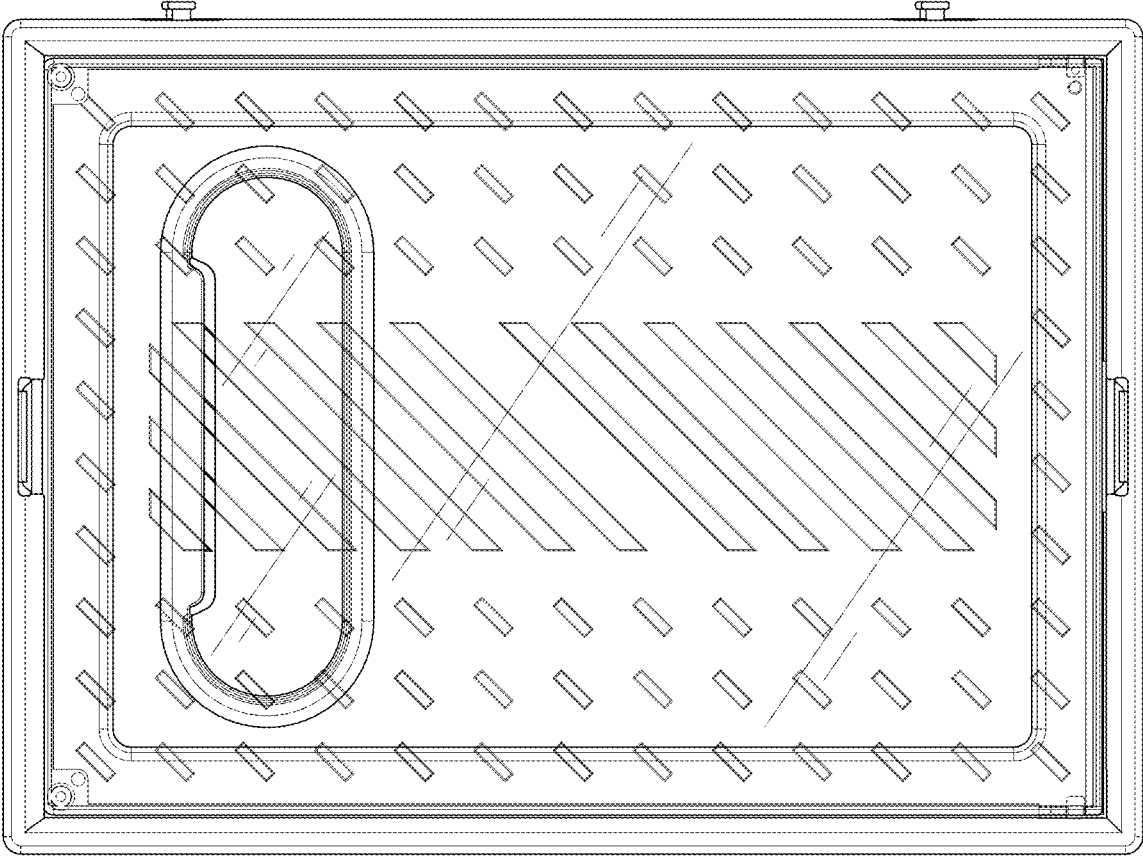
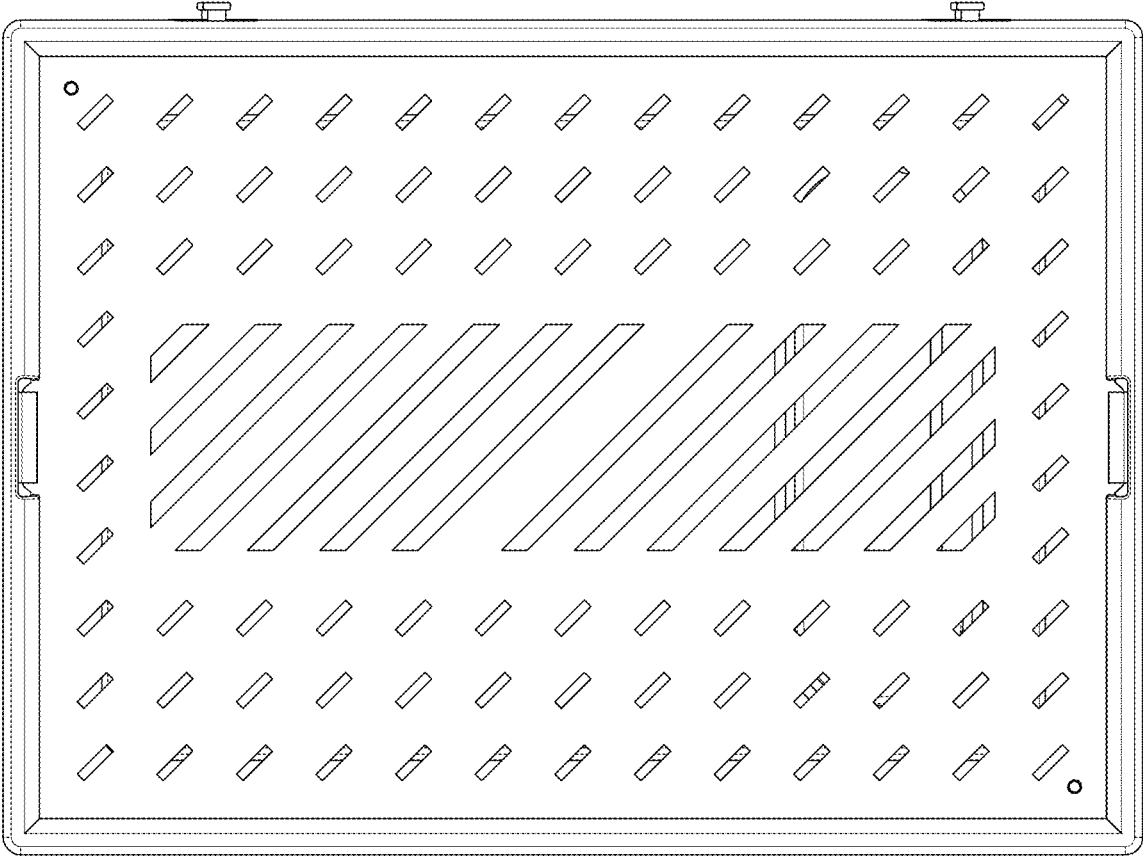


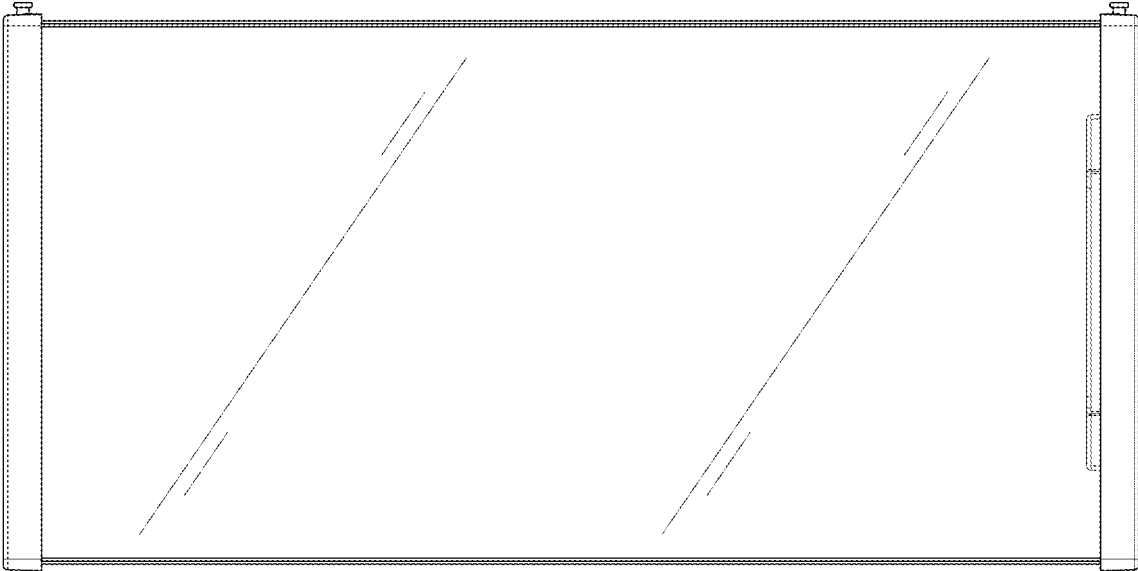
FIG. 2



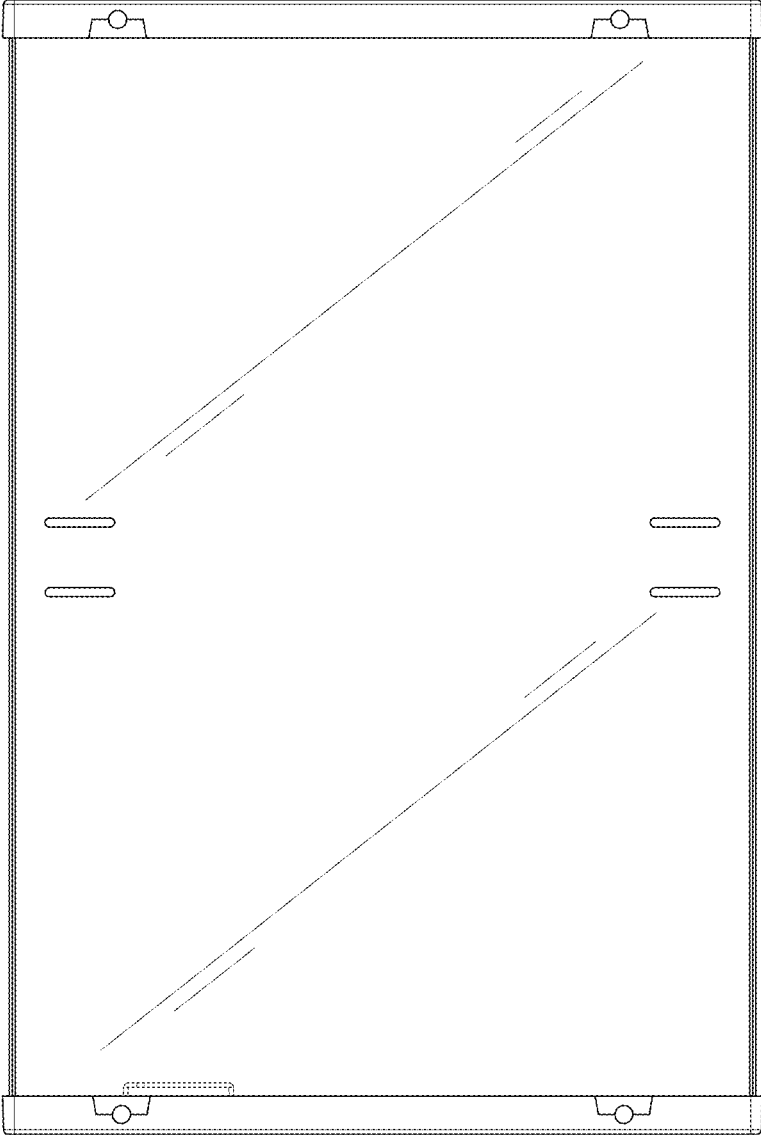
*FIG. 3*



**FIG. 4**

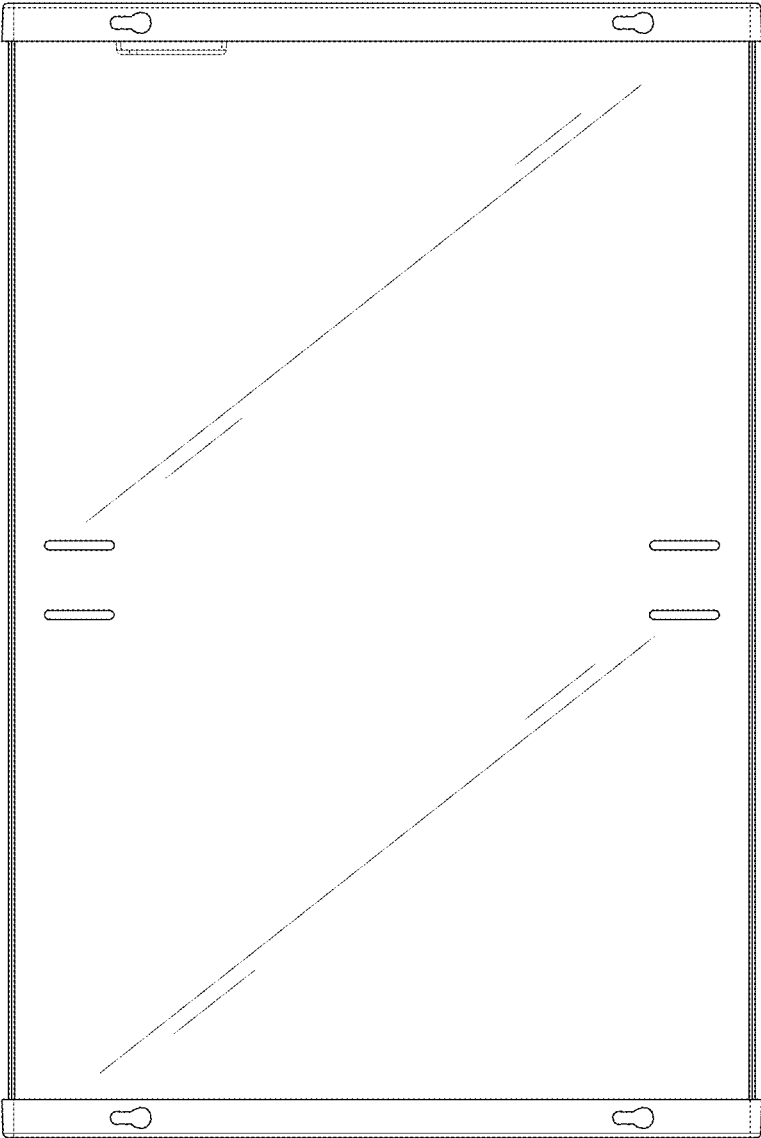


**FIG.5**



**FIG. 6**





**FIG. 7**