



(12) **United States Design Patent**
Joseph

(10) **Patent No.:** **US D1,005,003 S**
(45) **Date of Patent:** **** Nov. 21, 2023**

- (54) **BRACKET**
- (71) Applicant: **Joseph Joseph Ltd.**, London (GB)
- (72) Inventor: **Antony Joseph**, London (GB)
- (73) Assignee: **JOSEPH JOSEPH LTD.**, London (GB)
- (**) Term: **15 Years**
- (21) Appl. No.: **29/767,243**
- (22) Filed: **Jan. 21, 2021**
- (30) **Foreign Application Priority Data**

D785,369 S *	5/2017	Goodman	D6/566
D866,303 S *	11/2019	Berger	D8/367
D904,070 S *	12/2020	Lai	D6/553
D955,139 S *	6/2022	Lin	D6/574
D988,121 S *	6/2023	Sang	D8/381

- Jul. 22, 2020 (EM) 008050132-0021
- (51) **LOC (14) Cl.** **23-08**
- (52) **U.S. Cl.**
USPC **D6/546**
- (58) **Field of Classification Search**
USPC D6/523-525, 527, 532, 546, 549, 553,
D6/566, 574, 672; D8/367, 300, 353,
D8/354, 349, 499; D14/224, 251;
D19/90
CPC A47K 10/04; A47K 3/003; A47J 47/16
See application file for complete search history.

OTHER PUBLICATIONS

Rouroumaoyi Contracted Bathroom Rack Towel Rack by Yeziq, available in Amazon.com, earliest available date Aug. 1, 2018 [online], retrieved on Jun. 21, 2023 from URL: <https://www.amazon.com/rouroumaoyi-Contracted-Bathroom-Suction-Cosmetic/dp/B084MGTINGH> (Year: 2018).*

Joseph Joseph DoorStore™ In-cupboard Sink Tidy 85198, published Dec. 9, 2020 Year 2020 [online], Retrieved on Jun. 21, 2023 from URL: <https://vimeo.com/488924578> (Year: 2020).*

* cited by examiner

Primary Examiner — Vy N Koenig
Assistant Examiner — Michelle M Reeves
 (74) *Attorney, Agent, or Firm* — MILLEN, WHITE, ZELANO & BRANIGAN, PC; Ryan Pool

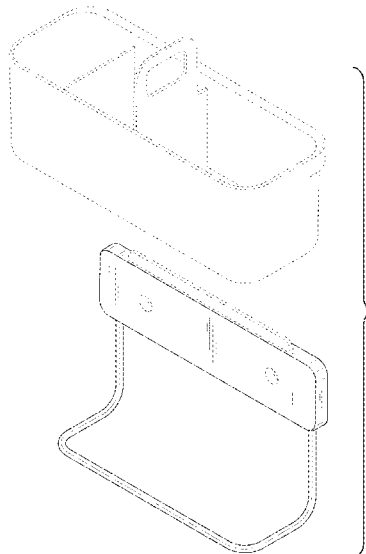
- (56) **References Cited**
U.S. PATENT DOCUMENTS
- 1,325,472 A * 12/1919 Ide A47K 10/04
211/181.1
- D146,280 S * 1/1947 Goddard D6/574
- D242,409 S * 11/1976 Enckler D8/373
- D256,746 S * 9/1980 Loveson D6/574
- D263,009 S * 2/1982 O'Keefe D6/523
- D286,839 S * 11/1986 Belokin D6/546
- D327,598 S * 7/1992 Emery D6/522
- D406,485 S * 3/1999 Paikos D6/566
- D684,032 S * 6/2013 Randle D8/349
- D730,719 S * 6/2015 Sundberg D8/371

(57) **CLAIM**
 The ornamental design for a bracket, as shown and described.

DESCRIPTION

FIG. 1 is a front view of the bracket showing my new design.
 FIG. 2 is a back view thereof.
 FIG. 3 is a side view thereof.
 FIG. 4 is another side view thereof.
 FIG. 5 is top view thereof.
 FIG. 6 is a bottom view thereof.
 FIG. 7 is a perspective view thereof; and,
 FIG. 8 is a perspective exploded view thereof.
 The broken lines in the drawings illustrate portions of the bracket which form no part of the claimed design.

1 Claim, 8 Drawing Sheets



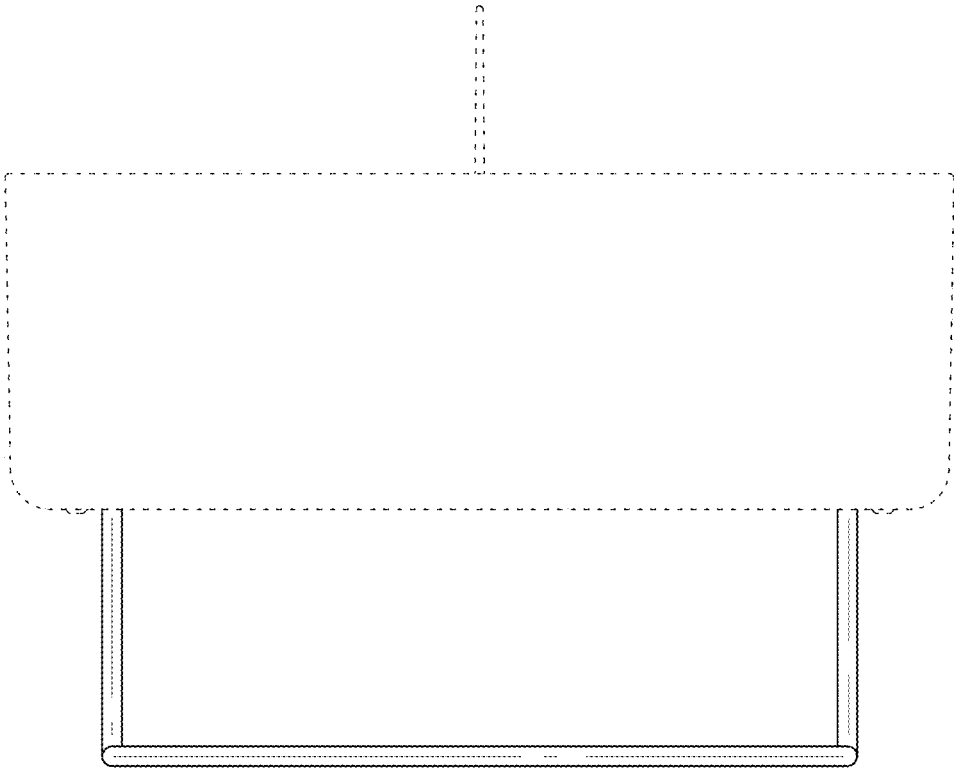


FIG. 1

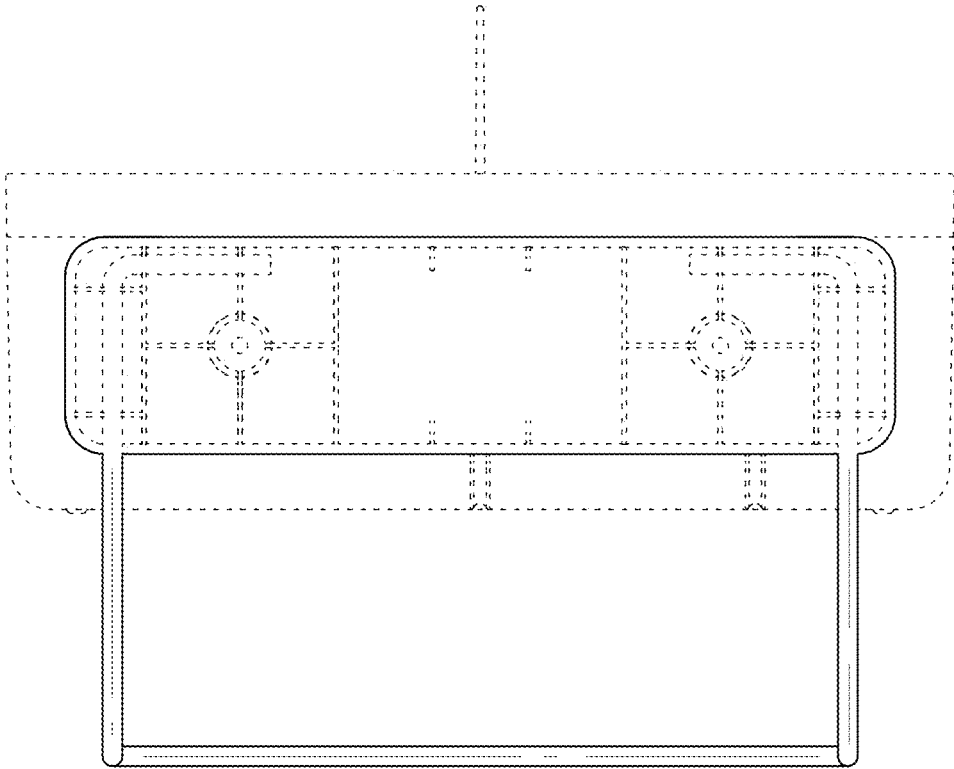


FIG. 2

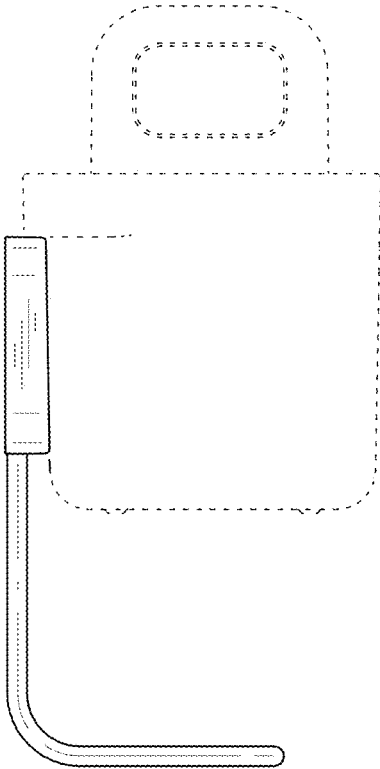


FIG. 3

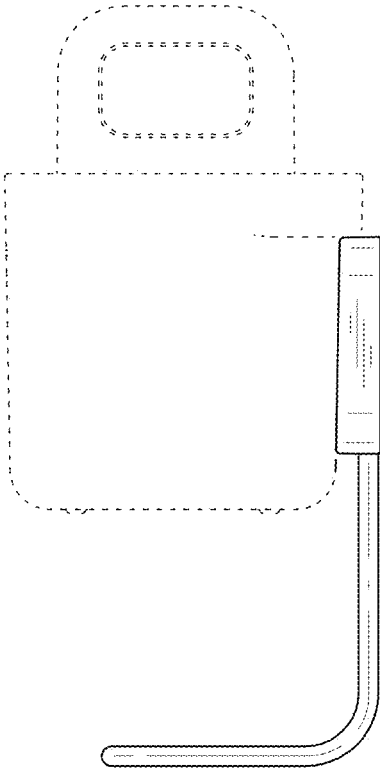


FIG. 4

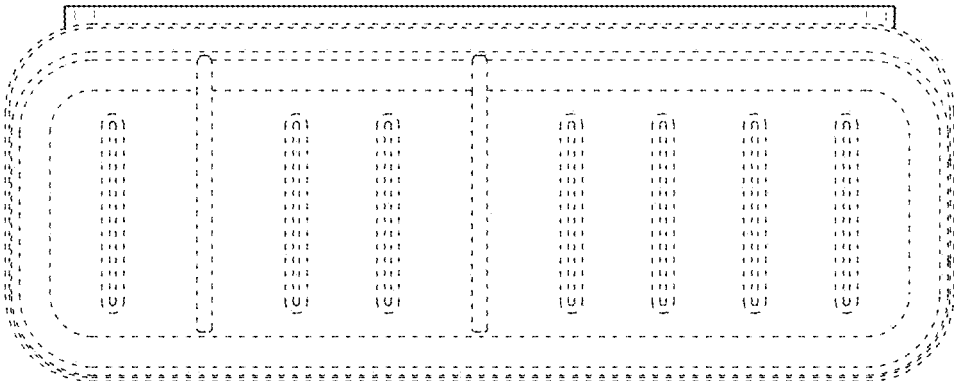


FIG. 5

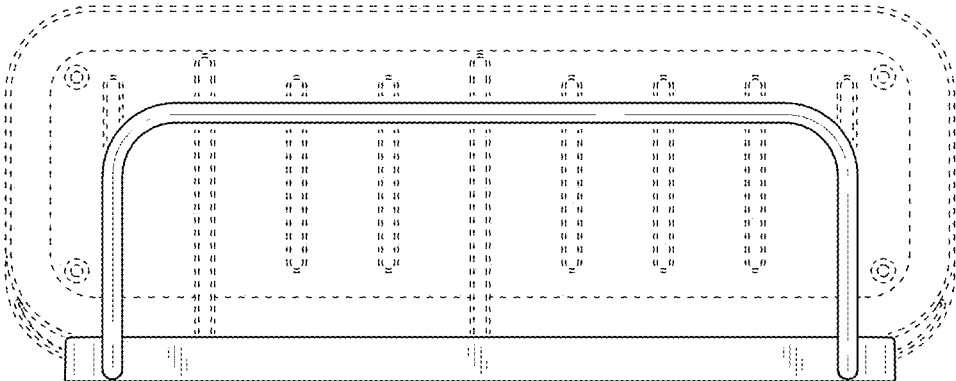


FIG. 6

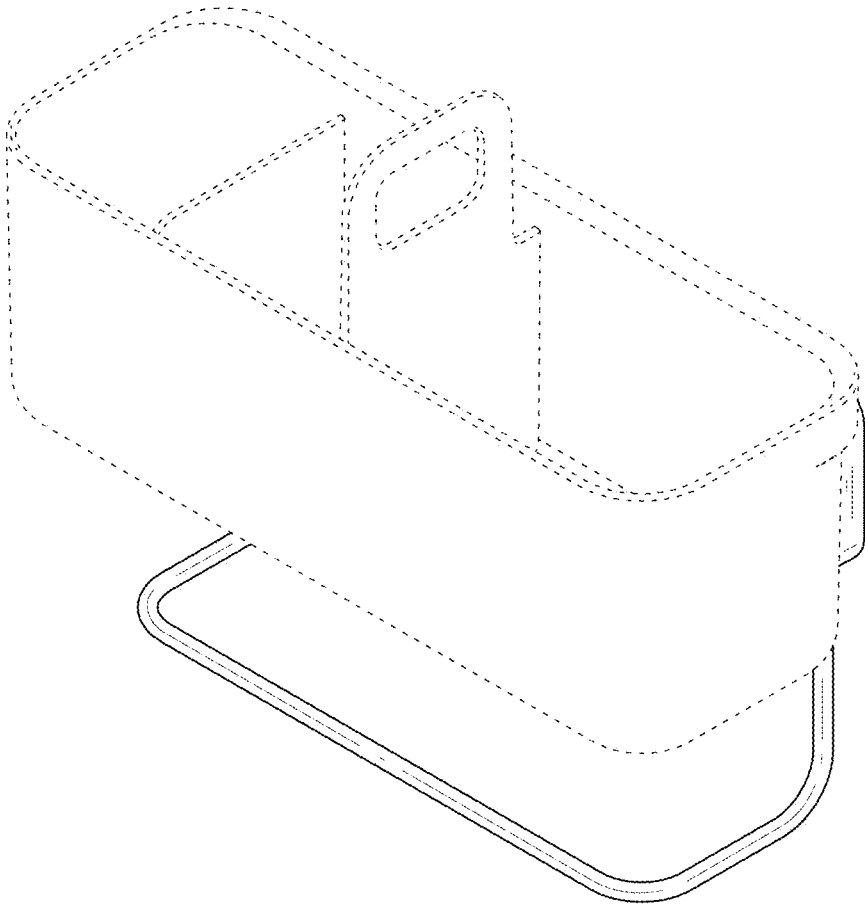


FIG. 7

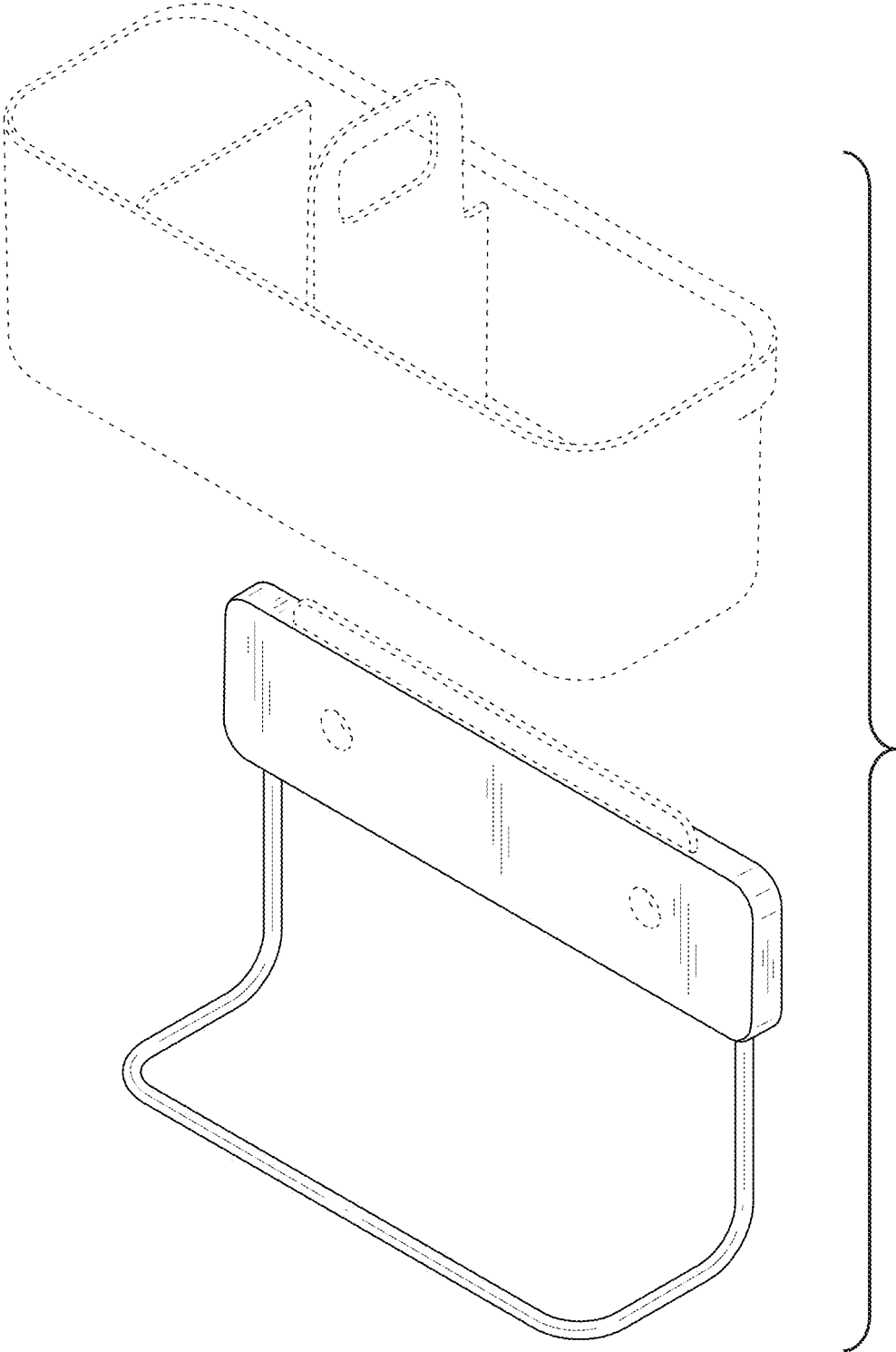


FIG. 8