

[54] RECHARGEABLE STORAGE BATTERY

[75] Inventor: David B. Chaney, Powell, Ohio

[73] Assignee: Arcair Company, Lancaster, Ohio

[**] Term: 14 Years

[21] Appl. No.: 662,206

[22] Filed: Oct. 18, 1984

[52] U.S. Cl. D13/8; D13/11

[58] Field of Search D13/8-11;
429/48, 96, 100, 163-165, 175, 176, 187, 159;
320/2-5; 307/150

[56] References Cited

U.S. PATENT DOCUMENTS

D. 204,607 5/1966 Rutzebeck D13/11

D. 207,318 4/1967 Watanabe D13/11
D. 236,492 8/1975 Helgesson D13/8
D. 243,344 2/1977 Allard D13/11
4,300,087 11/1981 Meisner 320/2

Primary Examiner—Susan J. Lucas
Assistant Examiner—C. E. Heflin
Attorney, Agent, or Firm—James C. Simmons; E.
Eugene Innis

[57] CLAIM

The ornamental design for a rechargeable storage battery, as shown.

DESCRIPTION

FIG. 1 is a top, left side perspective view of the rechargeable storage battery showing my new design; FIG. 2 is a bottom, right side perspective view thereof shown on a reduced scale.

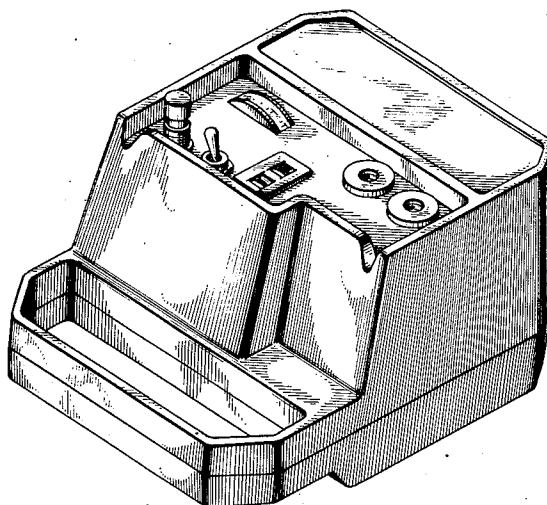


FIG. 1

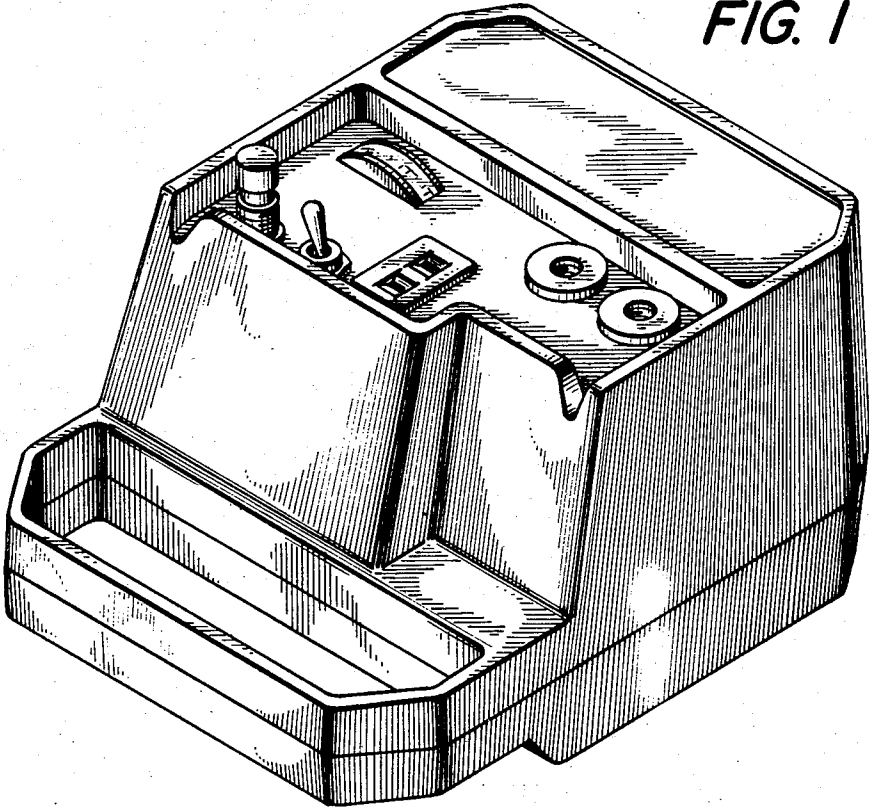


FIG. 2

