



US00D567612S

(12) **United States Design Patent**
Wright et al.

(10) **Patent No.:** **US D567,612 S**

(45) **Date of Patent:** **** Apr. 29, 2008**

(54) **CIRCULAR SAW**

(75) Inventors: **Stuart J. Wright**, Timonium, MD (US); **David Wikle**, York, PA (US)

(73) Assignee: **Black & Decker Inc.**, Newark, DE (US)

(**) Term: **14 Years**

(21) Appl. No.: **29/286,123**

(22) Filed: **Apr. 24, 2007**

(51) **LOC (8) Cl.** **08-03**

(52) **U.S. Cl.** **D8/66**

(58) **Field of Classification Search** D8/69, D8/68, 67, 66, 64, 61, 70; 83/698.41, 747; 30/166.3, 374, 373, 375, 376, 391, 377, 390, 30/388, 389; 125/13.01; 144/218

See application file for complete search history.

(56) **References Cited**

U.S. PATENT DOCUMENTS

1,830,580 A	11/1931	Wappat	
D180,815 S	8/1957	Bentley	
3,123,109 A	3/1964	Bork	
4,245,390 A	1/1981	Bond	
4,787,145 A	11/1988	Klicker et al.	
4,870,758 A *	10/1989	Fushiya	30/388
4,939,843 A	7/1990	Rogers	
D315,854 S	4/1991	Kawakami et al.	
D337,500 S	7/1993	Hutchings, II	
5,850,697 A	12/1998	Welch	
D408,248 S *	4/1999	Zurwelle et al.	D8/66
5,930,903 A *	8/1999	Hurn et al.	30/391
6,026,576 A	2/2000	Hurn et al.	
D426,759 S	6/2000	Zurwelle et al.	
D439,483 S	3/2001	Zurwelle et al.	
6,484,410 B1	11/2002	Meastas	

D471,783 S	3/2003	McAuliffe et al.	
D475,265 S	6/2003	Hatch et al.	
D504,297 S	4/2005	Tillman et al.	
D528,390 S *	9/2006	Waldron	D8/66
D539,108 S *	3/2007	Roberts	D8/66
D539,626 S *	4/2007	Roberts	D8/66
2002/0166240 A1	11/2002	Duford et al.	

* cited by examiner

Primary Examiner—Cathron C. Brooks

Assistant Examiner—Austin Murphy

(74) *Attorney, Agent, or Firm*—Mehul R. Jani; Adan Ayala; Charles Yocum

(57) **CLAIM**

The ornamental design for a circular saw, as shown and described.

DESCRIPTION

FIG. 1 is a front perspective view of a circular saw showing the new design.

FIG. 2 is a front view thereof.

FIG. 3 is a rear view thereof.

FIG. 4 is a right side view thereof.

FIG. 5 is a left side view thereof.

FIG. 6 is a top view thereof.

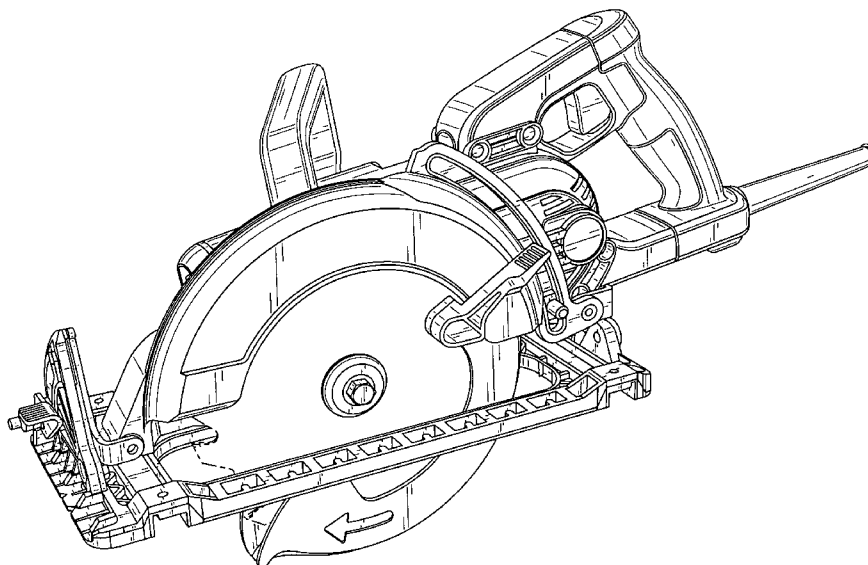
FIG. 7 is a bottom view thereof; and,

FIG. 8 is a rear perspective view of a second embodiment of the circular saw showing a skyhook attachment.

The broken lines that define the bounds of the claimed design form no part thereof.

The broken lines shown in drawings form no part of the claimed design.

1 Claim, 6 Drawing Sheets



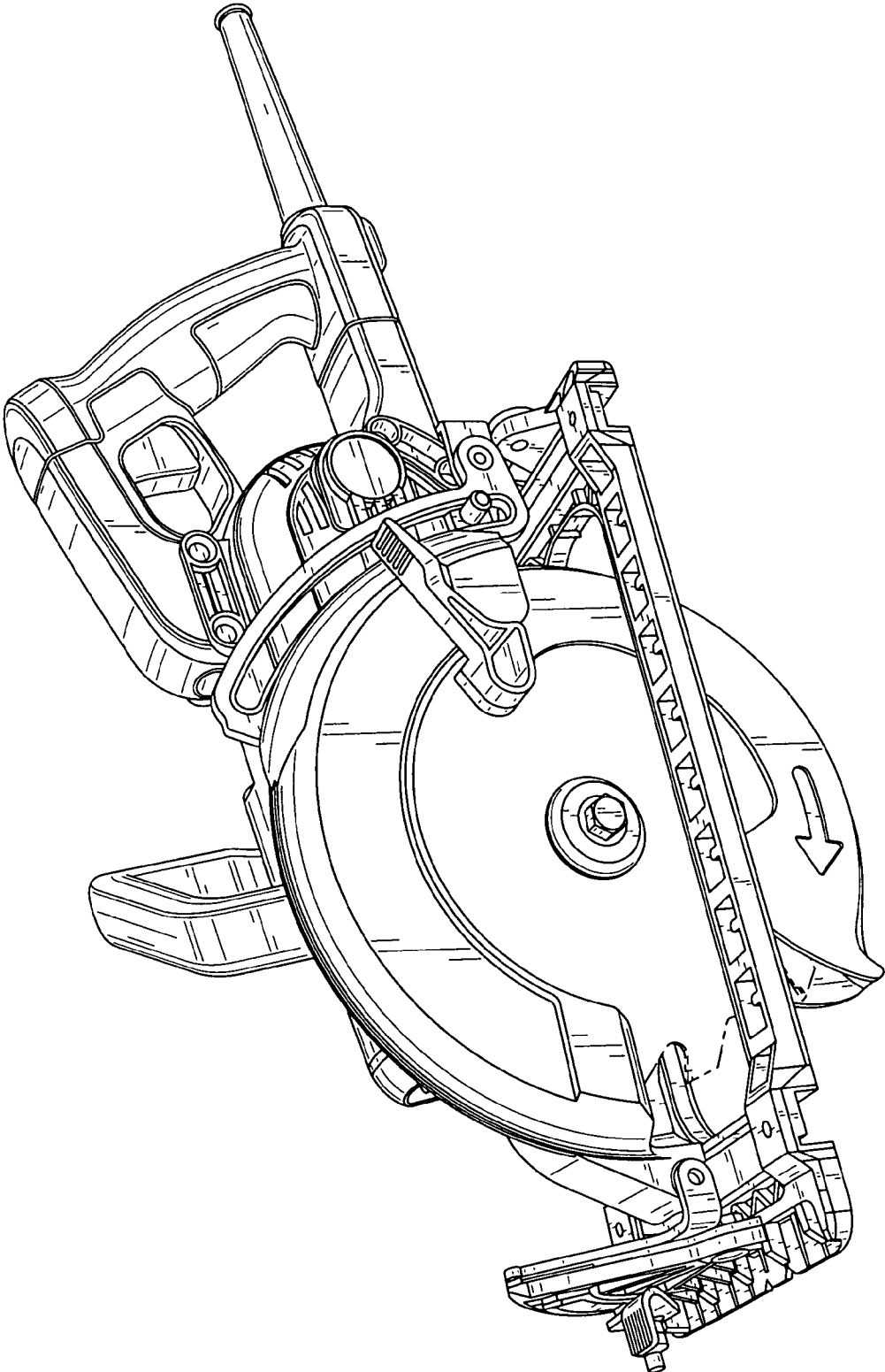


FIG. 1

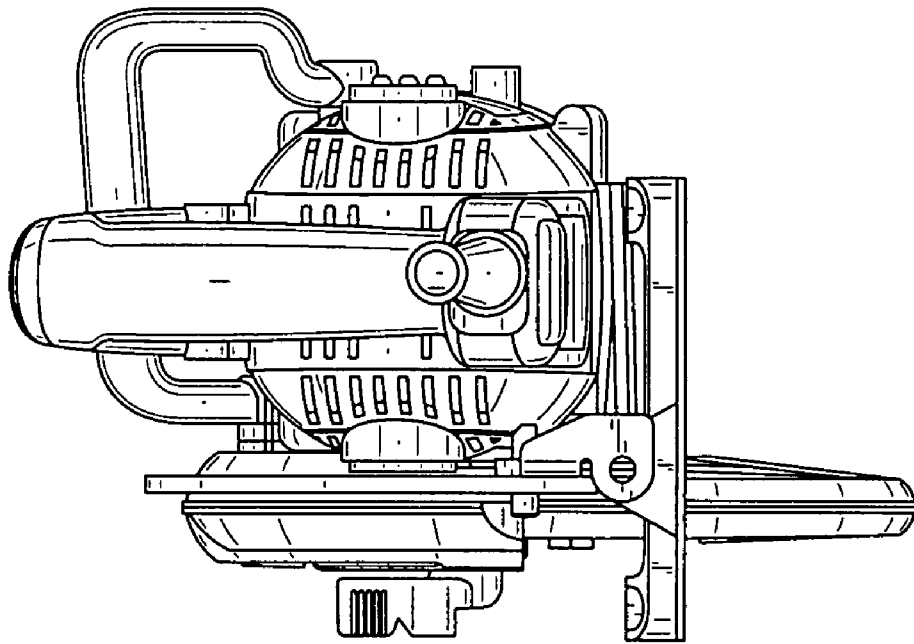


FIG. 3

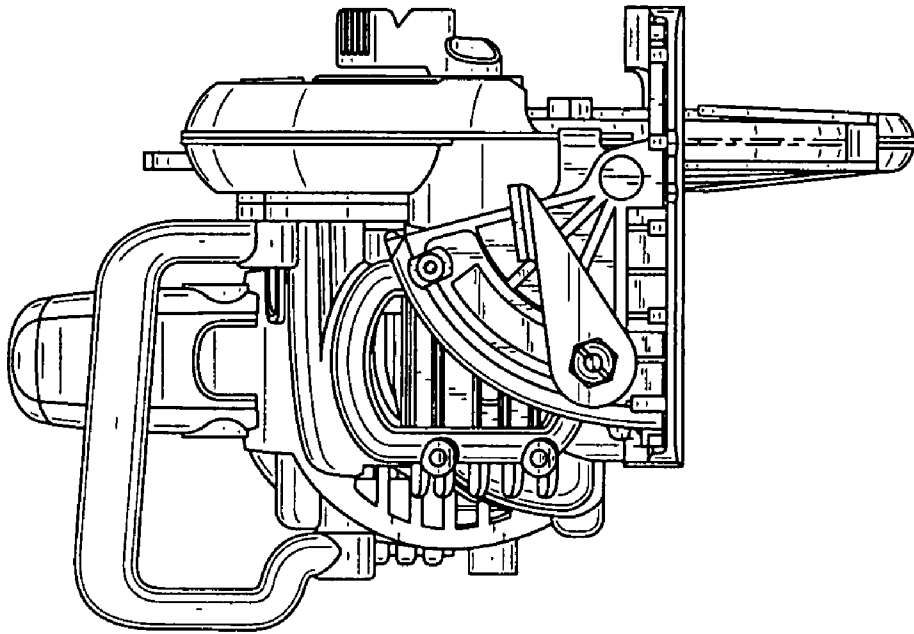


FIG. 2

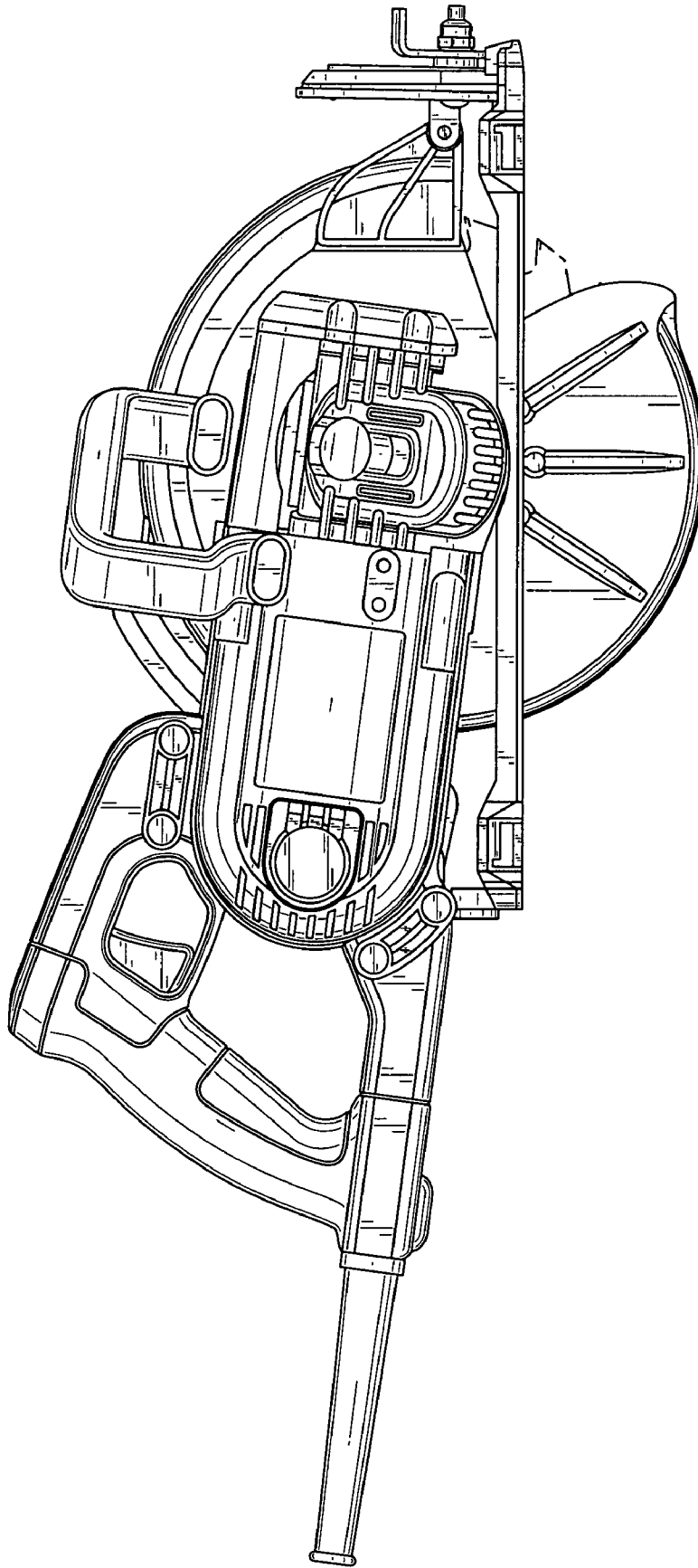


FIG. 4

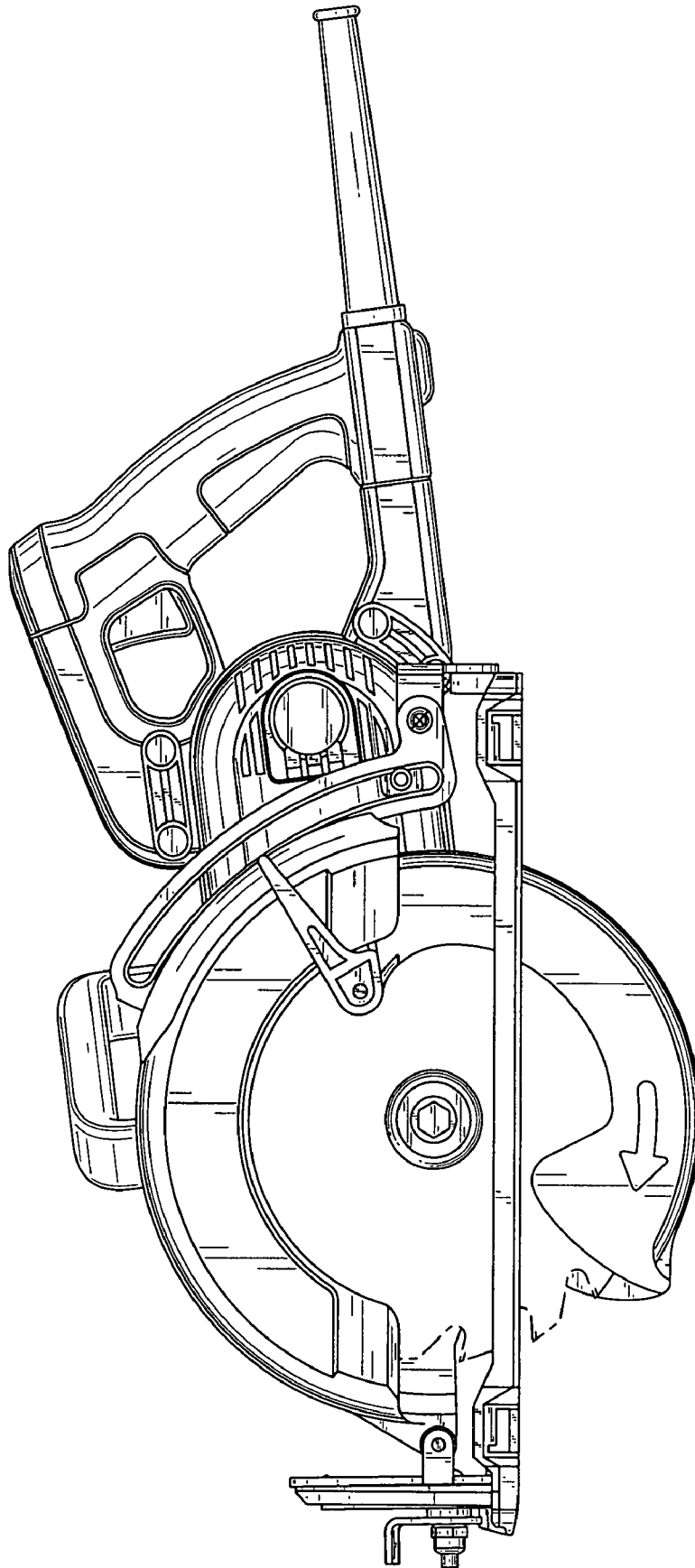


FIG. 5

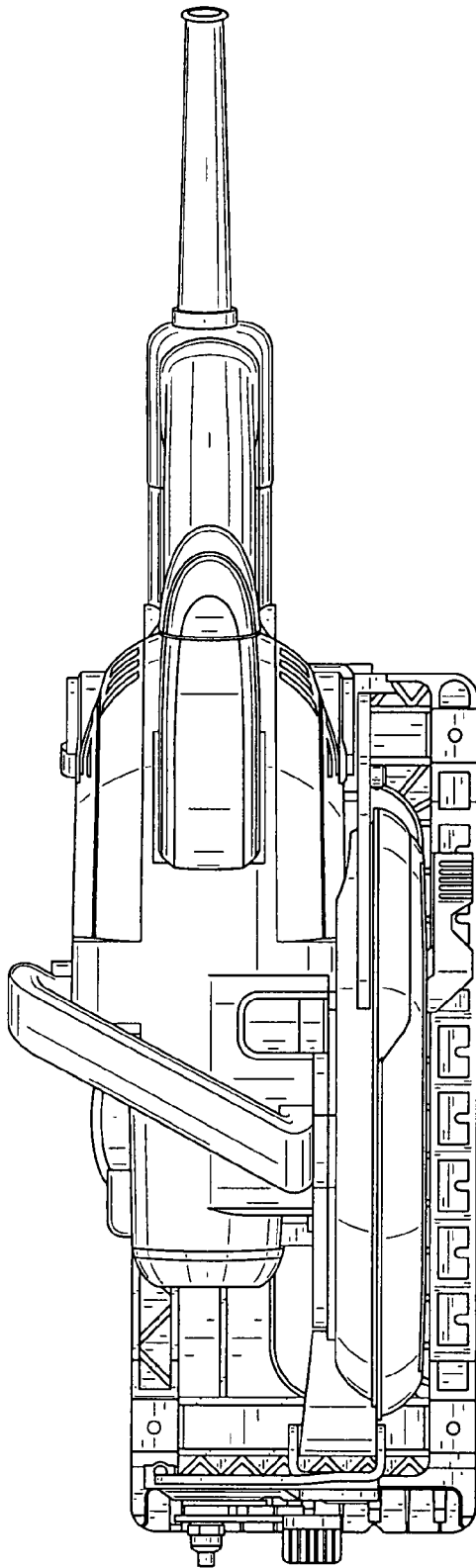


FIG. 6

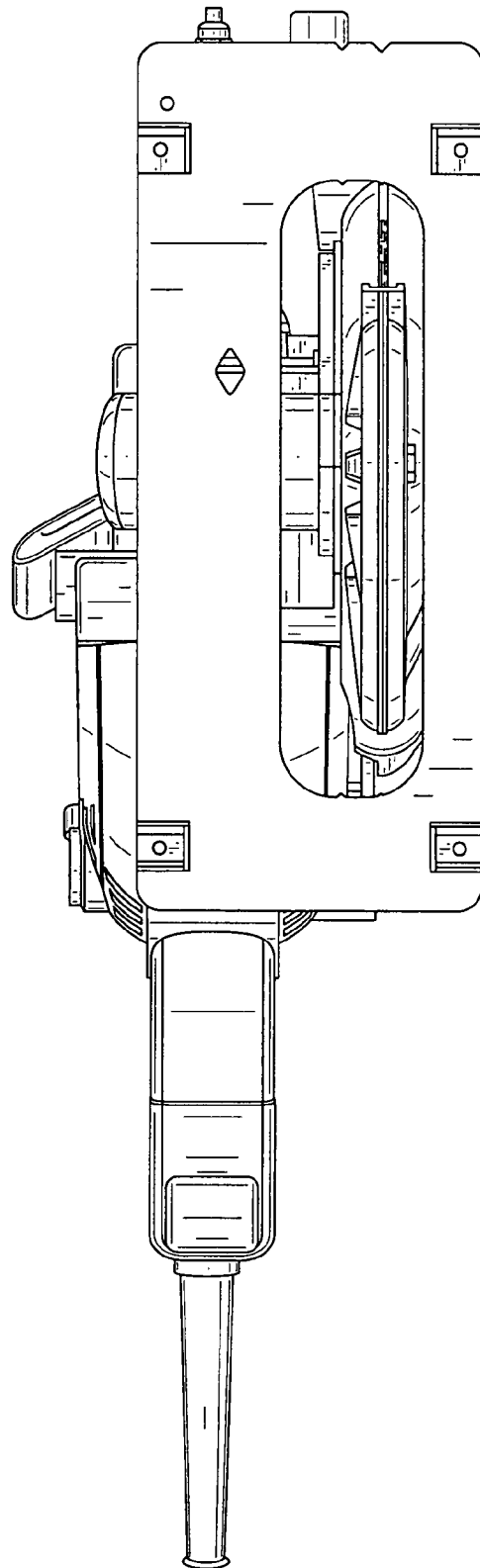


FIG. 7

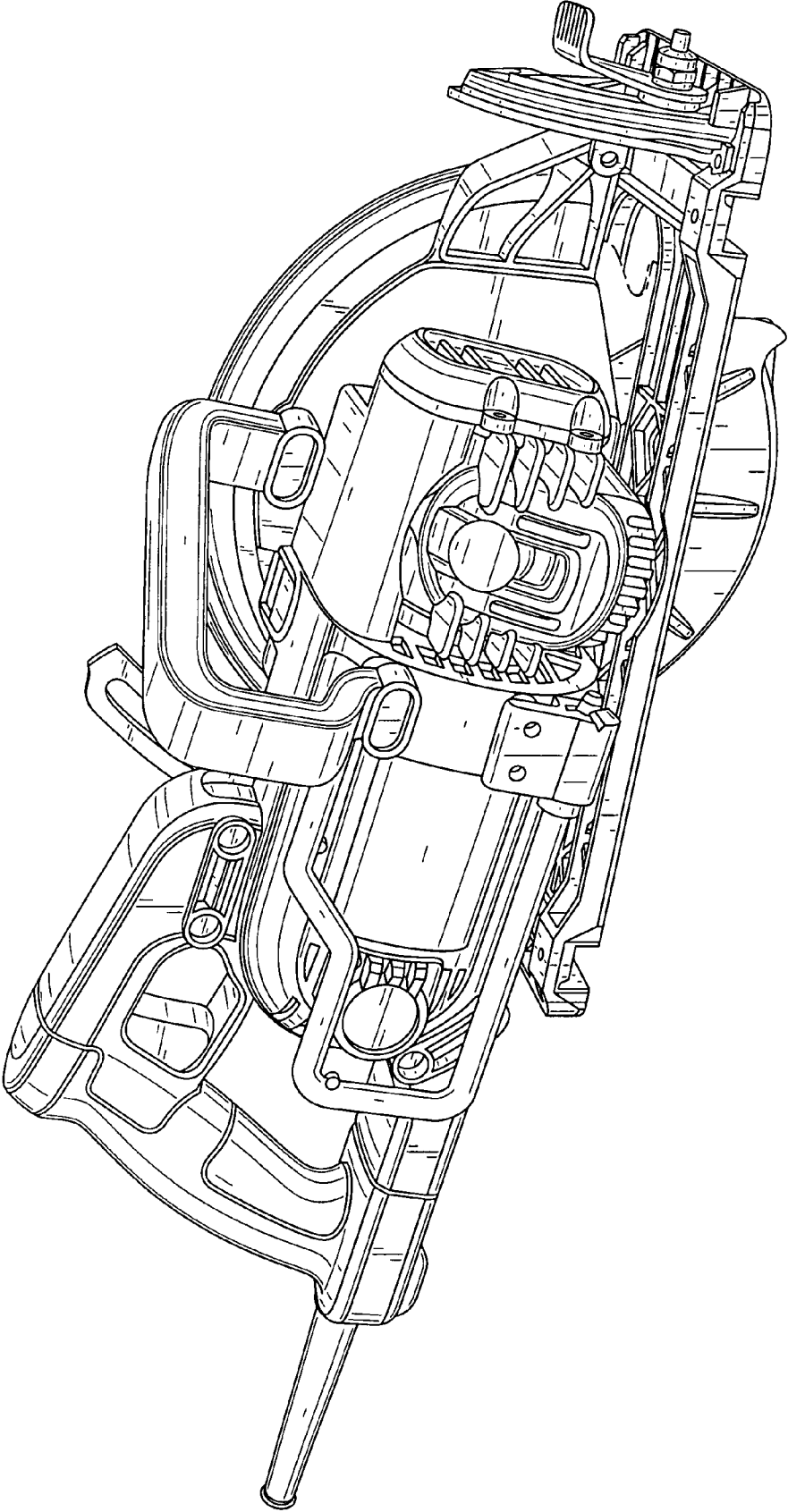


FIG. 8