



US00D794614S

(12) **United States Design Patent**
Xu

(10) **Patent No.:** **US D794,614 S**

(45) **Date of Patent:** **** Aug. 15, 2017**

- (54) **EARPHONE**
- (71) Applicants: **IMORE INC.**, Guangdong (CN);
Beijing Xiaomi Mobile Software Co., Ltd., Beijing (CN)
- (72) Inventor: **Shichen Xu**, Guangdong (CN)
- (73) Assignees: **IMORE INC.**, Shenzhen (CN);
BEIJING XIAOMI MOBILE SOFTWARE CO., LTD., Beijing (CN)
- (**) Term: **15 Years**
- (21) Appl. No.: **29/569,119**
- (22) Filed: **Jun. 23, 2016**
- (30) **Foreign Application Priority Data**

Dec. 24, 2015 (CN) 2015 3 0556088

(51) **LOC (10) Cl.** **14-01**

(52) **U.S. Cl.**
USPC **D14/223**

(58) **Field of Classification Search**
USPC 14/223; D24/174; 181/129, 130, 135;
379/430, 431; 381/380, 381, 328, 322,
381/324, 312, 325
CPC H04R 1/10; H04R 1/1066; H04R 1/1016;
H04R 25/00; H04R 1/105; H04R 1/1091;
H04R 25/02

See application file for complete search history.

(56) **References Cited**

U.S. PATENT DOCUMENTS

- 1,556,775 A * 10/1925 Fensky G10K 11/08
181/130
- 2,262,568 A * 11/1941 Wade A61F 11/08
128/864
- 2,513,985 A * 7/1950 Woodruff H04R 1/1008
181/130
- D213,448 S * 3/1969 Giller D24/174

- D230,280 S * 2/1974 Nygard D24/174
- 3,811,437 A * 5/1974 Gardner, Jr. A61F 11/10
128/864
- 4,937,876 A * 6/1990 Biermans H04R 25/604
181/130
- 5,343,539 A * 8/1994 Chan G06T 9/005
348/421.1
- 5,420,935 A * 5/1995 Shinohara H04R 1/1016
379/431
- D464,039 S * 10/2002 Boesen D14/223
- 6,574,345 B1 * 6/2003 Huang H04R 1/1016
379/430
- D499,397 S * 12/2004 Hlas D14/223
- 6,891,956 B2 * 5/2005 Heerlein H04R 25/654
381/322
- D512,990 S * 12/2005 Yang D14/205
- D586,333 S * 2/2009 Tkachuk D14/223
- 7,778,434 B2 * 8/2010 Juneau A61F 11/10
381/322
- D627,766 S * 11/2010 Arimoto D14/223

(Continued)

Primary Examiner — Paula Allen Greene

(74) *Attorney, Agent, or Firm* — Platinum Intellectual Property LLP

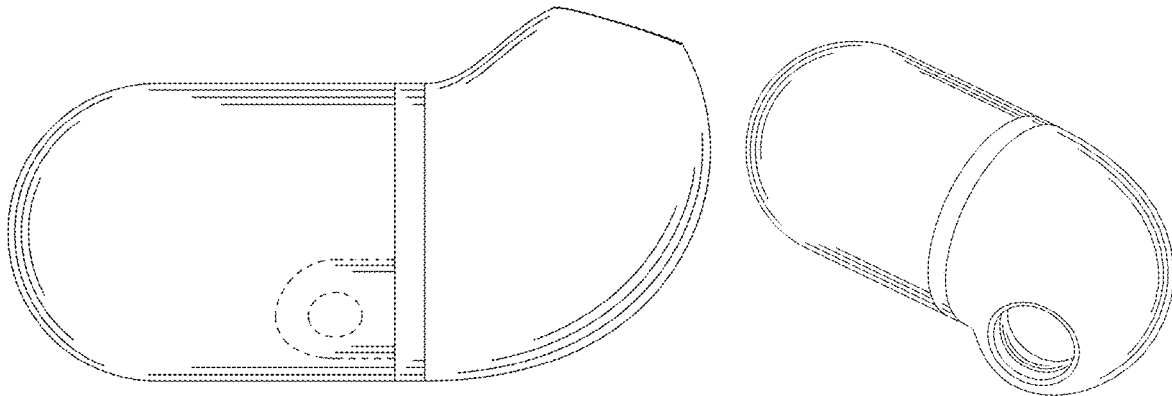
(57) **CLAIM**

The ornamental design for an earphone, as shown and described.

DESCRIPTION

FIG. 1 is a front elevational view of an earphone showing my new design;
FIG. 2 is a rear elevational view thereof;
FIG. 3 is a left-side elevational view thereof;
FIG. 4 is a right-side elevational view thereof;
FIG. 5 is a top plan view thereof;
FIG. 6 is a bottom plan view thereof; and,
FIG. 7 is a perspective view thereof.
The broken lines form no part of the claimed design.

1 Claim, 7 Drawing Sheets



(56)

References Cited

U.S. PATENT DOCUMENTS

D633,086 S * 2/2011 Chen D14/223
D637,183 S * 5/2011 March D14/223
D637,184 S * 5/2011 March D14/223
7,965,855 B1 * 6/2011 Ham H04R 1/1091
181/130
D641,738 S * 7/2011 Perez D14/223
D641,739 S * 7/2011 Huang D14/223
D662,493 S * 6/2012 Chen D14/223
D671,531 S * 11/2012 Kim D14/223
8,477,978 B2 * 7/2013 Caldarola H04R 5/02
181/130
D762,616 S * 8/2016 Hsieh D14/205
D778,268 S * 2/2017 Hsieh D14/223
2007/0154042 A1 * 7/2007 Buckley B65D 85/38
381/322
2011/0031060 A1 * 2/2011 Epping H04R 1/2803
181/135
2013/0056295 A1 * 3/2013 Campbell H04R 25/652
181/135
2013/0259286 A1 * 10/2013 Chung H04R 1/1016
381/380

* cited by examiner

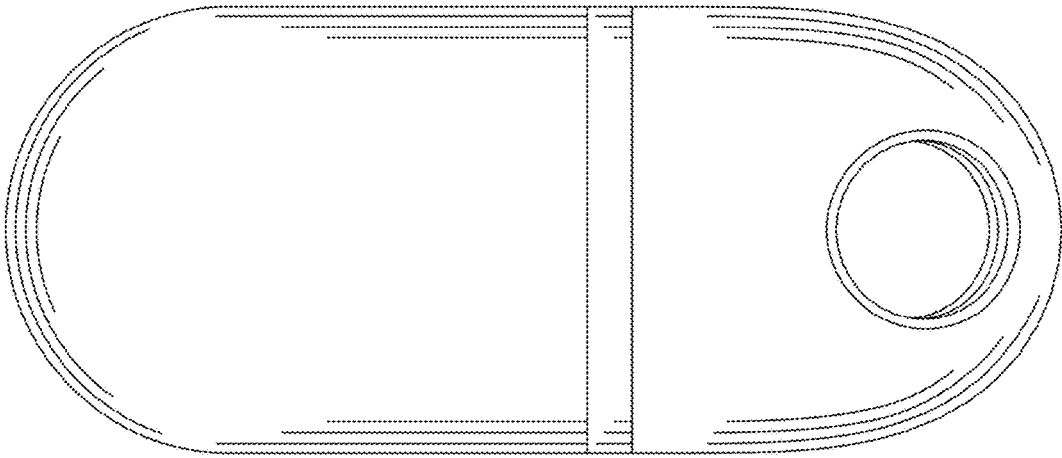


FIG. 1

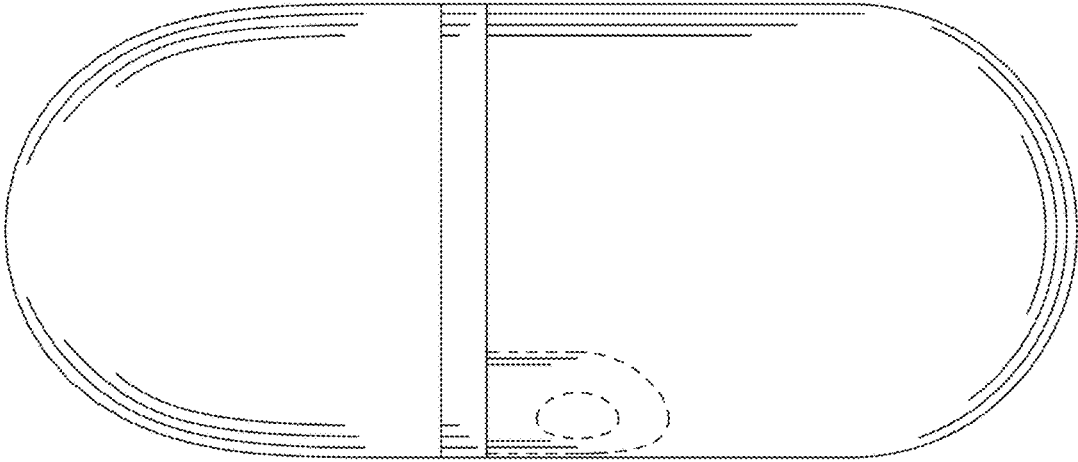


FIG. 2

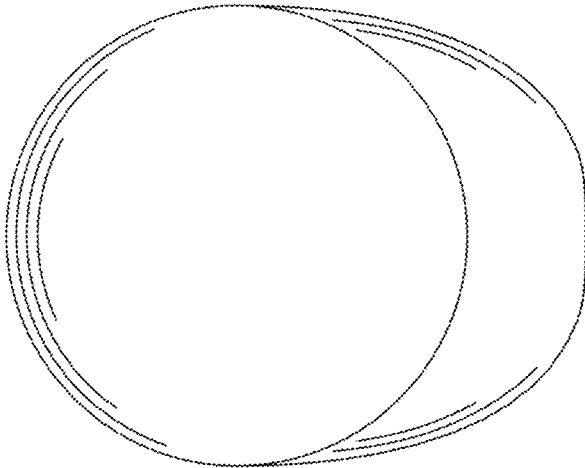


FIG. 3

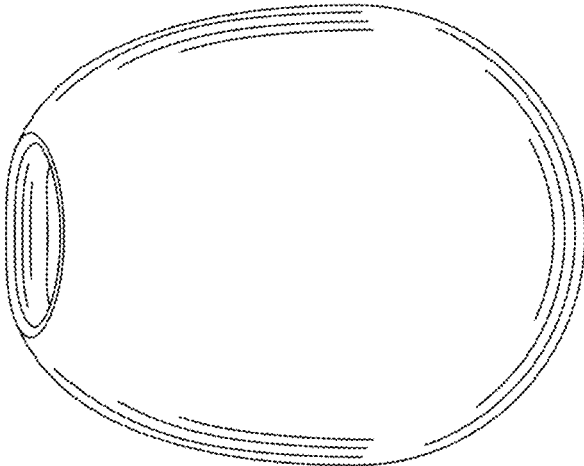


FIG. 4

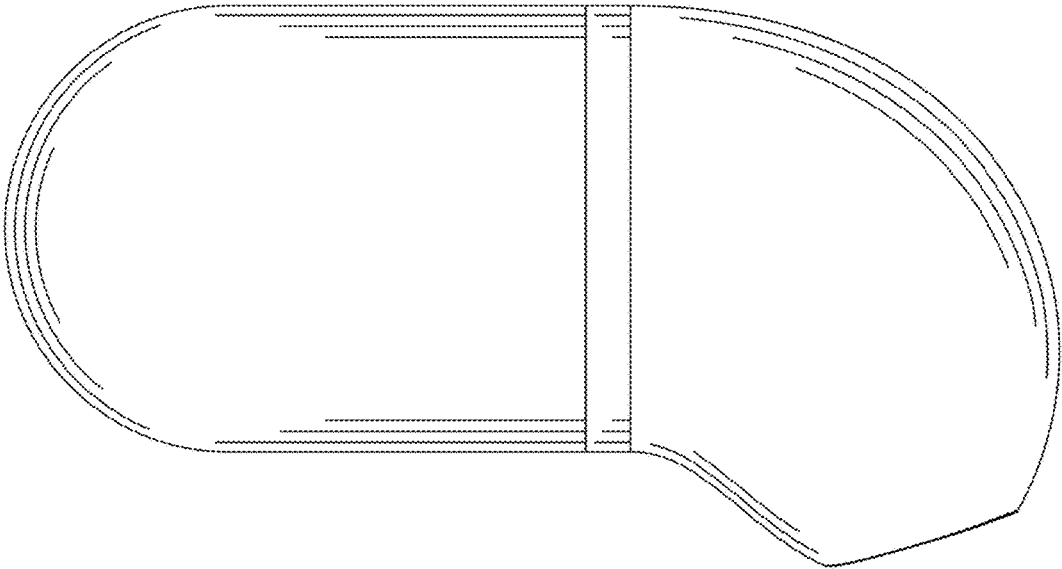


FIG. 5

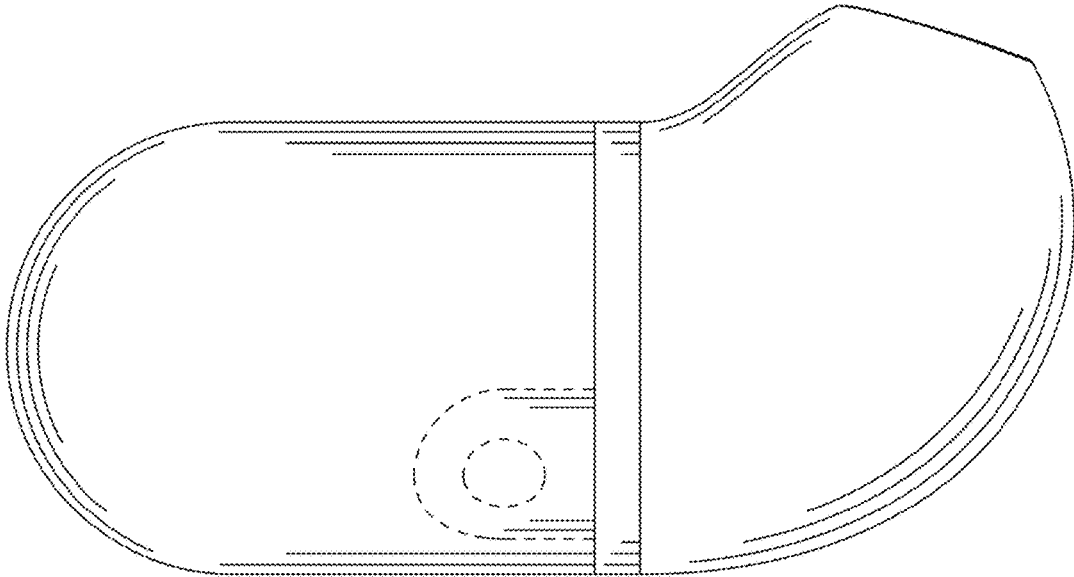


FIG. 6

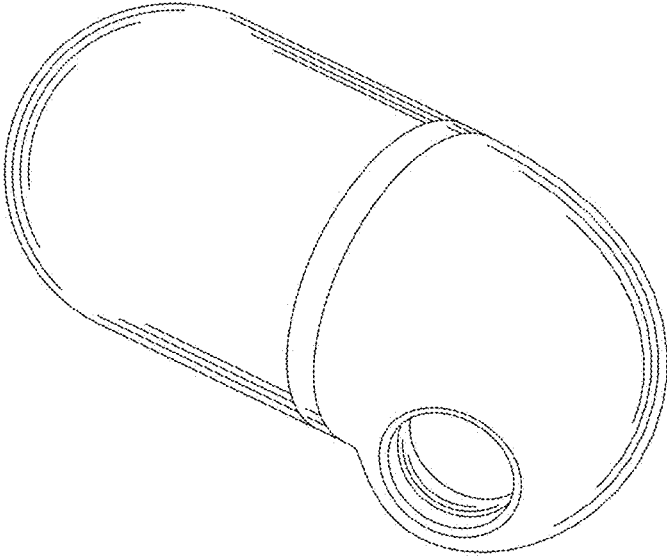


FIG. 7