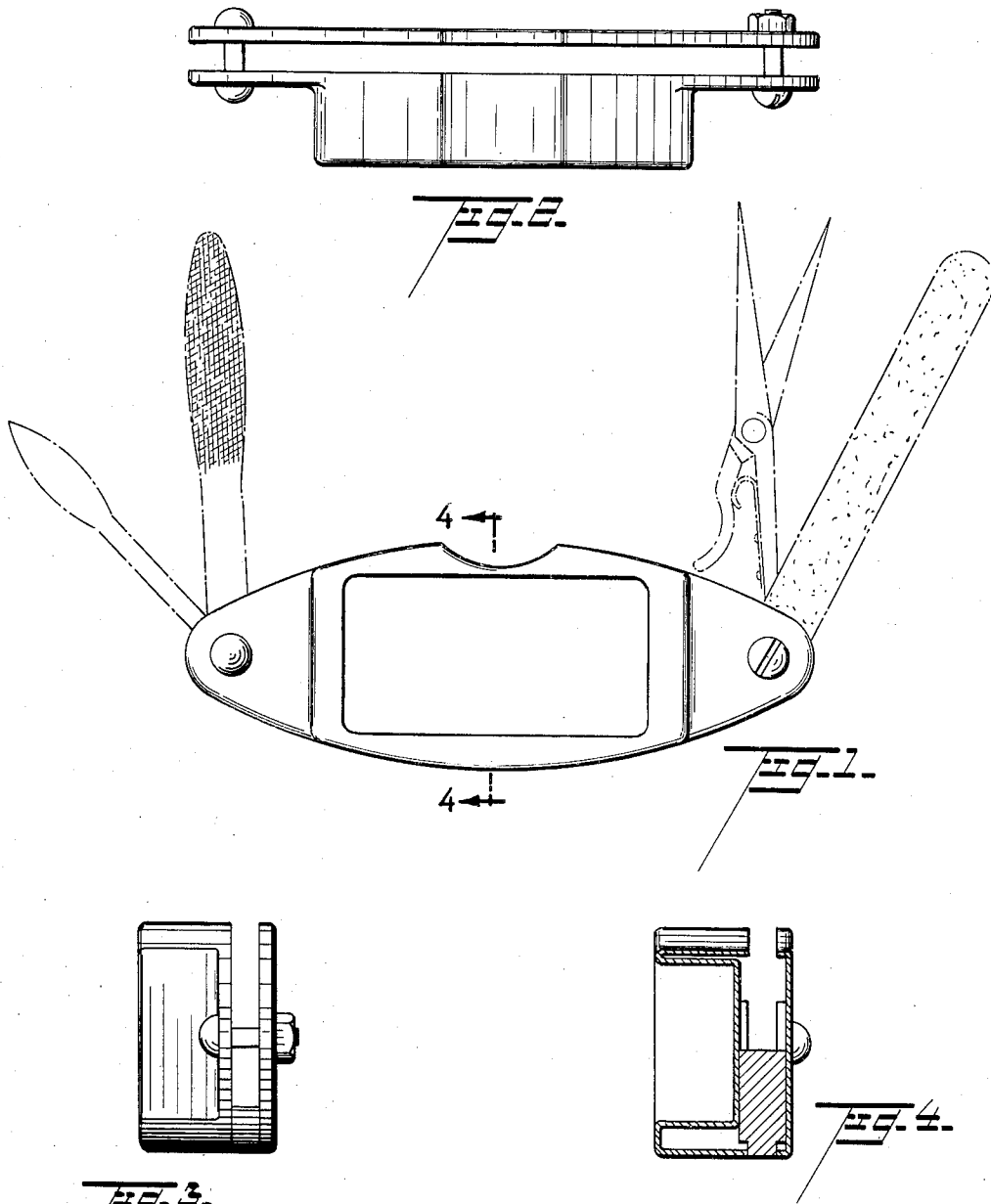


April 18, 1939.

E. BOCCHINO  
MANICURING DEVICE

Des. 114,390

Filed June 20, 1938



INVENTOR,  
ERNEST BOCCHINO.

BY *Warren E. Willis.*  
ATTORNEY.

# UNITED STATES PATENT OFFICE

114,390

DESIGN FOR A MANICURING DEVICE

Ernest Bocchino, Clifton, N. J.

Application June 20, 1938, Serial No. 77,943

Term of patent 7 years

*To all whom it may concern:*

Be it known that I, Ernest Bocchino, a citizen of the United States, residing at Clifton, in the county of Passaic and State of New Jersey, have invented a new, original, and ornamental Design for a Manicuring Device, of which the following is a specification, reference being had to the accompanying drawing, forming part thereof, and in which:

Figure 1 is a side elevational view of a manicuring device, showing my new design;

Figure 2 is a top plan view of the handle thereof;

Figure 3 is an end elevational view of the same; and

Figure 4 is a transverse sectional view of the handle looking on line 4—4 of Figure 1.

The dominant feature of my design resides in the portions shown in full lines.

I claim:

The ornamental design for a manicuring device, as shown and described.

ERNEST BOCCHINO.