



US0D1007933S

(12) **United States Design Patent**  
**Veloz**

(10) **Patent No.:** **US D1,007,933 S**

(45) **Date of Patent:** **\*\* Dec. 19, 2023**

- (54) **BEVERAGE DISPENSER**
- (71) Applicant: **Automatic Bar Controls, Inc.**,  
Vacaville, CA (US)
- (72) Inventor: **Silas Veloz**, Vacaville, CA (US)
- (73) Assignee: **Automatic Bar Controls, Inc.**,  
Vacaville, CA (US)
- (\*\*) Term: **15 Years**

D776,971 S \* 1/2017 Crowell ..... D7/307  
 D779,635 S 2/2017 Kuran et al.  
 D779,638 S \* 2/2017 Kuran ..... D23/253  
 D786,404 S 5/2017 Kaule et al.  
 D802,720 S 11/2017 Haug et al.  
 (Continued)

- (21) Appl. No.: **29/888,165**
- (22) Filed: **Mar. 28, 2023**

**Related U.S. Application Data**

- (62) Division of application No. 29/741,631, filed on Jul. 14, 2020, now Pat. No. Des. 982,370.
- (51) **LOC (14) Cl.** ..... **07-04**
- (52) **U.S. Cl.**  
USPC ..... **D7/313; D7/311; D23/241; D23/243; D23/245; D23/248**
- (58) **Field of Classification Search**  
USPC ..... D7/213, 300, 302, 311-313, 397, 398, D7/415; D8/358, 359; D23/223, 226, D23/238, 241, 243, 245, 253, 255, 266  
CPC ..... B67D 1/0084; B67D 1/0086; B67D 1/06; B67D 1/08; B67D 1/0889; E03C 1/0404; E03C 1/0405; E03C 2001/0415  
See application file for complete search history.

(56) **References Cited**

**U.S. PATENT DOCUMENTS**

5,093,942 A 3/1992 Lang  
 5,390,695 A \* 2/1995 Howard ..... B65H 75/4471  
 137/355.27  
 D365,491 S 12/1995 Hui  
 D479,309 S 9/2003 Haug et al.  
 D520,114 S 5/2006 Starck  
 D735,298 S 7/2015 Eads

**FOREIGN PATENT DOCUMENTS**

CN 301959769 6/2012  
 SG 30201602342P-0001 \* 4/2016

**OTHER PUBLICATIONS**

Cnuorn, "360° Rotatable Outdoor Faucet," Mar. 21, 2017, Amazon.com, www.amazon.com/Rotatable-Bathroom-Flexible-Application-Churun/dp/B06XRQ1DH ??th= 1 (Year: 2017).

(Continued)

*Primary Examiner* — Joseph Kukella  
*Assistant Examiner* — Arva P Adams  
 (74) *Attorney, Agent, or Firm* — Kilpatrick Townsend & Stockton LLP

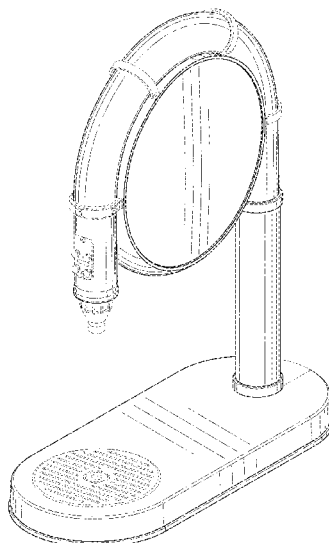
(57) **CLAIM**

The ornamental design for a beverage dispenser, as shown and described.

**DESCRIPTION**

FIG. 1 is a perspective view of a beverage dispenser, showing my new design;  
 FIG. 2 is a second perspective view thereof;  
 FIG. 3 is a front view thereof;  
 FIG. 4 is a rear view thereof;  
 FIG. 5 is a right view thereof;  
 FIG. 6 is a left view thereof;  
 FIG. 7 is a top view thereof; and,  
 FIG. 8 is a bottom view thereof.  
 The broken lines show portions of the beverage dispenser that form no part of the claimed design.

**1 Claim, 8 Drawing Sheets**



(56)

**References Cited**

U.S. PATENT DOCUMENTS

D863,506 S	10/2019	Hayner et al.
D865,122 S	10/2019	Eads
10,654,703 B2	5/2020	Hecht et al.
D982,370 S	4/2023	Veloz
2018/0030700 A1	2/2018	Zindler et al.

OTHER PUBLICATIONS

Decorative Plumbing Supply, "@waterstoneusa Endeavor Wheel Pulldown Faucet AKA The Hot Rod," Sep. 27, 2019, Facebook, [www.facebook.com/decorativeplumbingsupply/photos/a.10153983956407779/10157150254347779/](https://www.facebook.com/decorativeplumbingsupply/photos/a.10153983956407779/10157150254347779/) (Year: 2019).

Notice of Allowance dated Jan. 25, 2023 in related U.S. Appl. No. 29/741,631, filed Jul. 14, 2020 (nine pages).

\* cited by examiner

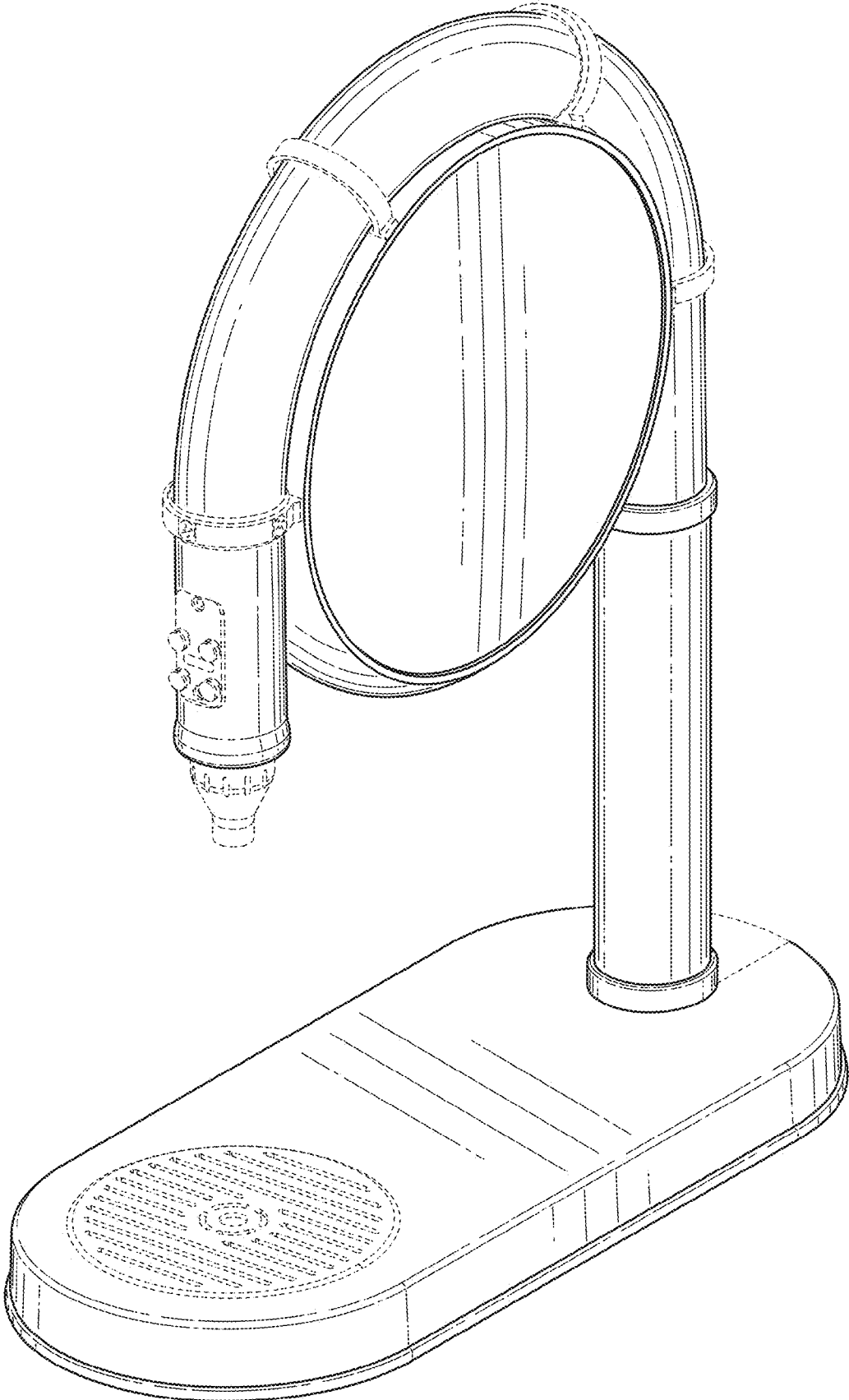


FIG. 1

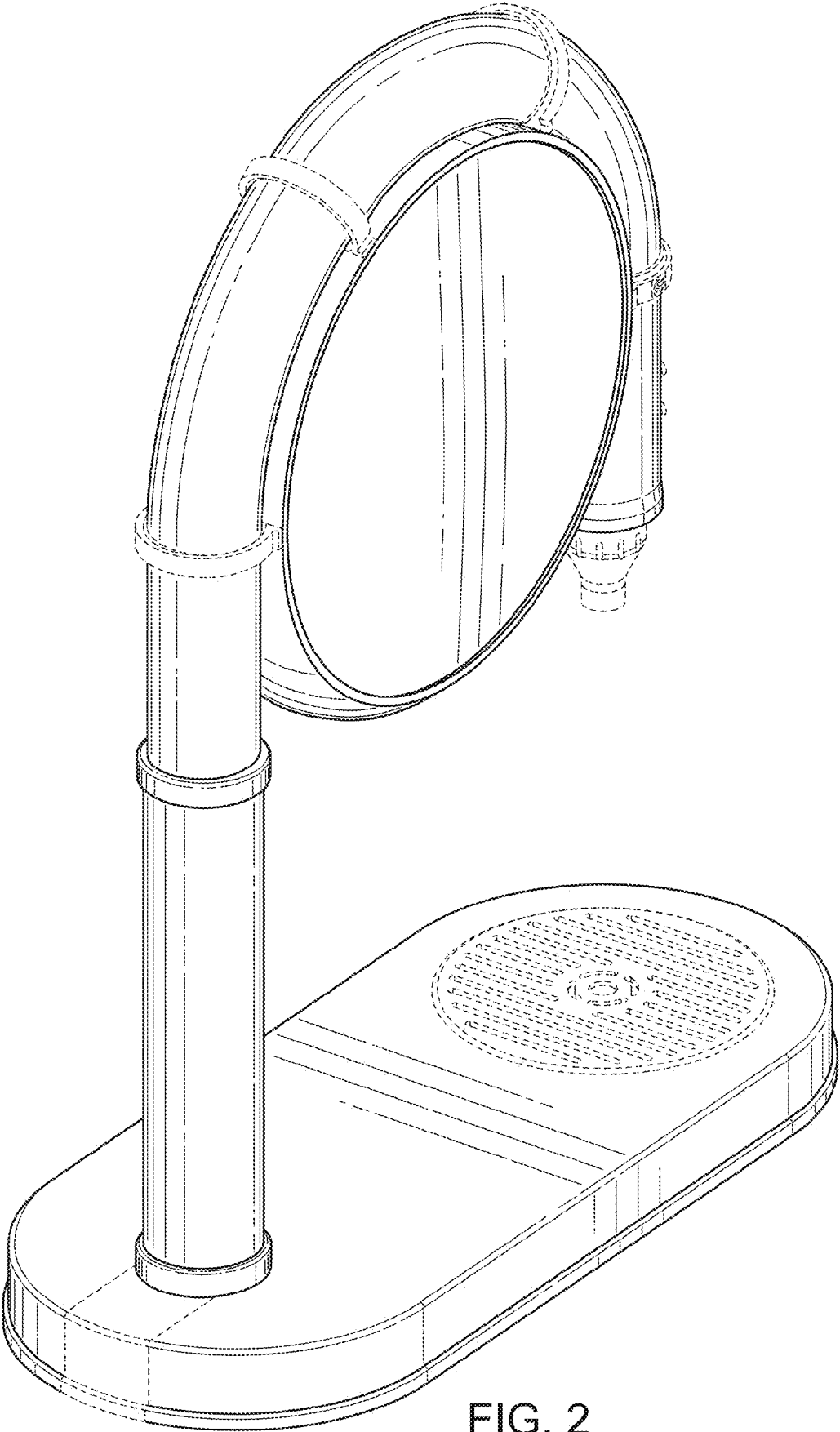


FIG. 2

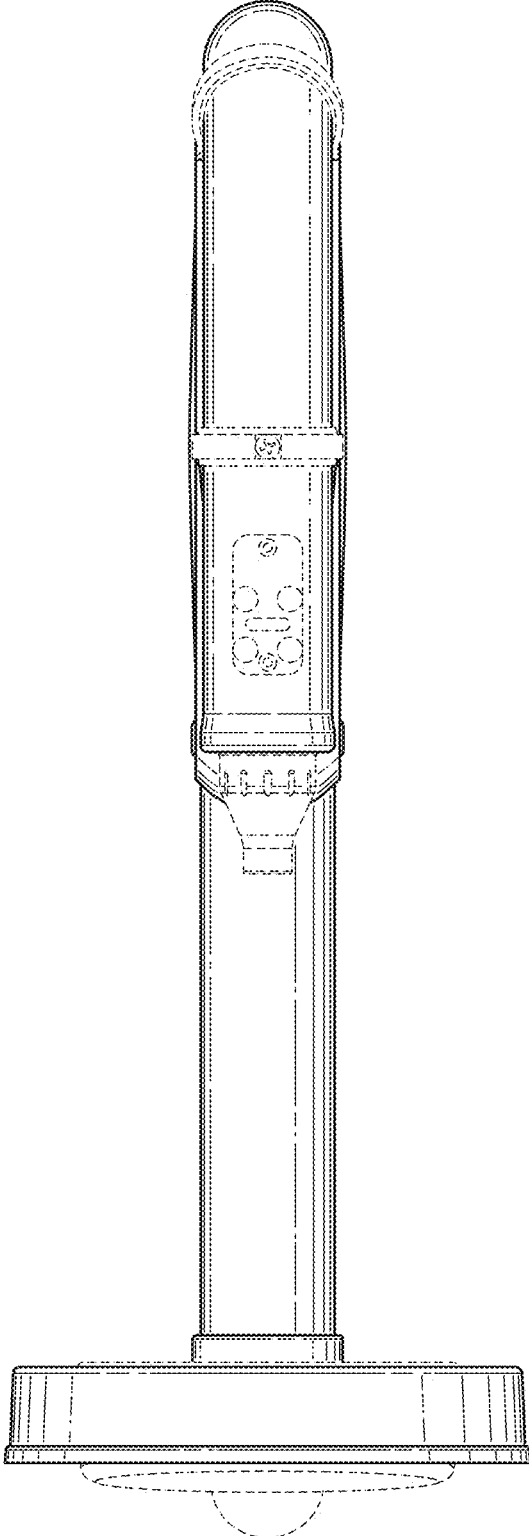


FIG. 3

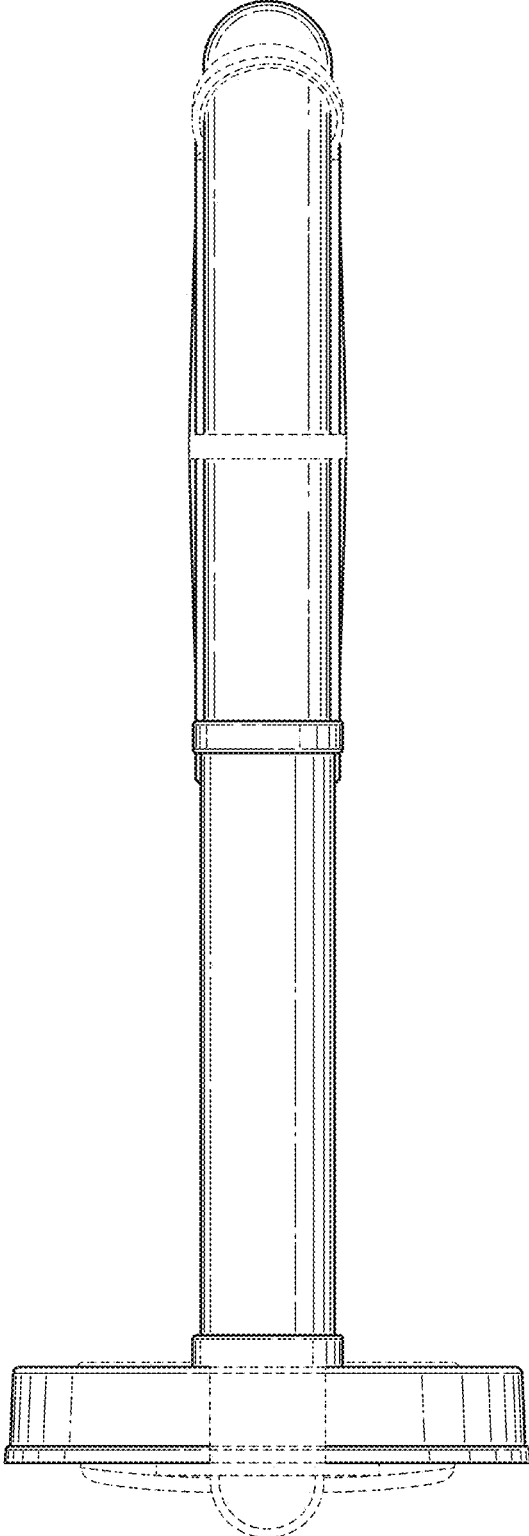


FIG. 4

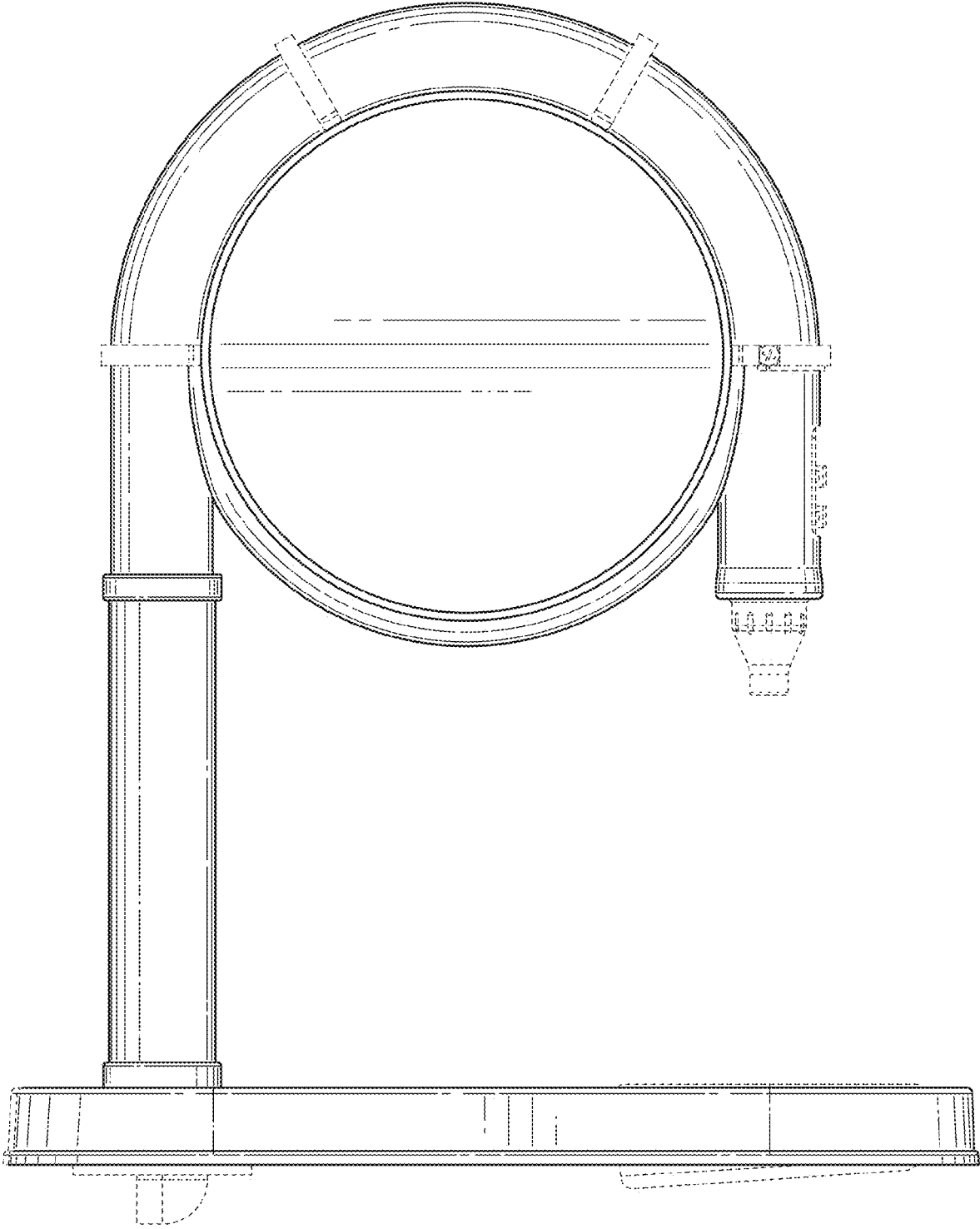


FIG. 5

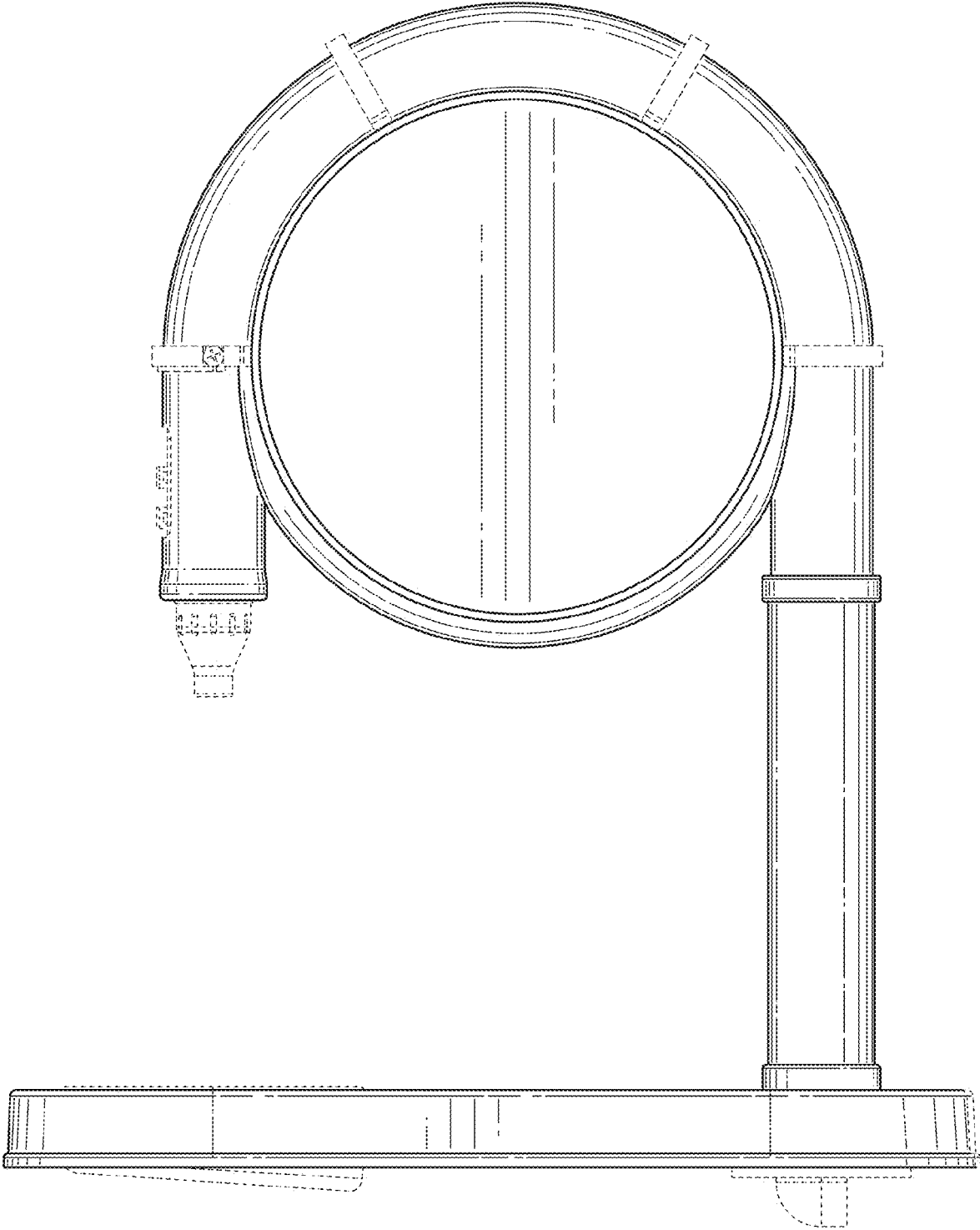


FIG. 6



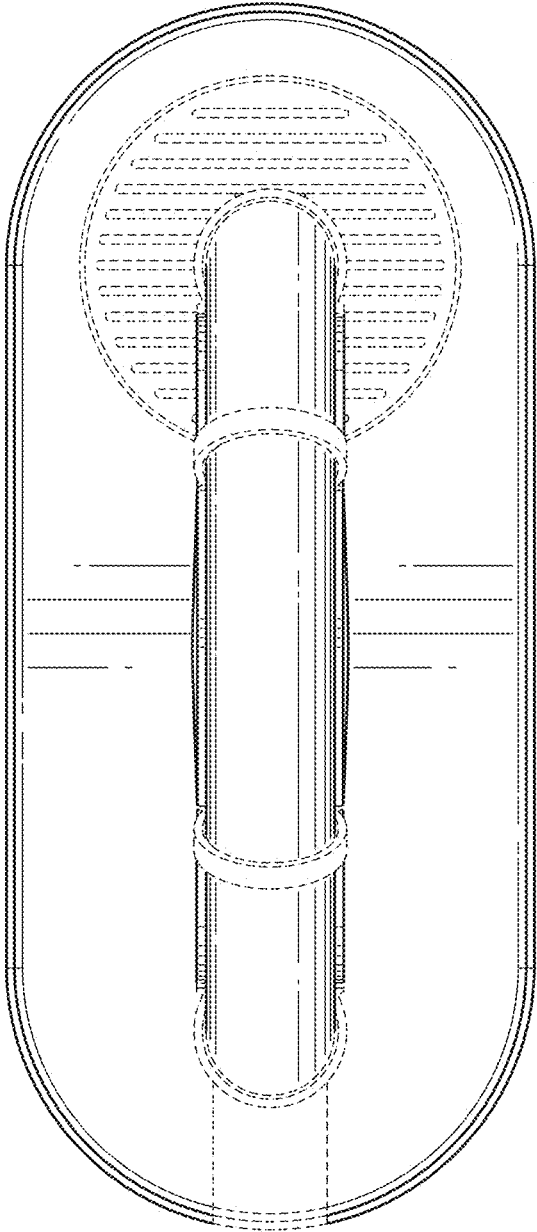


FIG. 7

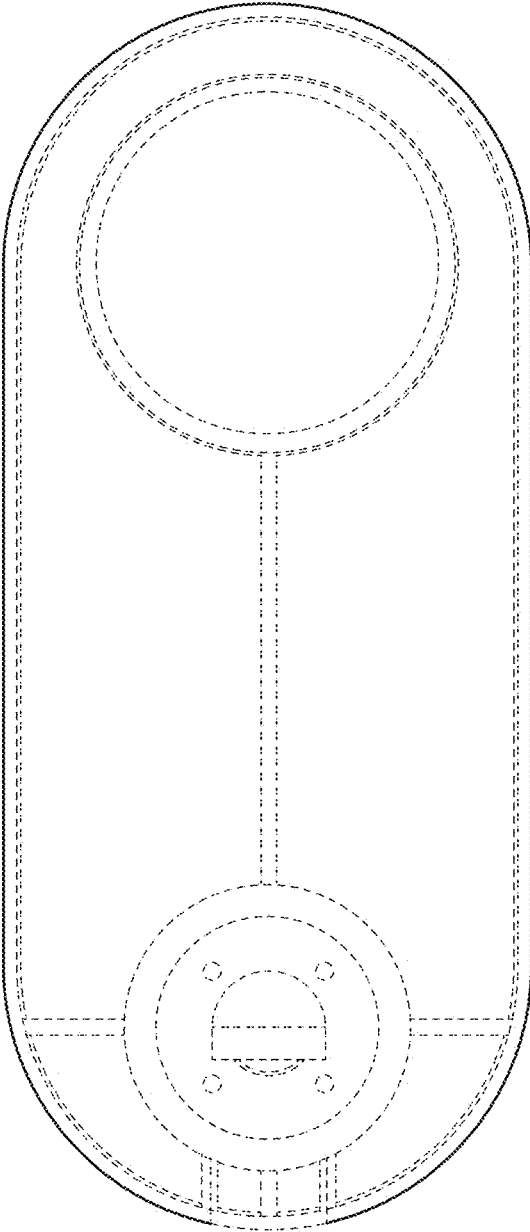


FIG. 8