



US00D866338S

(12) **United States Design Patent** (10) **Patent No.:** **US D866,338 S**
Eisen (45) **Date of Patent:** **** Nov. 12, 2019**

(54) **BOTTLE**
(71) Applicant: **MONTBLANC SIMPLO GMBH**,
Hamburg (DE)
(72) Inventor: **Mark Eisen**, Ebene (MU)
(73) Assignee: **MONTBLANC SIMPLO GMBH**,
Hambourg (DE)
(**) Term: **15 Years**
(21) Appl. No.: **35/505,720**
(22) Filed: **Sep. 3, 2018**

D509,748 S *	9/2005	Carmichael	D9/556
D516,911 S *	3/2006	Bloom	D9/453
D539,664 S *	4/2007	Janky	D7/529
D542,136 S *	5/2007	Lilico	D9/520
D564,884 S *	3/2008	Rittman	D9/452
D586,186 S *	2/2009	Bhavnani	D7/605
D595,578 S *	7/2009	Del Tedesco Zamberlan	D28/76
D596,036 S *	7/2009	Yamamoto	D9/529
D631,169 S *	1/2011	Cheeley	D24/224
D749,419 S *	2/2016	Grossman	D9/500
D756,784 S *	5/2016	Fine	D9/500
D767,998 S *	10/2016	Peacock	D9/538
D769,043 S *	10/2016	Gamelli	D7/300.1
D799,970 S *	10/2017	Steel	D9/529

* cited by examiner

Primary Examiner — Rhea Shields
(74) *Attorney, Agent, or Firm* — Stephen J. Weyer, Esq.;
Stites & Harbison, PLLC

(80) **Hague Agreement Data**
Int. Filing Date: **Sep. 3, 2018**
Int. Reg. No.: **DM/102874**
Int. Reg. Date: **Sep. 3, 2018**
Int. Reg. Pub. Date: **Sep. 28, 2018**

(57) **CLAIM**
The ornamental design for a bottle, as shown and described.

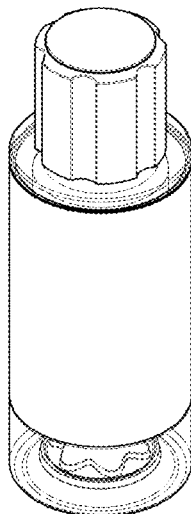
(51) **LOC (12) Cl.** **09-01**
(52) **U.S. Cl.**
USPC **D9/550**
(58) **Field of Classification Search**
USPC D9/550, 529, 538, 500, 452, 520, 453,
D9/505; D28/76; D7/300.1, 605, 529,
D7/635; D24/224
CPC B65D 33/00; B65D 75/5872
See application file for complete search history.

DESCRIPTION

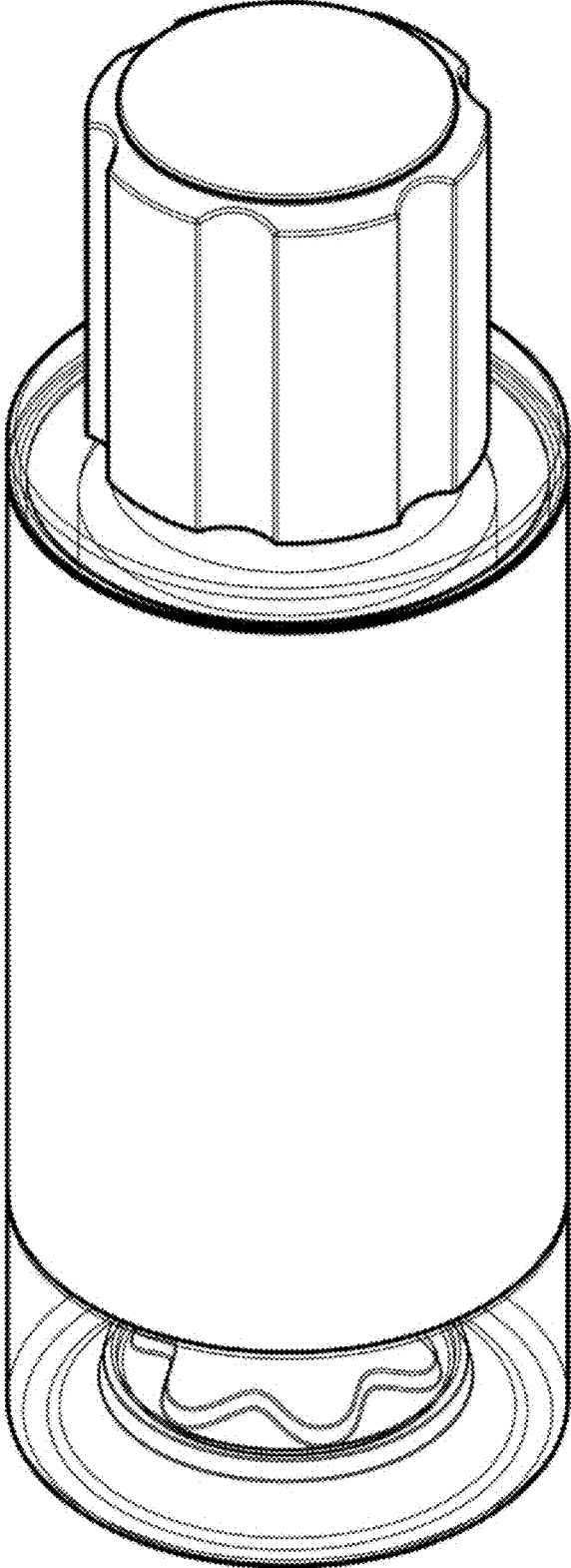
- 1.-2. Bottle
- 1.1 : Perspective
- 1.2 : Front
- 1.3 : Back
- 1.4 : Left
- 1.5 : Right
- 1.6 : Top
- 1.7 : Bottom
- 2.1 : Perspective
- 2.2 : Front
- 2.3 : Back
- 2.4 : Left
- 2.5 : Right
- 2.6 : Top
- 2.7 : Bottom

(56) **References Cited**
U.S. PATENT DOCUMENTS
D93,650 S * 10/1934 Fleisch D8/DIG. 2
D101,623 S * 10/1936 Fleisch D8/DIG. 2
D111,794 S * 10/1938 Oswell D7/635
D259,768 S * 7/1981 Banasiak, Jr. D9/505
4,290,466 A * 9/1981 Villa B65D 75/5872
206/216

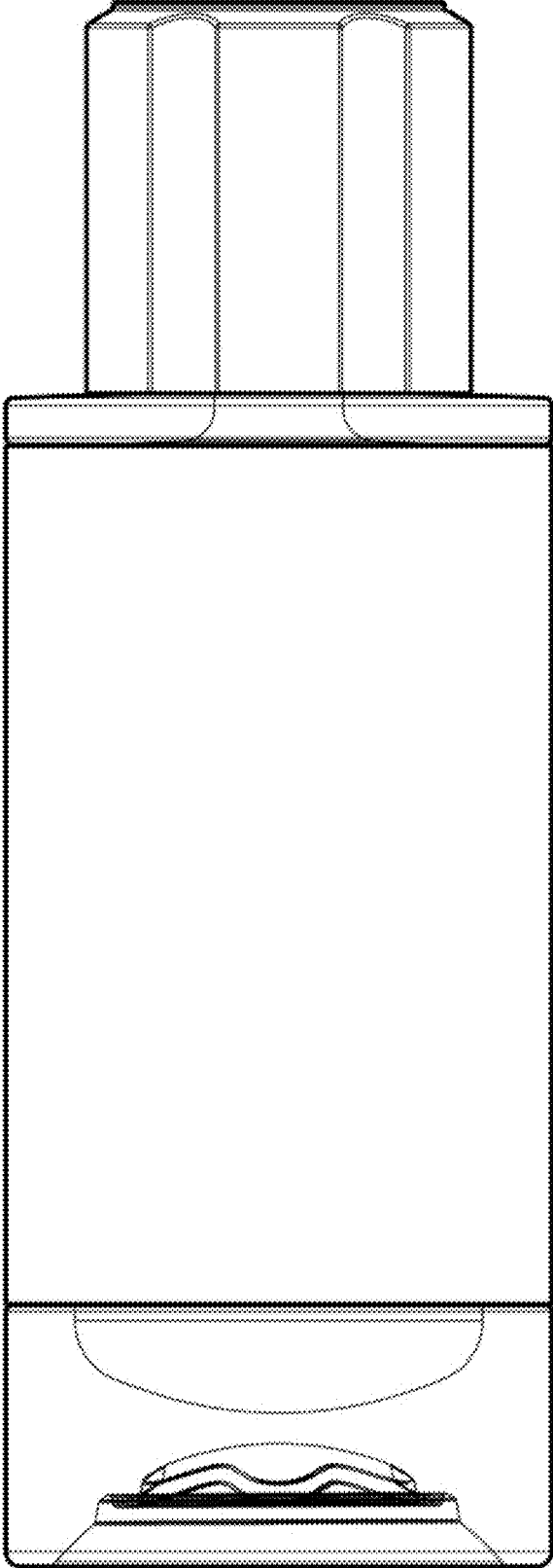
1 Claim, 14 Drawing Sheets



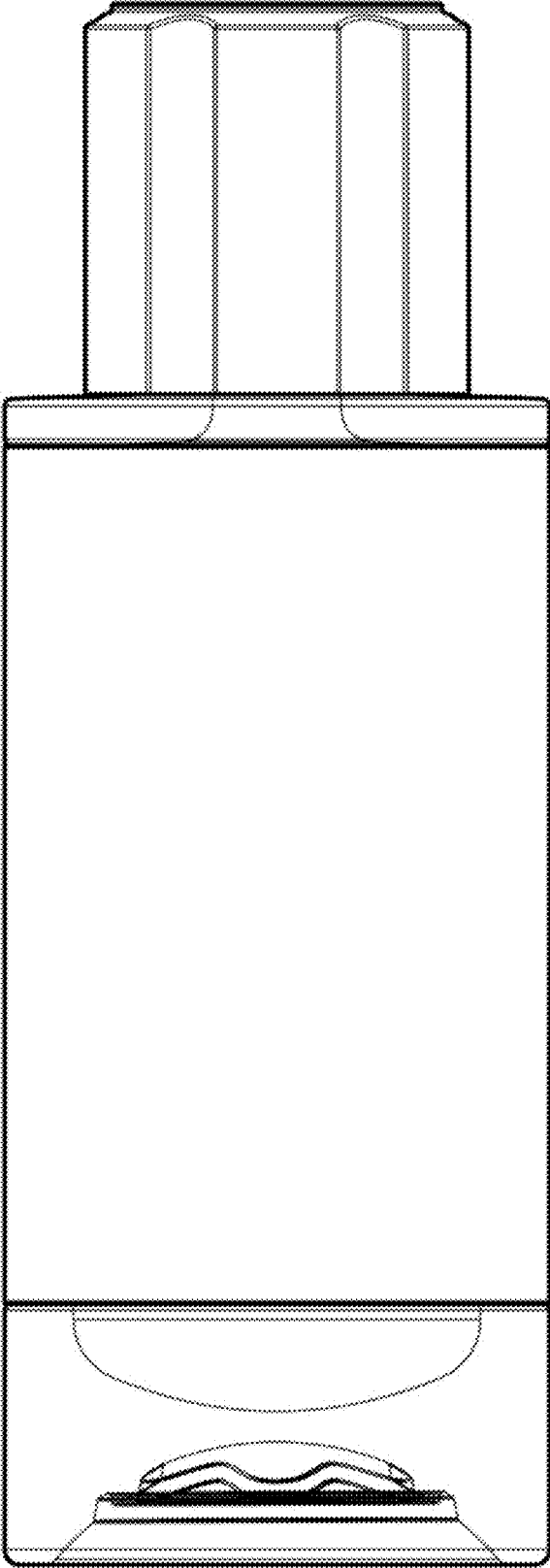
1.1



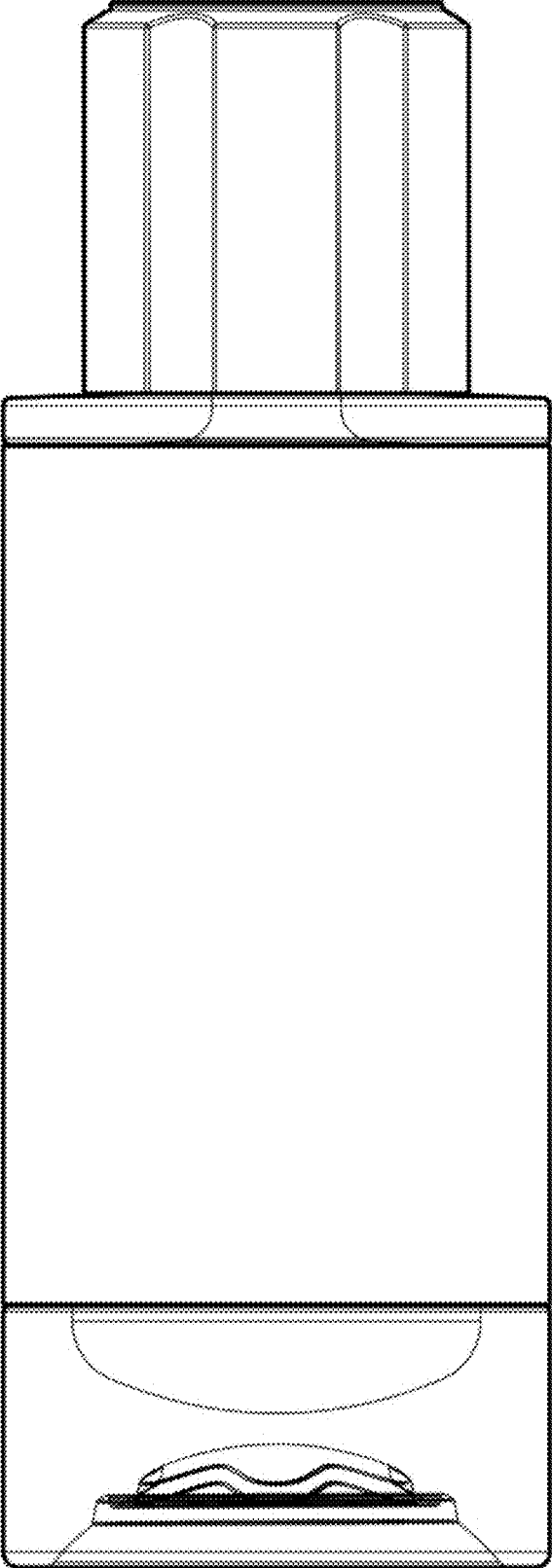
1.2



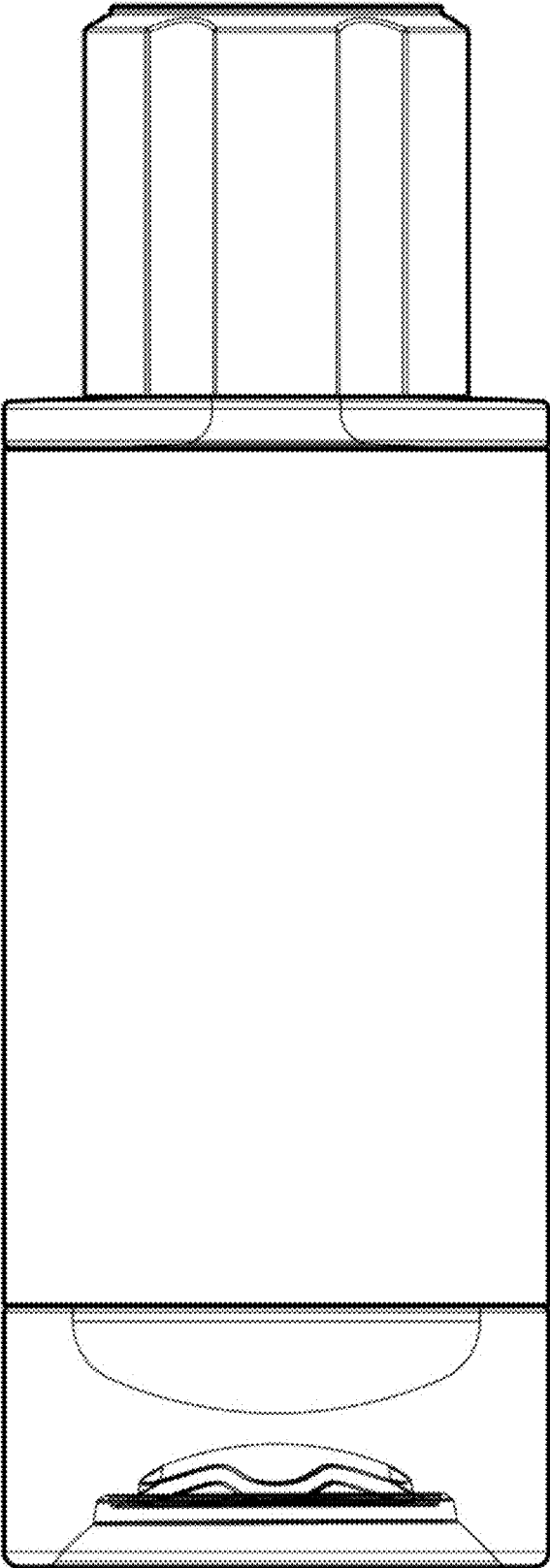
1.3



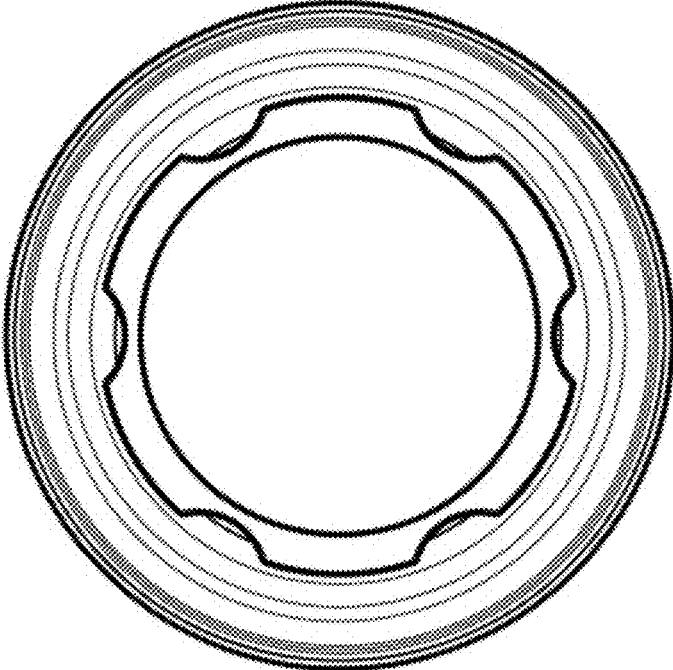
1.4



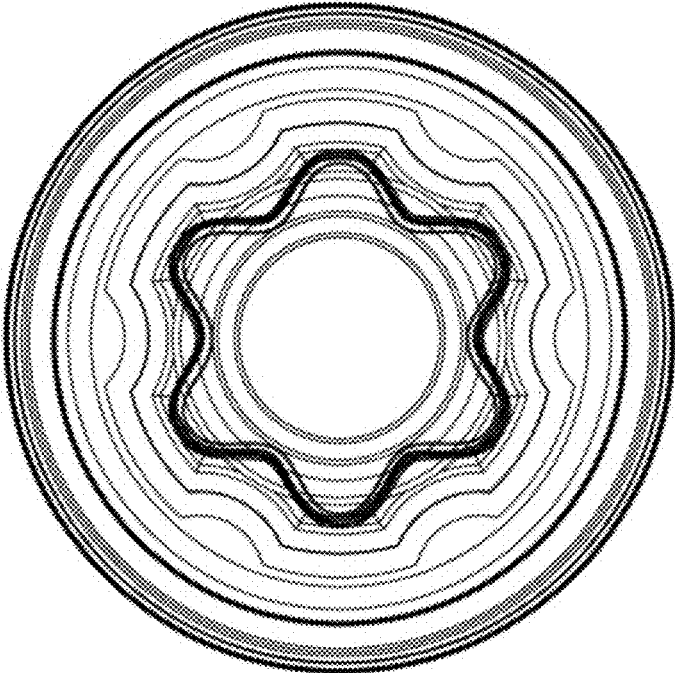
1.5



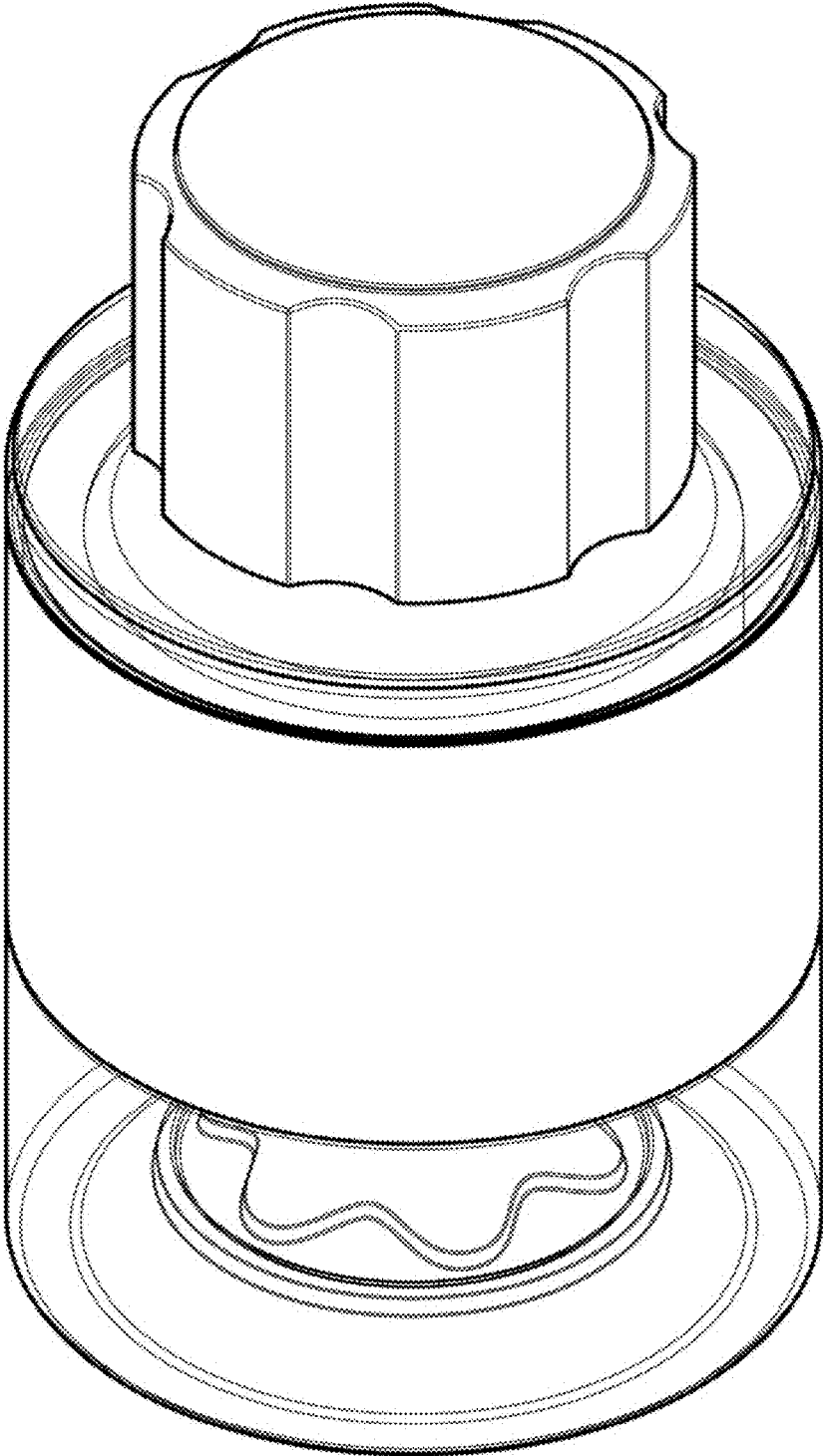
1.6



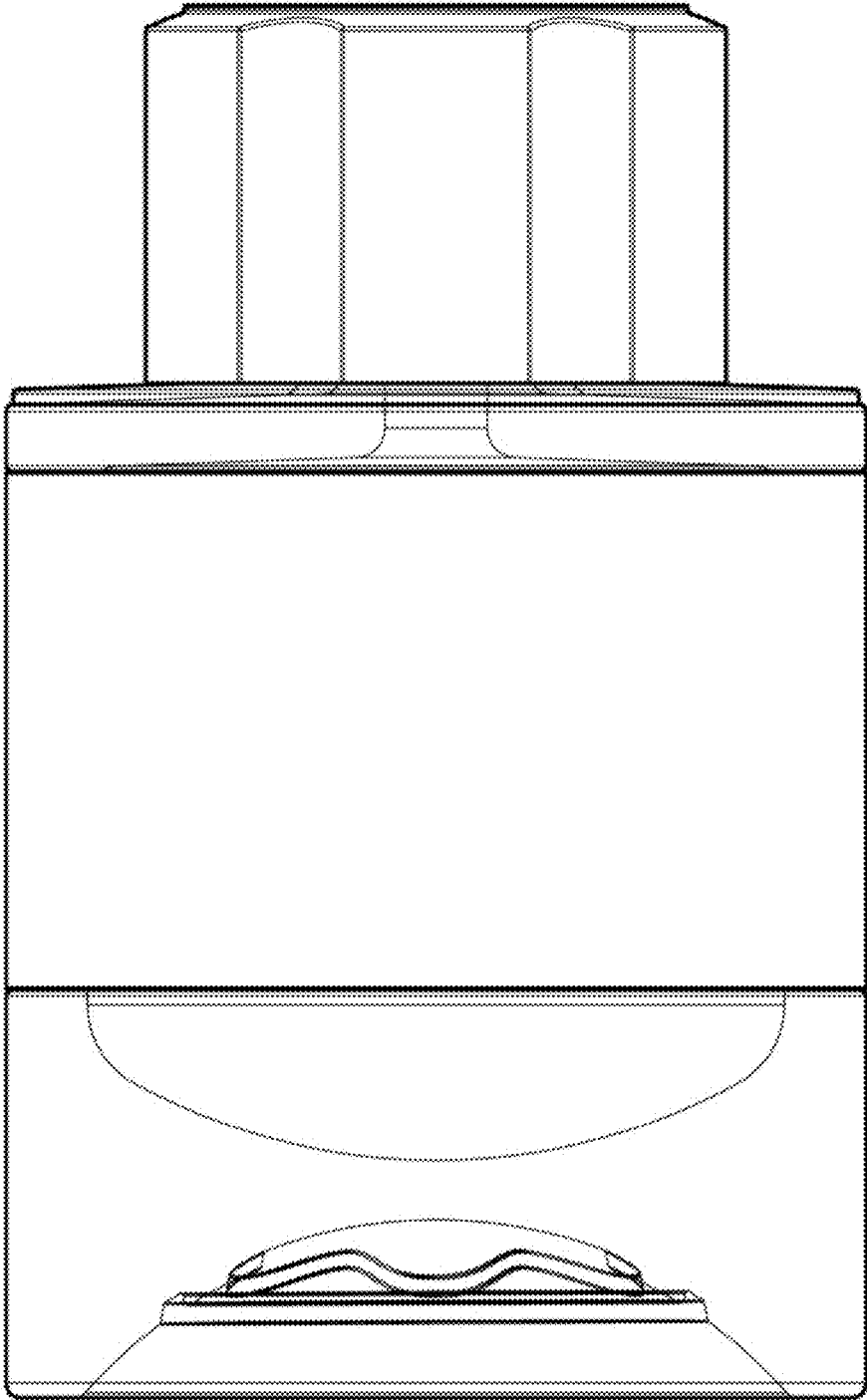
1.7



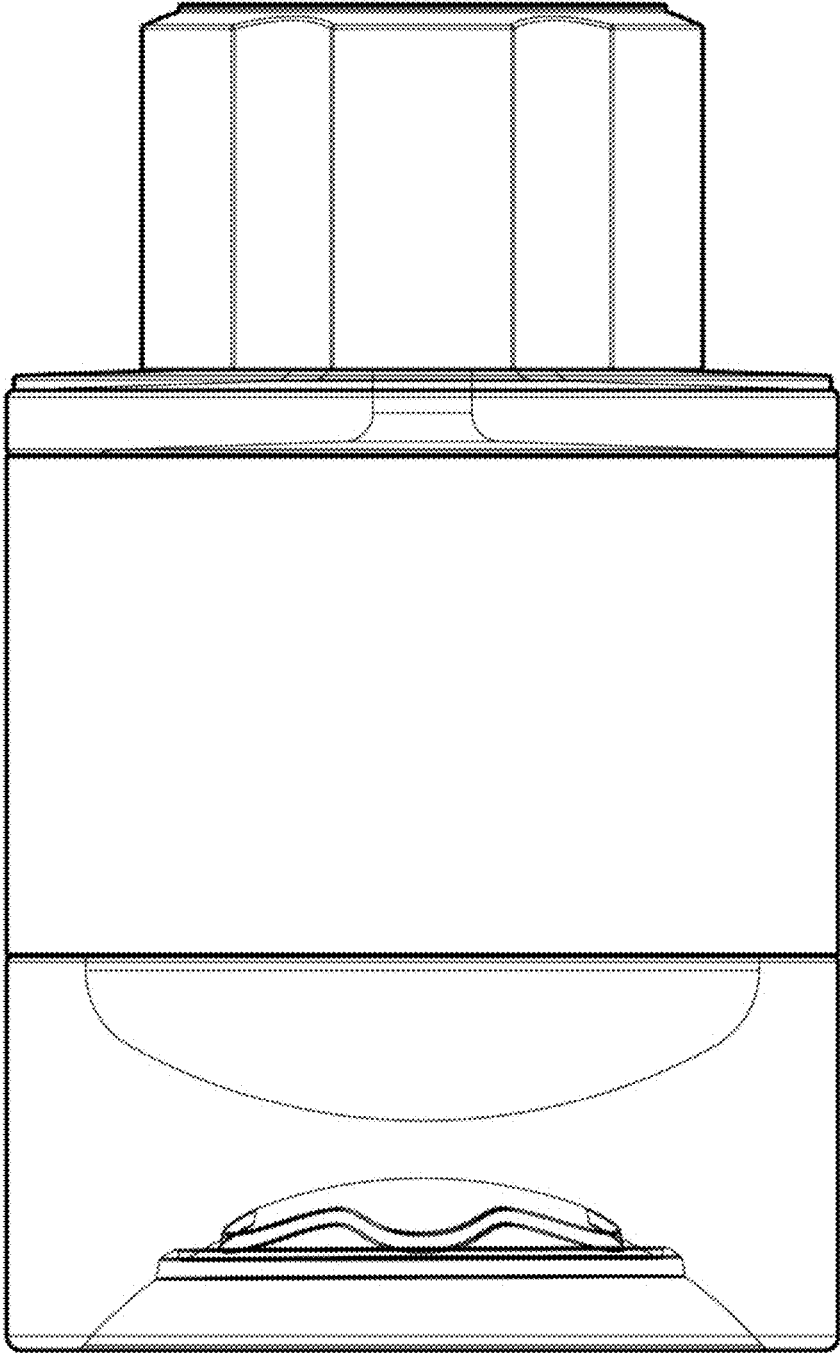
2.1



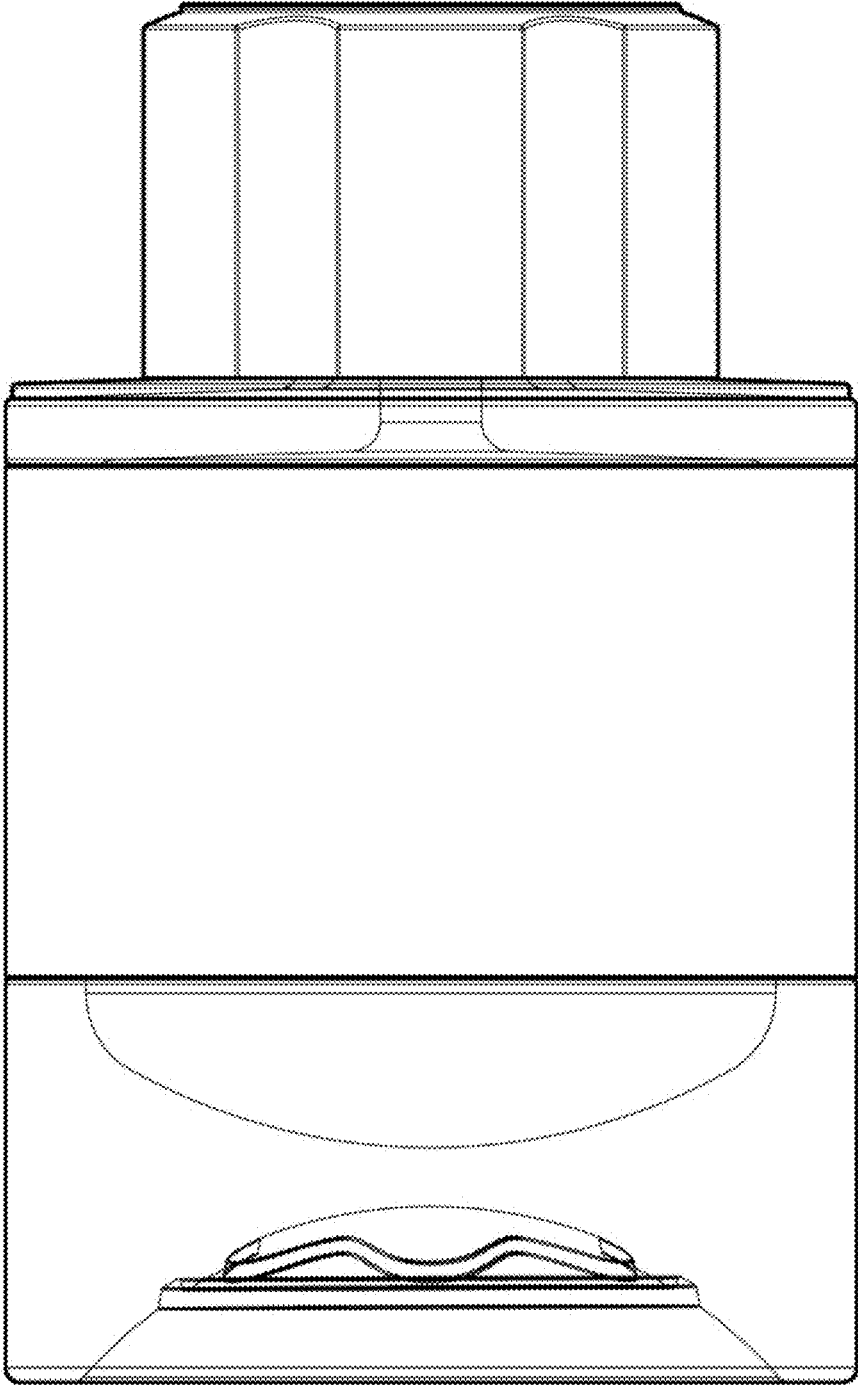
2.2



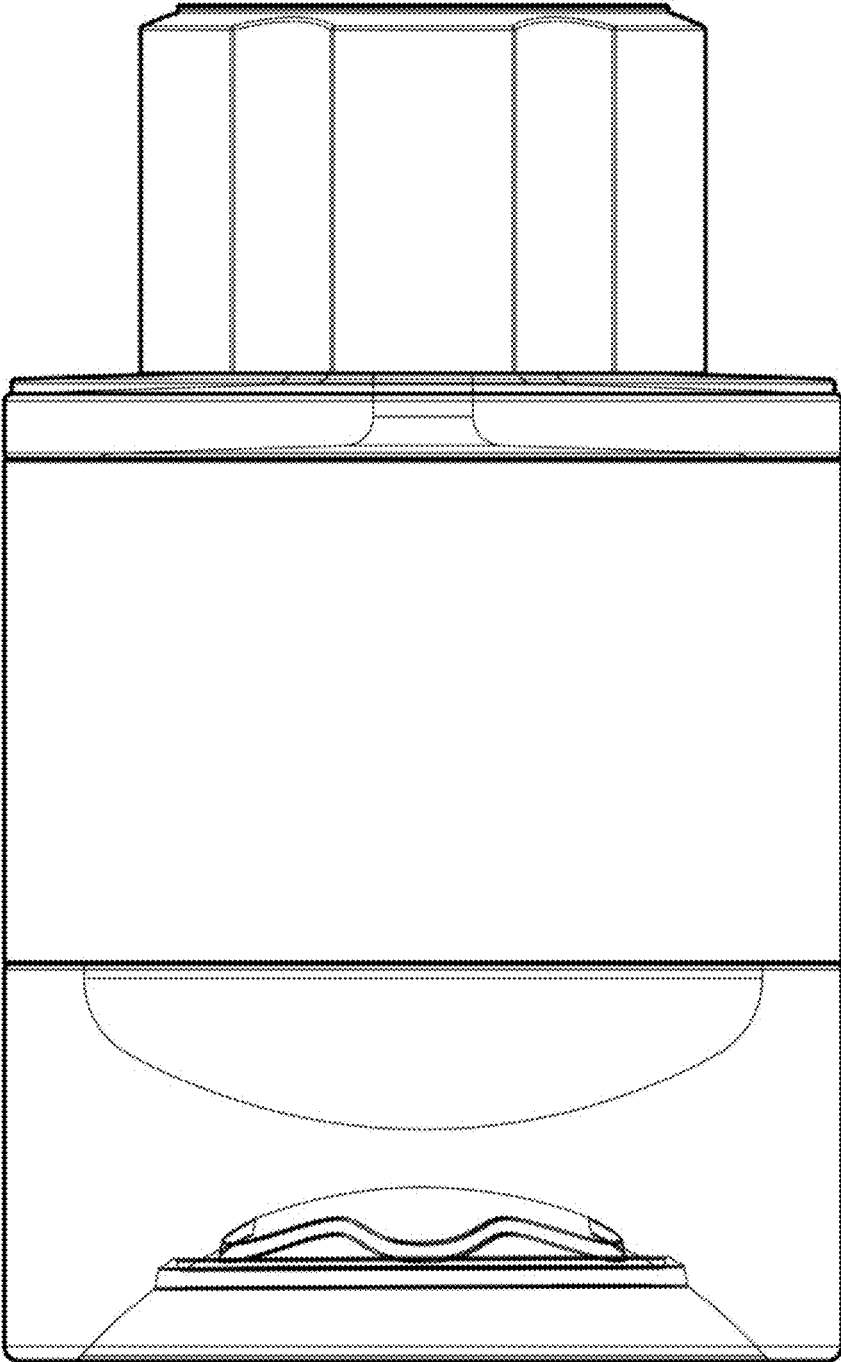
2.3



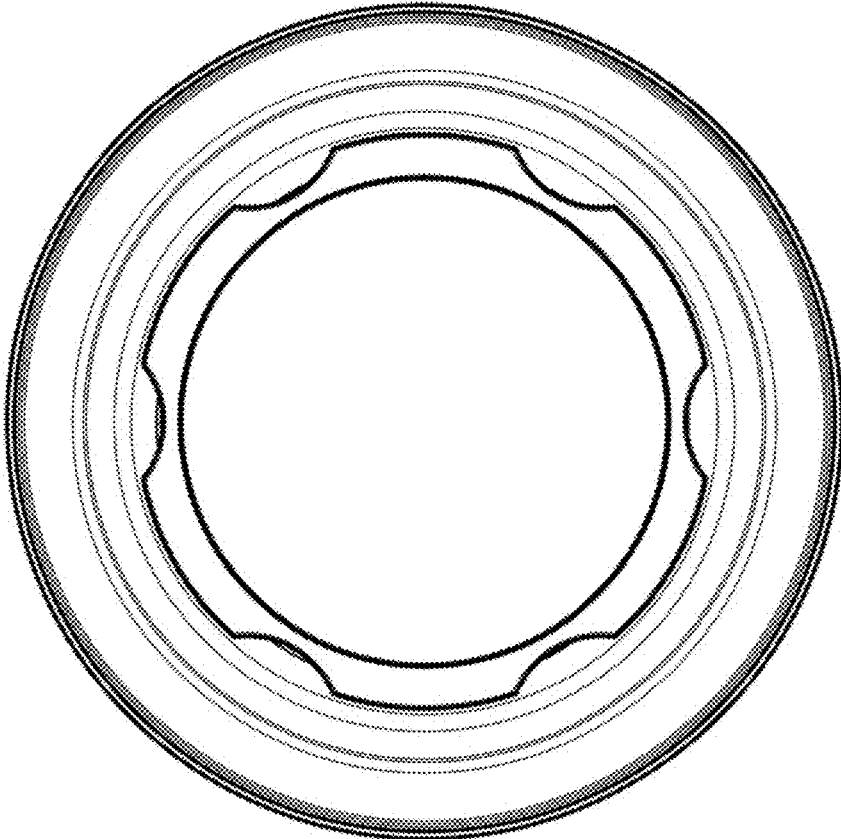
2.4



2.5



2.6



2.7

