



US00D926314S

(12) **United States Design Patent**
Hayamizu

(10) **Patent No.:** **US D926,314 S**

(45) **Date of Patent:** **** Jul. 27, 2021**

- (54) **ENDOSCOPE PROCESSOR**
- (71) Applicant: **HOYA CORPORATION**, Tokyo (JP)
- (72) Inventor: **Eiji Hayamizu**, Tokyo (JP)
- (73) Assignee: **HOYA CORPORATION**, Tokyo (JP)
- (**) Term: **15 Years**
- (21) Appl. No.: **29/703,839**
- (22) Filed: **Aug. 29, 2019**

D534,654 S *	1/2007	Hayamizu	D24/107
D564,094 S *	3/2008	Hayashi	D24/107
D564,661 S *	3/2008	Hayashi	D24/107
D641,081 S *	7/2011	Onuma	D24/138
D754,337 S *	4/2016	Hayamizu	D24/138

* cited by examiner

Primary Examiner — Eliza Z Bennett-Hattan
(74) *Attorney, Agent, or Firm* — Fitch, Even, Tabin & Flannery LLP

(30) **Foreign Application Priority Data**

Mar. 1, 2019 (JP) 2019-004280

(51) **LOC (13) Cl.** **24-02**

(52) **U.S. Cl.**
USPC **D24/138**

(58) **Field of Classification Search**
USPC D24/138, 137, 147, 144, 108, 113, 127,
D24/133; D14/203.1
CPC . G02B 23/2476; G02B 23/2484; G02B 23/16
See application file for complete search history.

(56) **References Cited**

U.S. PATENT DOCUMENTS

D412,977 S *	8/1999	Hayamizu	D24/107
D481,123 S *	10/2003	Hayamizu	D24/107

(57) **CLAIM**

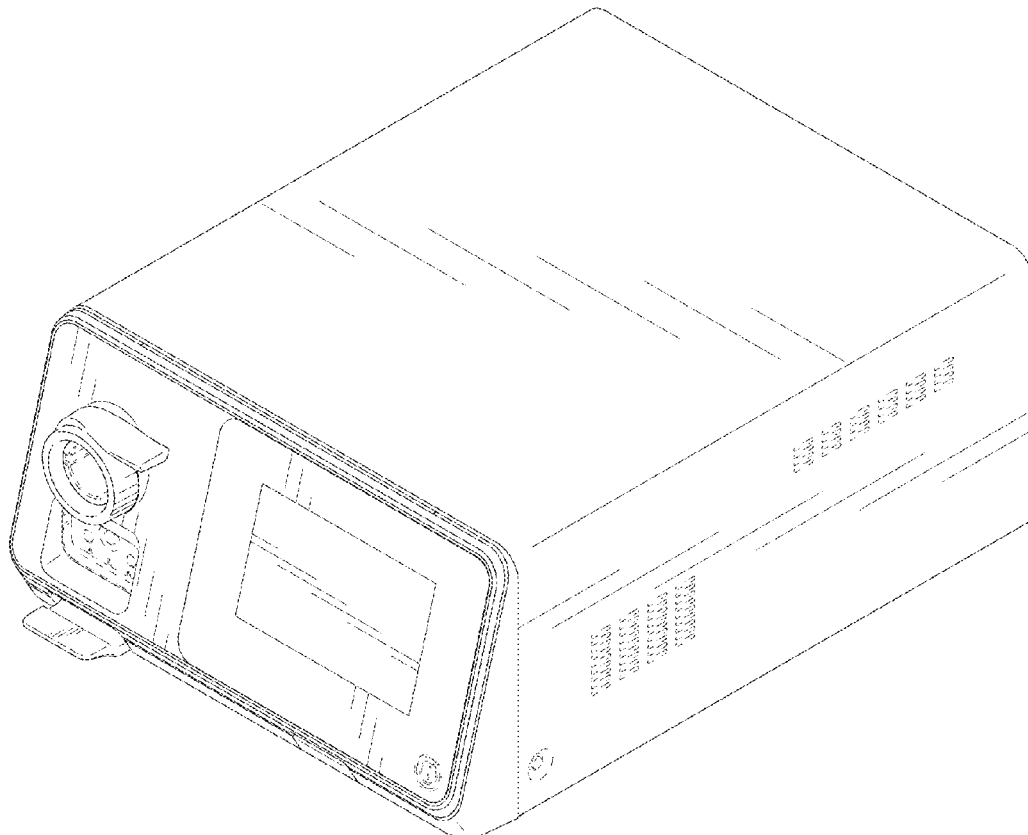
I claim the ornamental design for an endoscope processor, as shown and described.

DESCRIPTION

FIG. 1 is a front, top and right side perspective view of an endoscope processor, showing my new design; FIG. 2 is a front, top, and left side perspective view thereof; FIG. 3 is a front elevational view thereof; FIG. 4 is a top plan view thereof; FIG. 5 is a right side elevational view thereof; FIG. 6 is a left side elevational view thereof; FIG. 7 is a rear elevational view thereof; and, FIG. 8 is a bottom plan view thereof.

The broken lines illustrate portions of the endoscope processor and form no part of the claimed design.

1 Claim, 8 Drawing Sheets



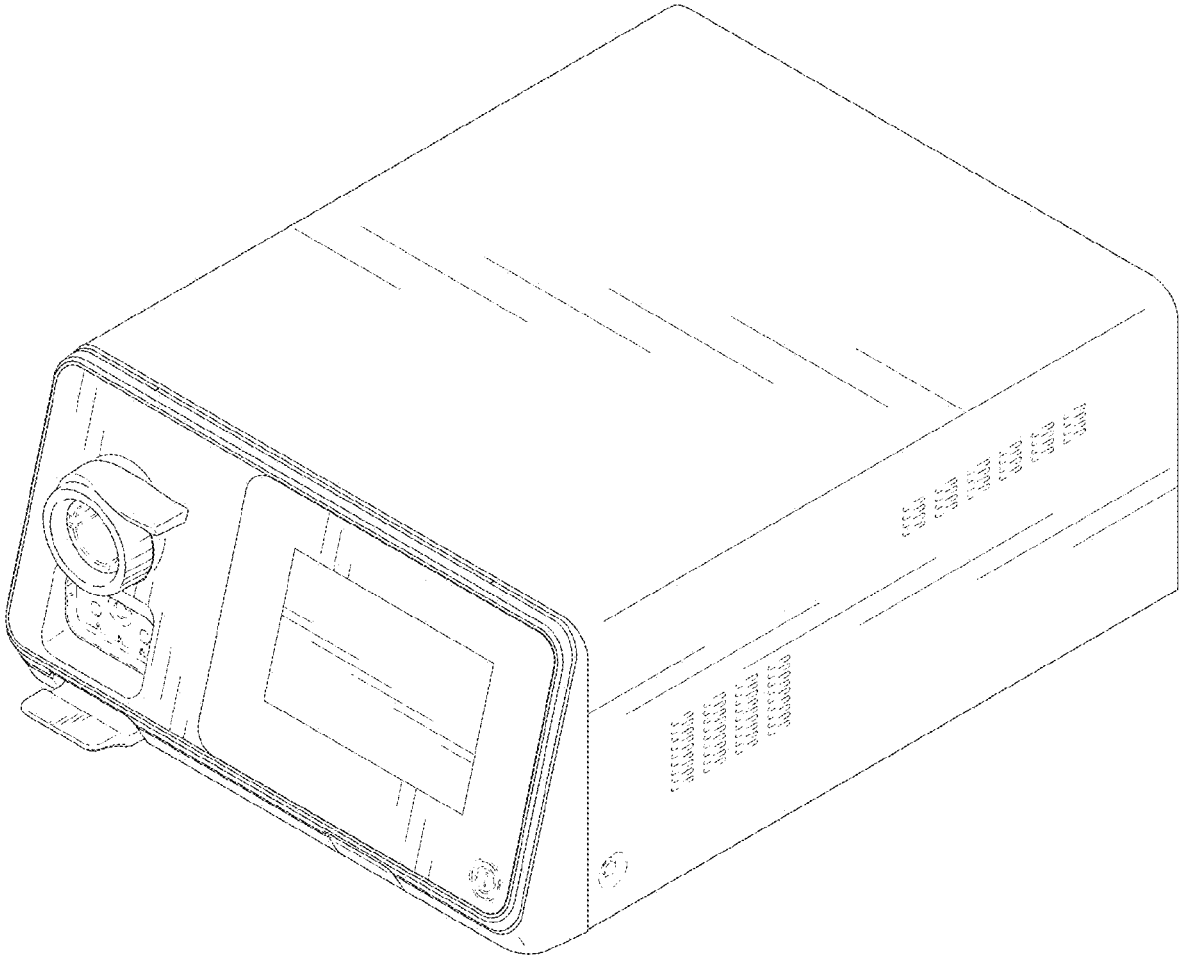


FIG. 1

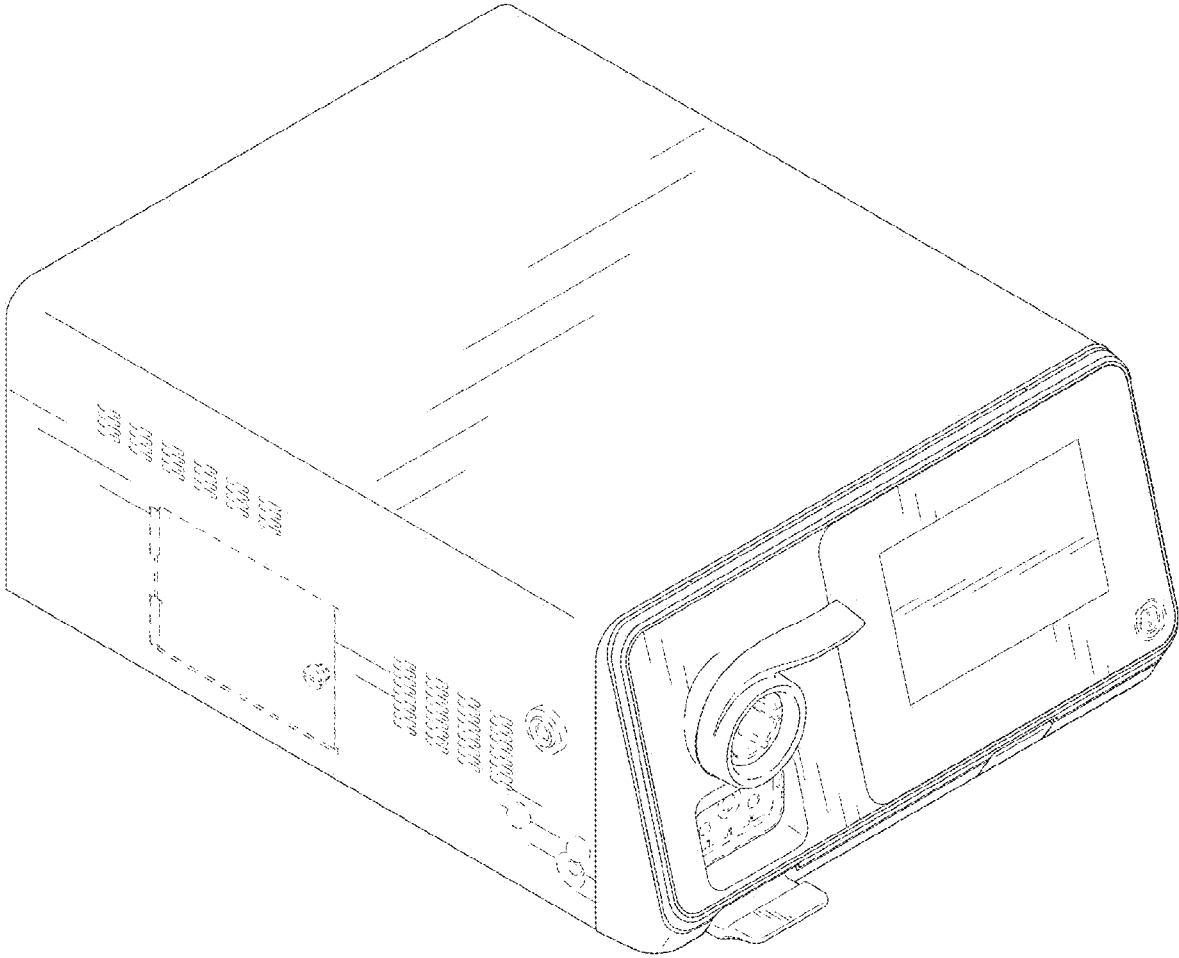


FIG. 2

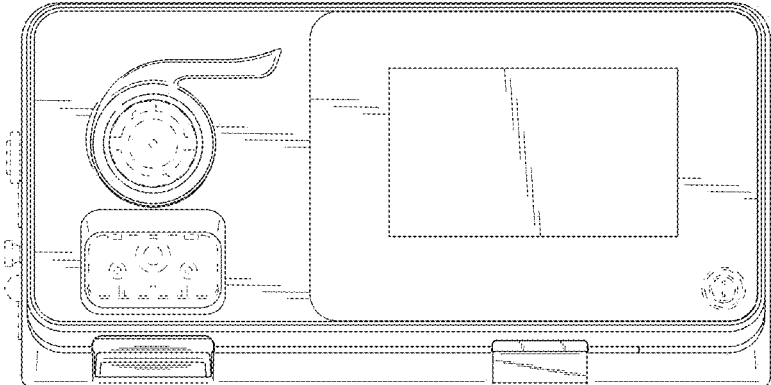


FIG. 3

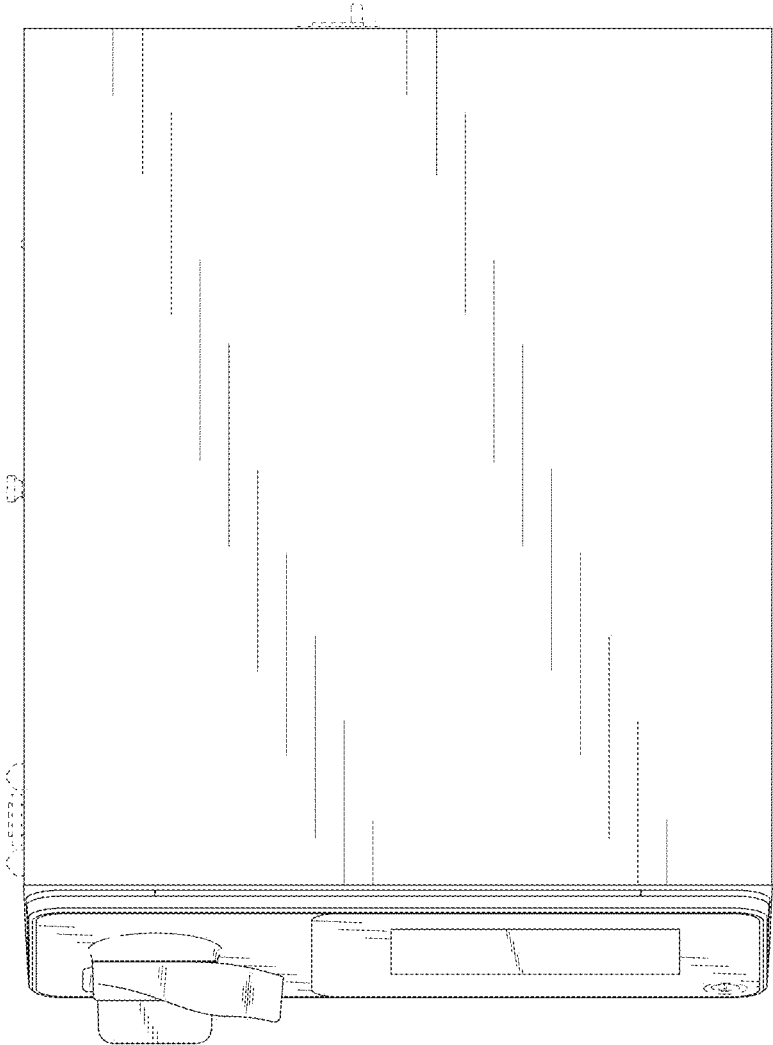


FIG. 4

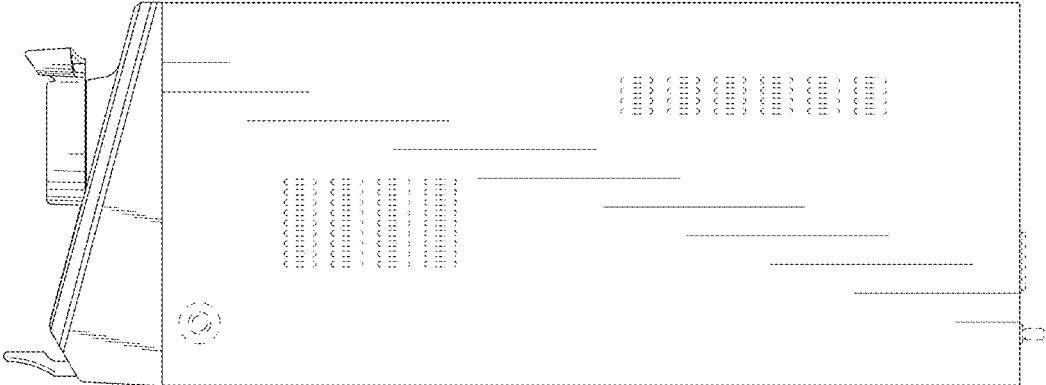


FIG. 5

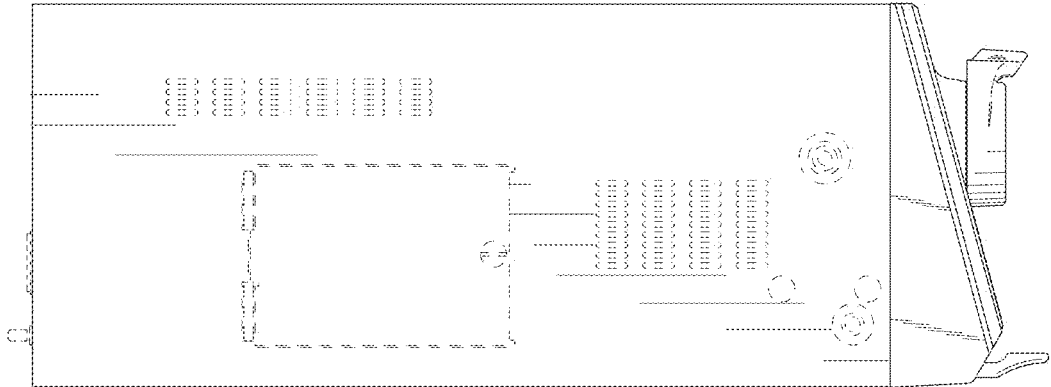


FIG. 6

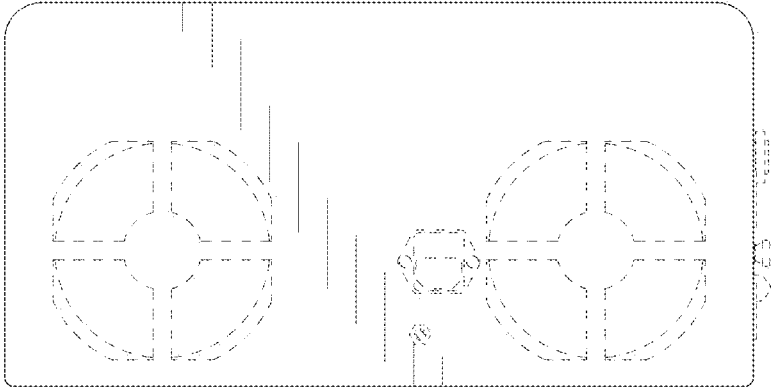


FIG. 7

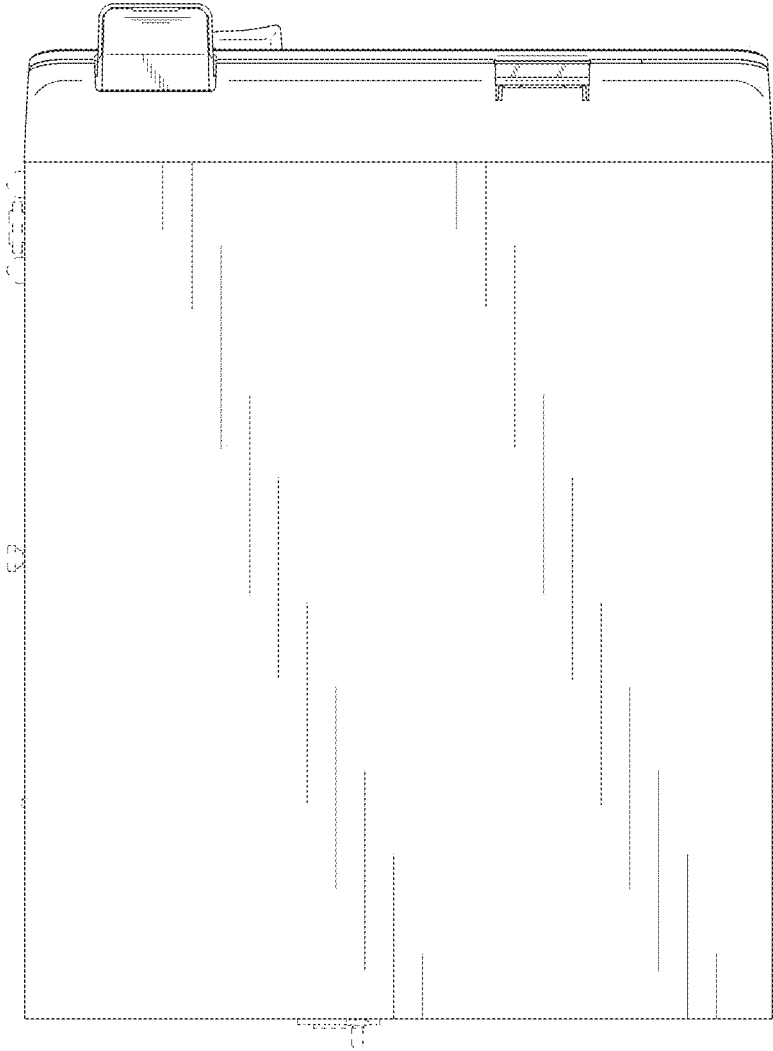


FIG. 8