



US00D956994S

(12) **United States Design Patent**  
**Marzolf et al.**

(10) **Patent No.:** **US D956,994 S**

(45) **Date of Patent:** **\*\* Jul. 5, 2022**

- (54) **MASSAGER HANDLE**
- (71) Applicant: **Addaday, Inc.**, Los Angeles, CA (US)
- (72) Inventors: **Leo Boris Marzolf**, San Francisco, CA (US); **David Jason Wilkins**, Truckee, CA (US); **Robyn Alley**, San Francisco, CA (US); **Nikolay Sergeyevich Vladimirov**, San Francisco, CA (US); **Marcelle Nadine Yvette van Beusekom**, Oakland, CA (US); **Juho Tapio Parviainen**, San Rafael, CA (US); **Nikolaj Dam Roadley-Battin**, San Francisco, CA (US); **Victor Yang**, Santa Monica, CA (US)

D695,903 S *	12/2013	Tamsiran .....	D24/209
D734,479 S *	7/2015	Youngquist .....	D24/158
D742,003 S *	10/2015	Tasar .....	D24/146
D759,831 S *	6/2016	Levi .....	D24/200
D787,083 S *	5/2017	Ely .....	D24/209
D794,854 S *	8/2017	Zepter .....	D26/45
D797,302 S *	9/2017	Vahlensieck .....	D24/209
D850,638 S *	6/2019	Cha .....	D24/200
D855,818 S *	8/2019	Kymm .....	D24/209
D891,948 S *	8/2020	Chen .....	D10/57
D901,030 S *	11/2020	Yoon .....	D24/209
D901,031 S *	11/2020	Yoon .....	D24/209
D907,789 S *	1/2021	Shenfarber .....	D24/209
D908,232 S *	1/2021	Shenfarber .....	D24/209
D914,898 S *	3/2021	Britt .....	D24/214

\* cited by examiner

(\*\*) Term: **15 Years**

*Primary Examiner* — Michael A Maharajh  
(74) *Attorney, Agent, or Firm* — Novian & Novian LLP,  
Michael O'Brien

(21) Appl. No.: **29/765,047**

(22) Filed: **Jan. 5, 2021**

(57) **CLAIM**

(51) **LOC (13) Cl.** ..... **28-03**

The ornamental design for a massager handle, as shown and described.

(52) **U.S. Cl.** ..... **D24/215**

(58) **Field of Classification Search**  
USPC ..... D24/133, 188, 200, 211, 212, 213, 214,  
D24/215; D28/44, 56, 58; D10/57  
CPC ..... A61B 2017/00761; A61B 2018/00458;  
A61H 7/008  
See application file for complete search history.

**DESCRIPTION**

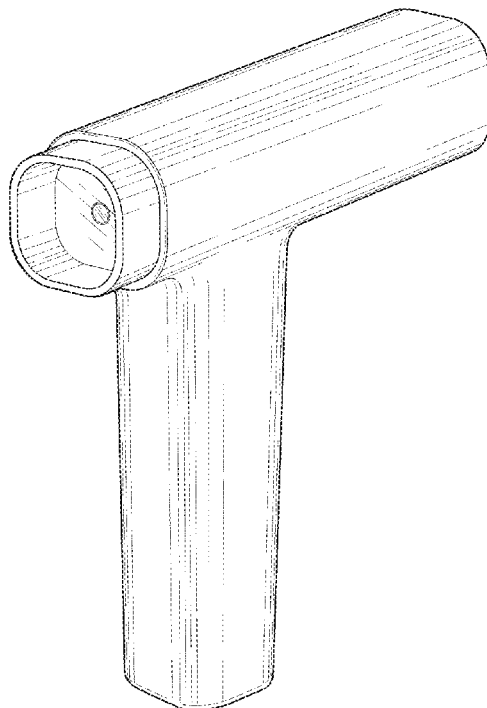
FIG. 1 is a top perspective view of a massager handle, showing our new design.  
FIG. 2 is a right side view thereof.  
FIG. 3 is a left side view thereof.  
FIG. 4 is a front view thereof.  
FIG. 5 is a back view thereof.  
FIG. 6 is a top view thereof; and,  
FIG. 7 is a bottom view thereof.

(56) **References Cited**

**U.S. PATENT DOCUMENTS**

D609,817 S *	2/2010	Piller .....	D24/215
D652,919 S *	1/2012	Sherwood .....	D24/133

**1 Claim, 7 Drawing Sheets**



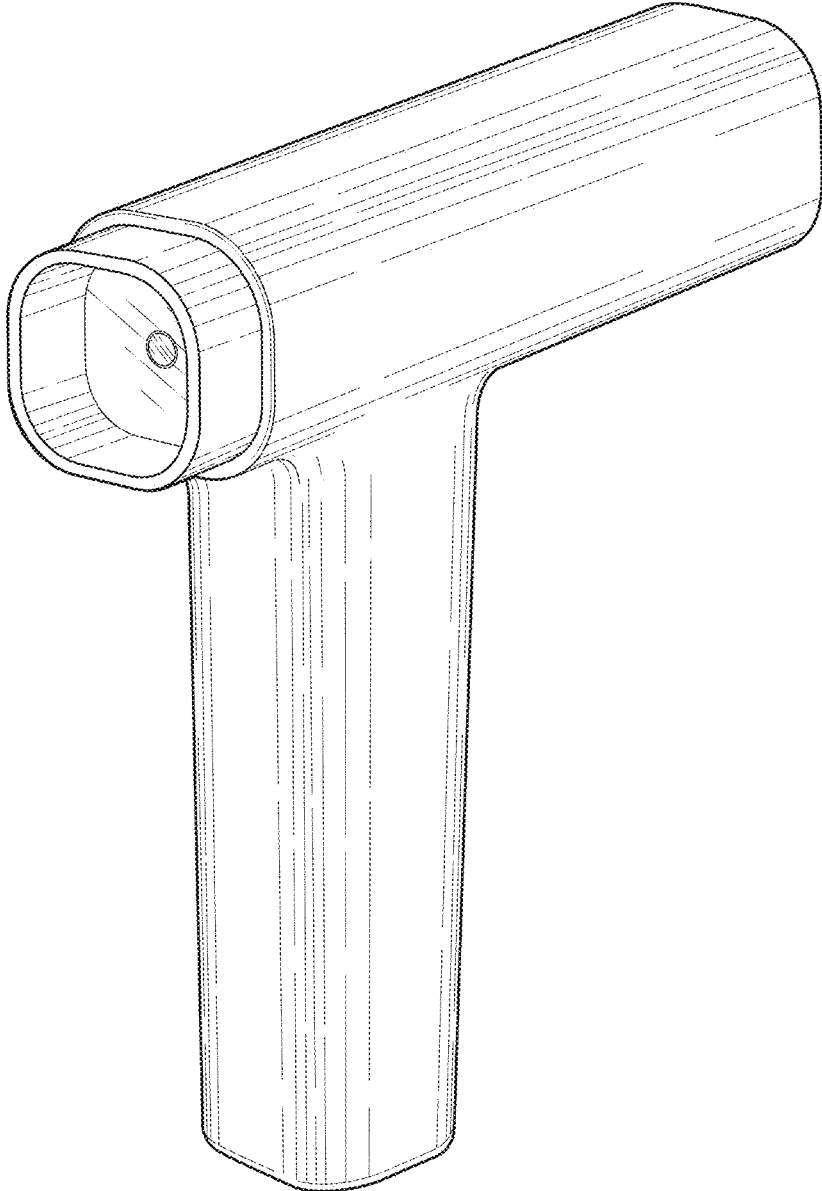


Fig. 1

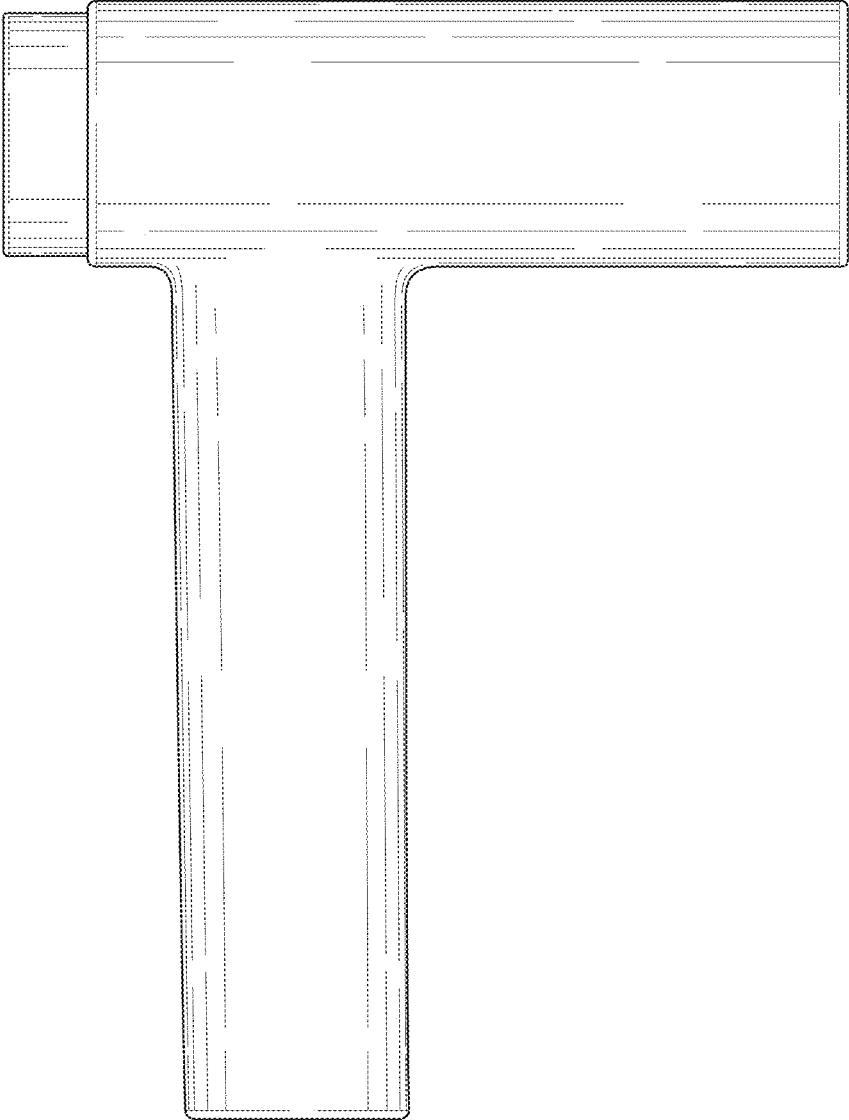


Fig.2

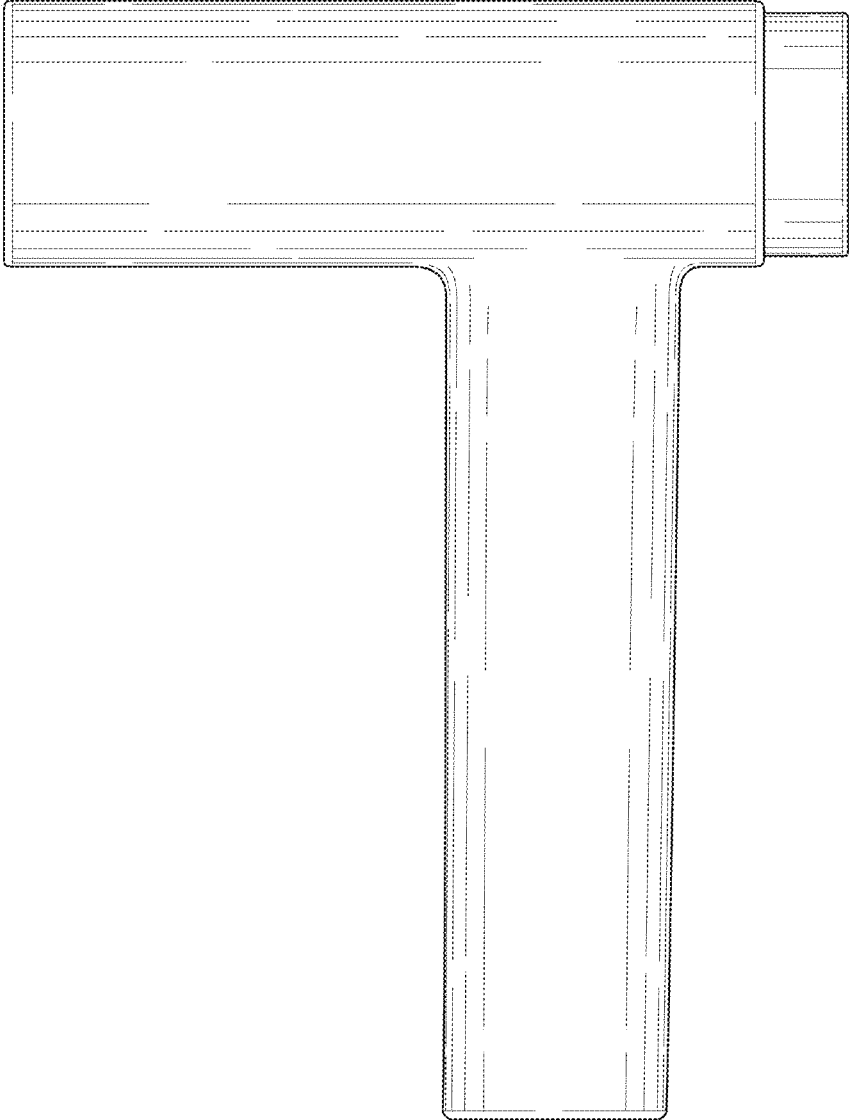


Fig.3

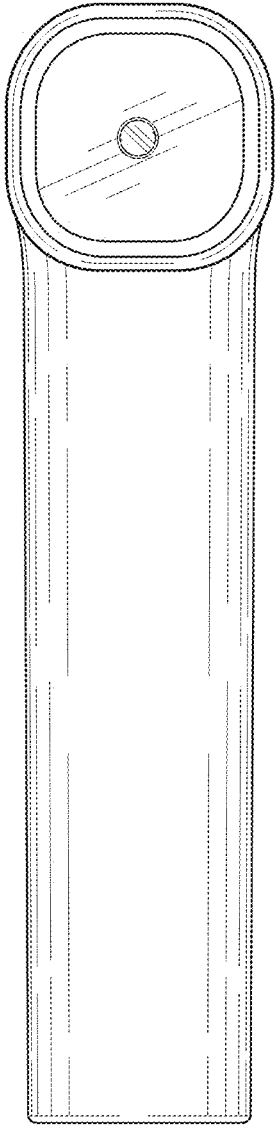


Fig.4

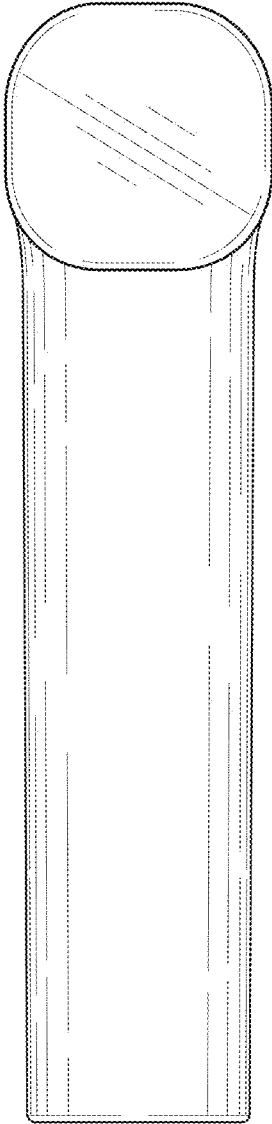


Fig.5

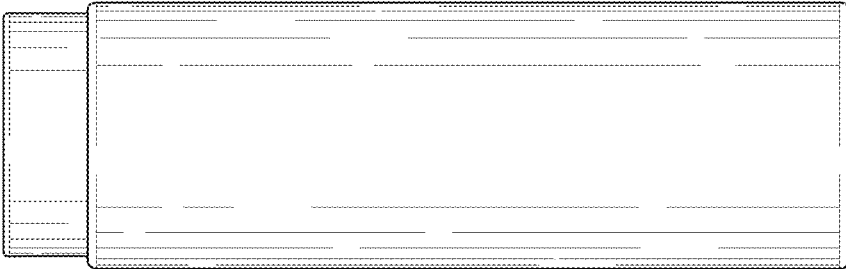


Fig.6

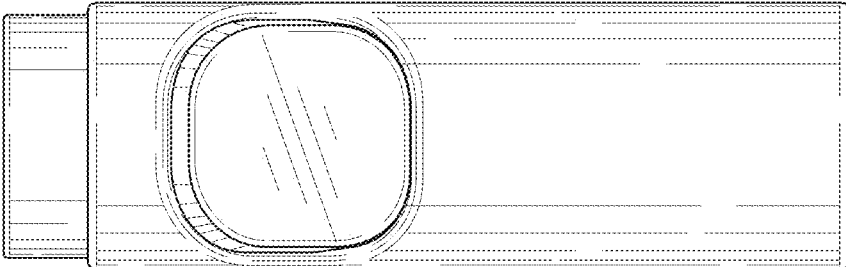


Fig. 7