



US00D896188S

(12) **United States Design Patent**
Francis et al.

(10) **Patent No.:** **US D896,188 S**

(45) **Date of Patent:** **** Sep. 15, 2020**

(54) **GARAGE DOOR ACCESSORY**

(71) Applicant: **BLACK & DECKER INC.**, New Britain, CT (US)

(72) Inventors: **Matthew C. Francis**, Baltimore, MD (US); **Samuel P. Thompson**, Newcastle Upon Tyne (GB)

(73) Assignee: **BLACK & DECKER INC.**, New Britain, CT (US)

(**) Term: **15 Years**

(21) Appl. No.: **29/675,915**

(22) Filed: **Jan. 7, 2019**

(51) **LOC (12) Cl.** **14-03**

(52) **U.S. Cl.**
USPC **D13/168**

(58) **Field of Classification Search**

USPC D13/168; D14/218; D10/104.1, 106.1; D15/148, 199
CPC H03J 1/0025; H03J 9/00; H03J 9/02; H03J 9/04; H03J 9/06; H04B 1/202; G05B 11/01; G08C 17/00; G08C 17/02; G08C 19/28; G07C 9/00309; G07C 9/00182; G07C 9/00944; G07C 9/00174; G07C 2009/00206; G07C 2009/00214; G07C 2009/00928; E05F 15/77

See application file for complete search history.

(56) **References Cited**

U.S. PATENT DOCUMENTS

D380,696 S * 7/1997 Doppelt D10/104.1
D490,380 S * 5/2004 Coullahan D13/168

D527,296 S * 8/2006 Concari D10/106.1
D592,158 S * 5/2009 Peterson D13/168
D622,710 S * 8/2010 Goransson D14/218
D872,150 S * 1/2020 Abel D15/148
2016/0037664 A1* 2/2016 Hendricks H05K 5/0017
361/814

* cited by examiner

Primary Examiner — Selina Sikder

(74) *Attorney, Agent, or Firm* — Adan Ayala

(57) **CLAIM**

The ornamental design for a garage door accessory, as shown and described.

DESCRIPTION

FIG. 1 is a front perspective view of a garage door accessory according to the invention.

FIG. 2 is a front view of the garage door accessory of FIG. 1.

FIG. 3 is a rear view of the garage door accessory of FIG. 1.

FIG. 4 is a right side view of the garage door accessory of FIG. 1.

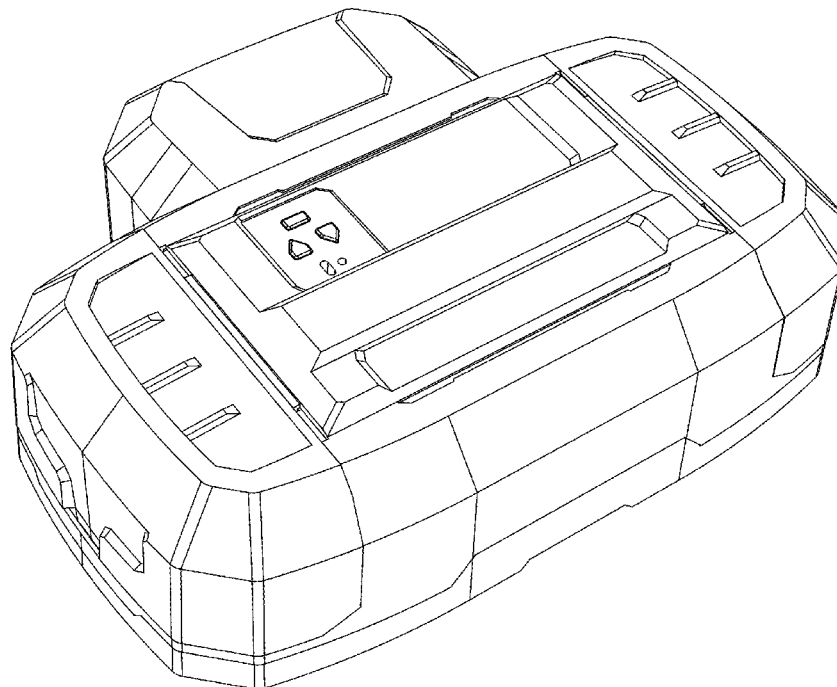
FIG. 5 is a left side view of the garage door accessory of FIG. 1.

FIG. 6 is a bottom plan view of the garage door accessory of FIG. 1; and,

FIG. 7 is a top plan view of the garage door accessory of FIG. 1.

In the drawings, the broken lines depict a portion of the garage door accessory which form no part of the claim.

1 Claim, 7 Drawing Sheets



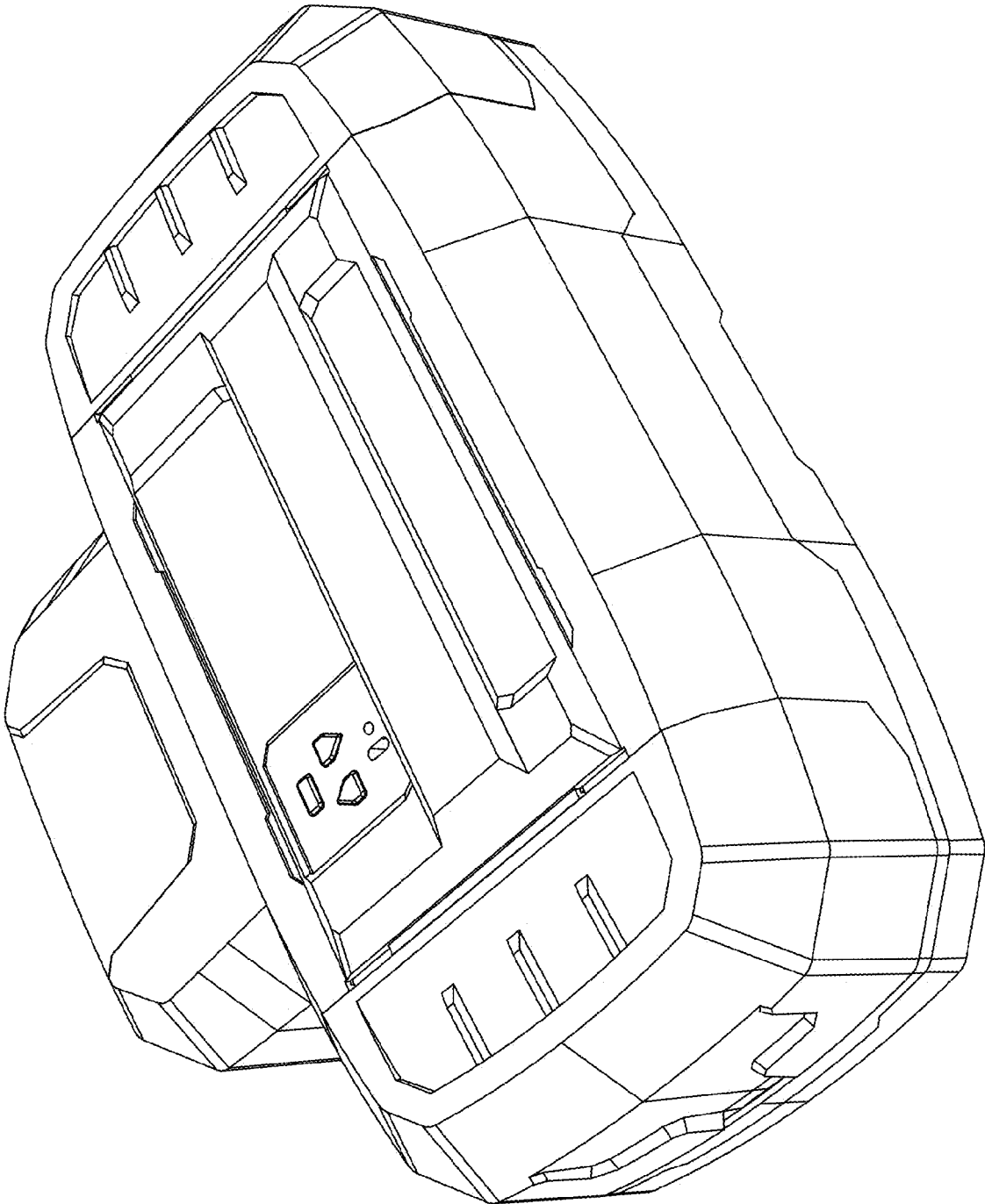


FIG. 1

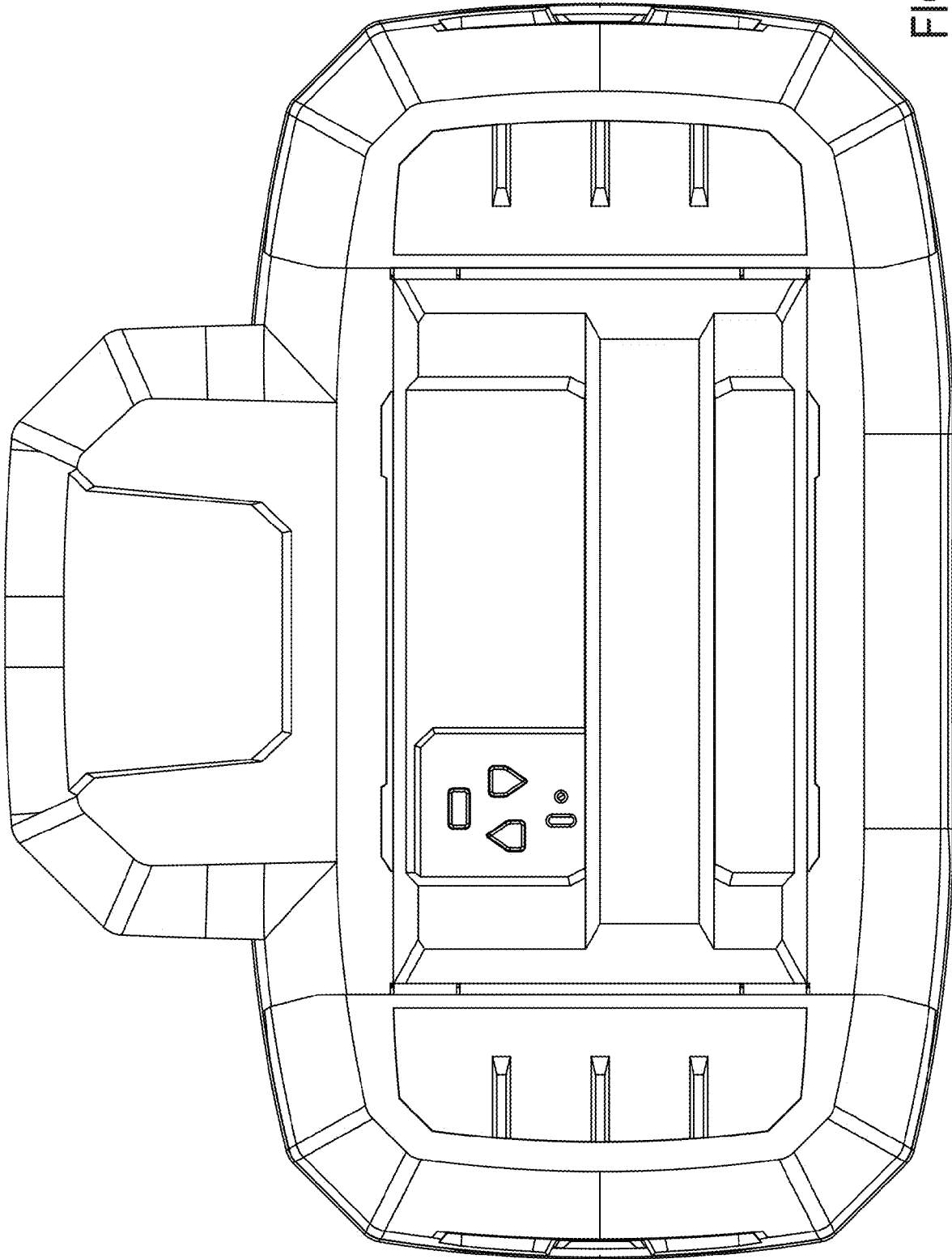


FIG. 2

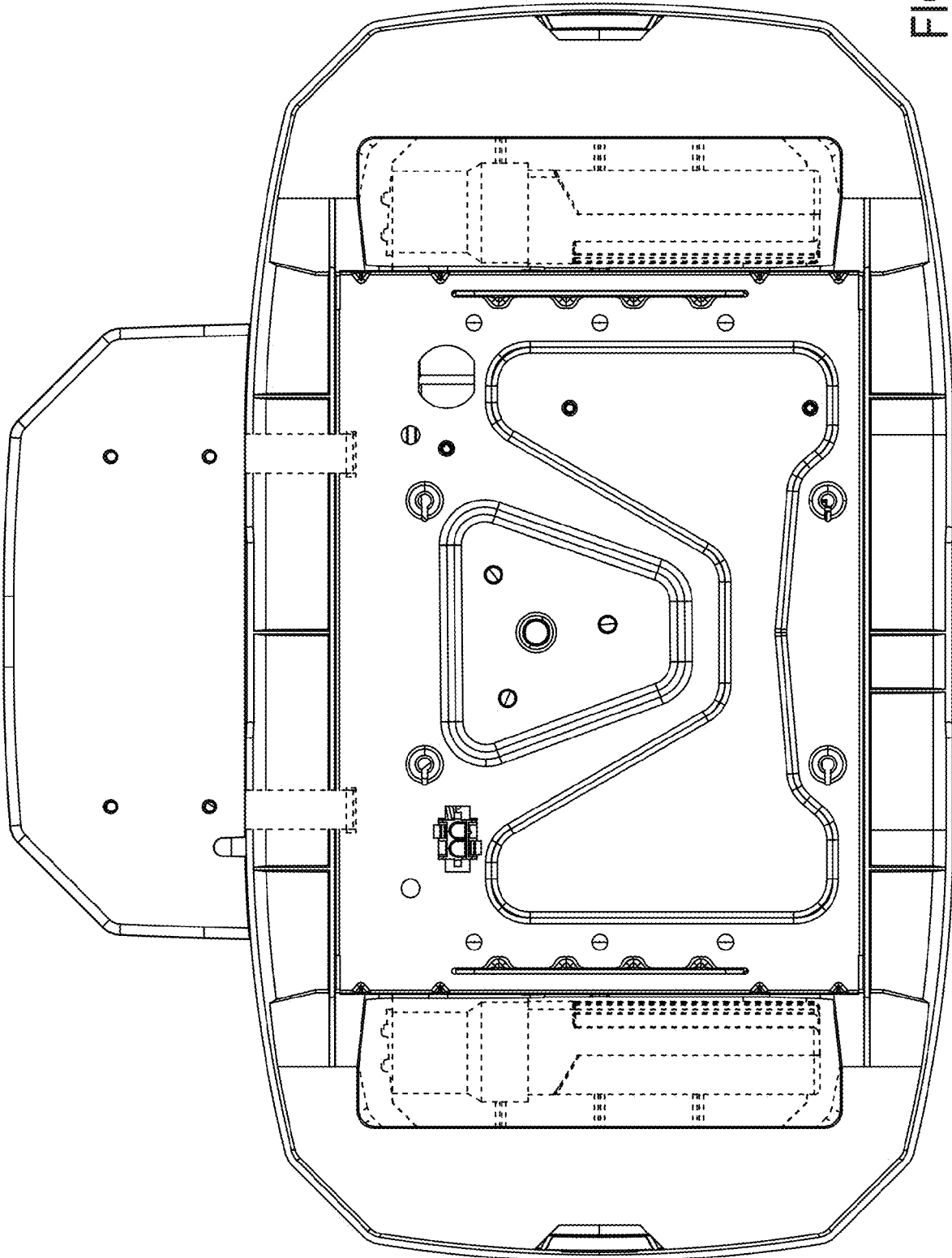


FIG. 3

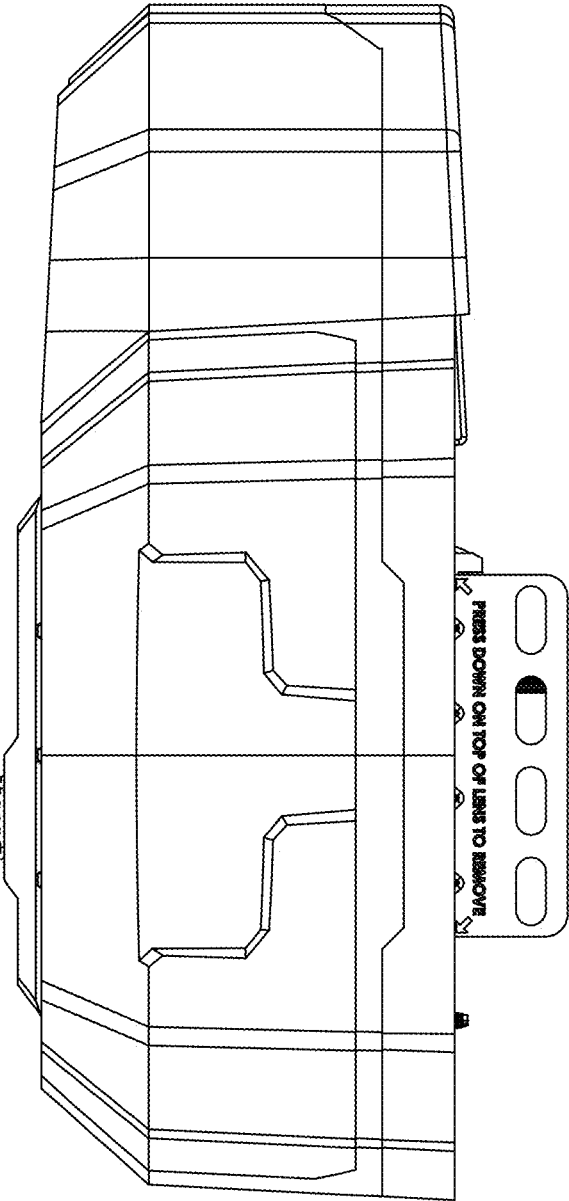


FIG. 4

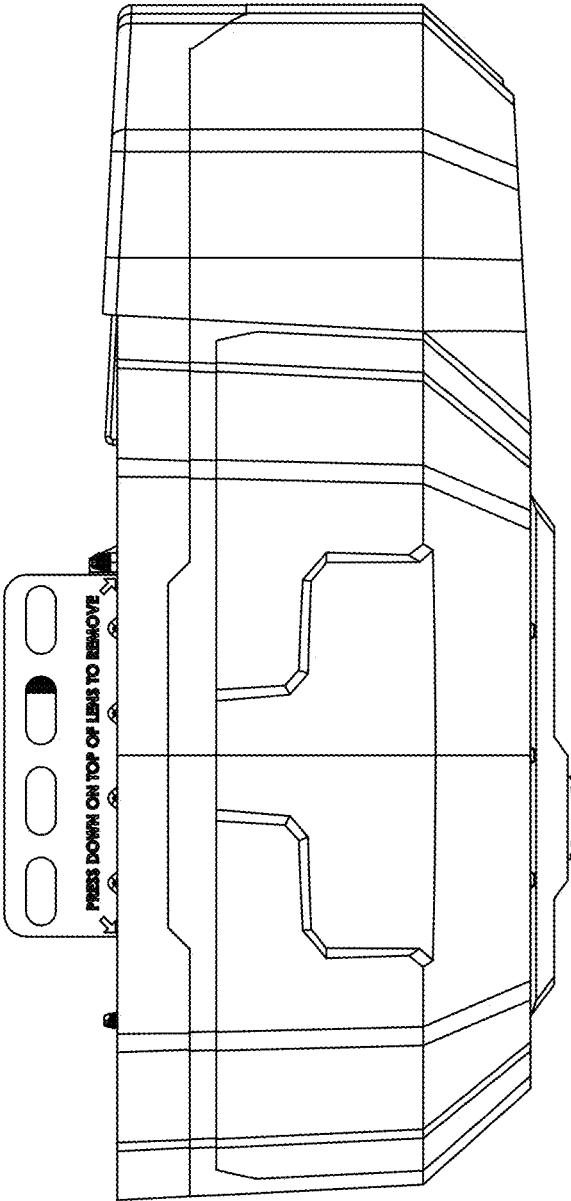


FIG. 5

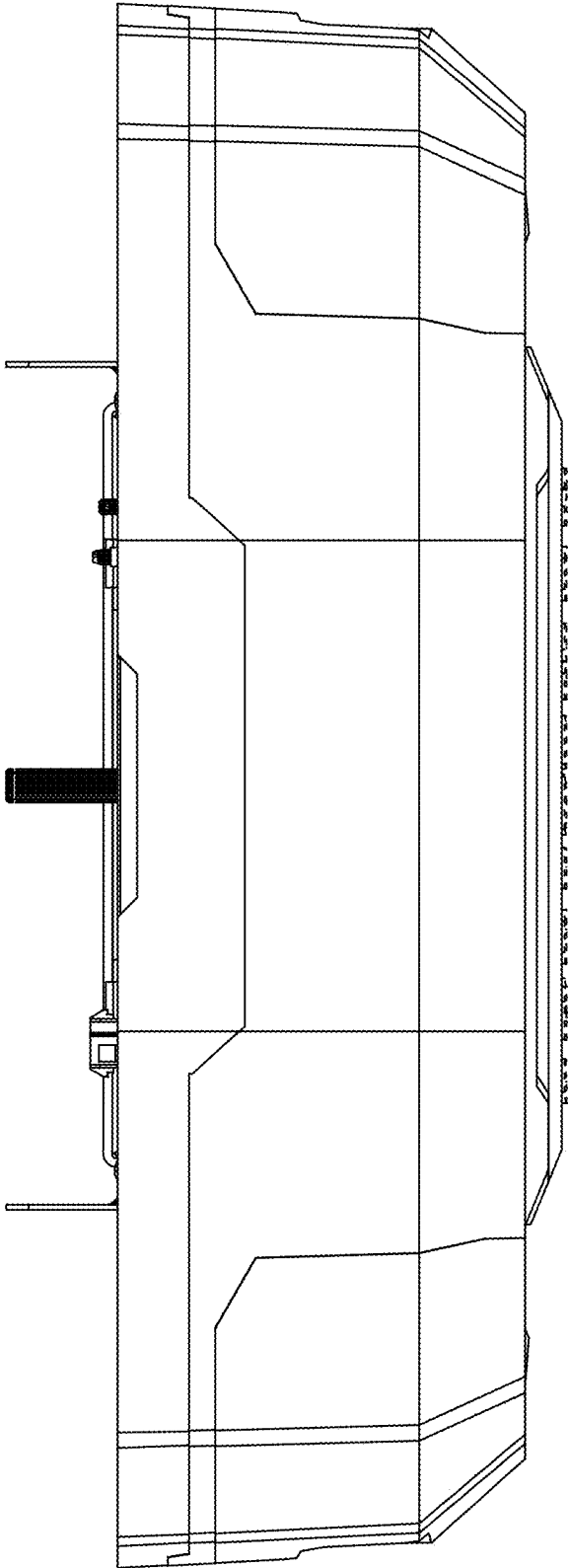


FIG. 6

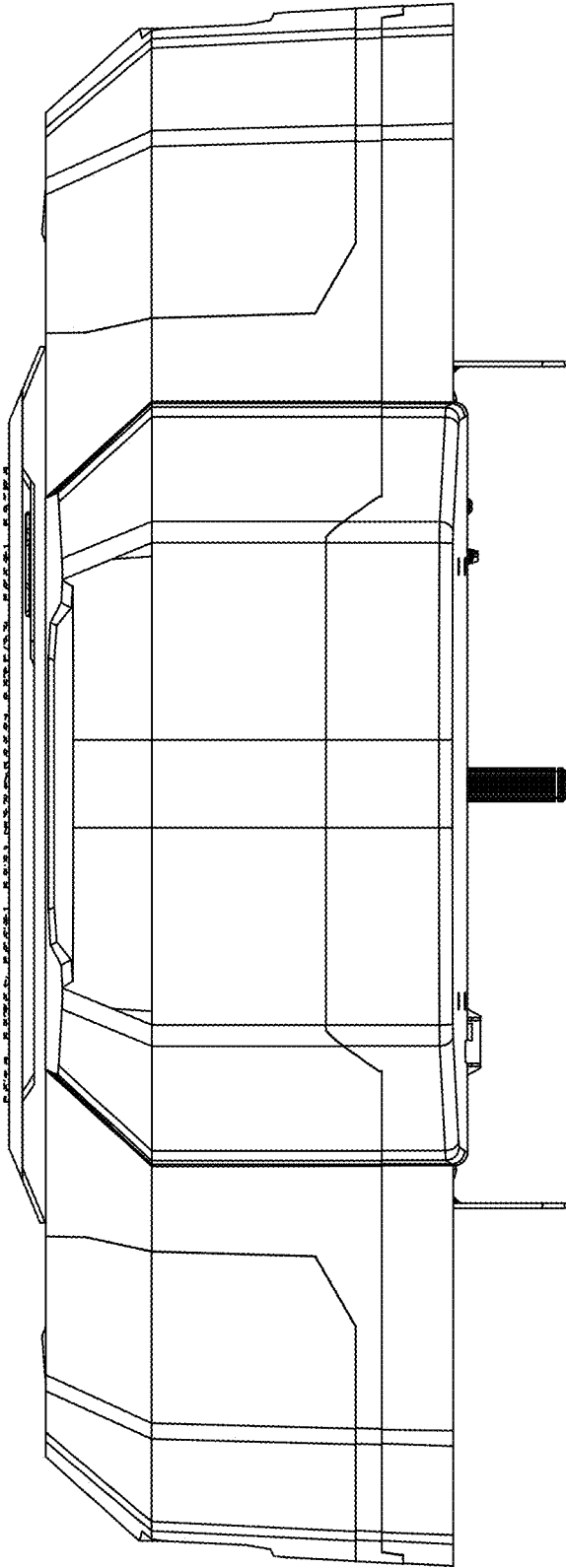


FIG. 7