



US00D947763S

(12) **United States Design Patent**
Huang

(10) **Patent No.:** **US D947,763 S**

(45) **Date of Patent:** **** Apr. 5, 2022**

(54) **BATTERY CHARGER**

(71) Applicant: **Yongping Huang**, Guangdong (CN)

(72) Inventor: **Yongping Huang**, Guangdong (CN)

(**) Term: **15 Years**

(21) Appl. No.: **29/739,682**

(22) Filed: **Jun. 29, 2020**

(51) **LOC (13) Cl.** **13-02**

(52) **U.S. Cl.**
USPC **D13/107**

(58) **Field of Classification Search**

USPC D13/103, 107-110, 118, 119, 184, 199;
D14/251, 253, 432, 434
CPC Y02E 60/12; H02J 7/025; H02J 7/0042;
H02J 7/0044; H02J 7/0045; H02J 7/0003;
H02J 7/0027; H02J 7/0013; H02J 7/0054;
H02J 7/00; H02J 3/32; H02J 3/008; H02J
2001/008; H01F 38/14; H01R 13/6675;
H01M 2/1022; H01M 2/1055; H01M
10/44; H01M 10/46; H01M 10/425;
B60R 16/03; B60L 11/1809; B60L
11/1861; B60L 11/182

See application file for complete search history.

(56) **References Cited**

U.S. PATENT DOCUMENTS

D478,557 S * 8/2003 Pfeiffer D13/107
D488,443 S * 4/2004 Bailey D13/119
D515,501 S * 2/2006 Kawasaki D13/107
D517,477 S * 3/2006 Yamagishi D13/107
D519,445 S * 4/2006 Wang D13/107
D519,447 S * 4/2006 Lie D13/107
D532,369 S * 11/2006 Shimizu D13/108
D532,370 S * 11/2006 Shimizu D13/108
D551,163 S * 9/2007 Hamasaki D13/107
D571,722 S * 6/2008 Kang D13/107
D573,088 S * 7/2008 Castellucci D13/107

D599,287 S * 9/2009 Kingston D13/107
D599,735 S * 9/2009 Amidei D13/107
D614,127 S * 4/2010 Kingston D13/107
D623,130 S * 9/2010 Kawakami D13/107
D632,646 S * 2/2011 Fitch D13/107
D639,732 S * 6/2011 Ueda D13/107
D650,328 S * 12/2011 Fitch D13/107
D667,785 S * 9/2012 Ueda D13/107
D676,806 S * 2/2013 Baker D13/107
D687,770 S * 8/2013 Rabalais D13/107
D694,177 S * 11/2013 Bennett D13/107
D694,178 S * 11/2013 Bennett D13/107
D694,705 S * 12/2013 Kingston D13/107
D697,025 S * 1/2014 Fitch D13/107
D718,710 S * 12/2014 Rabalais D13/107
D743,331 S * 11/2015 Racine D13/107
D808,899 S * 1/2018 Li D13/107
D808,900 S * 1/2018 Li D13/107
D810,012 S * 2/2018 Li D13/107
D816,023 S * 4/2018 Price D13/107
D817,871 S * 5/2018 Li D13/107

(Continued)

Primary Examiner — Christy Nemeth

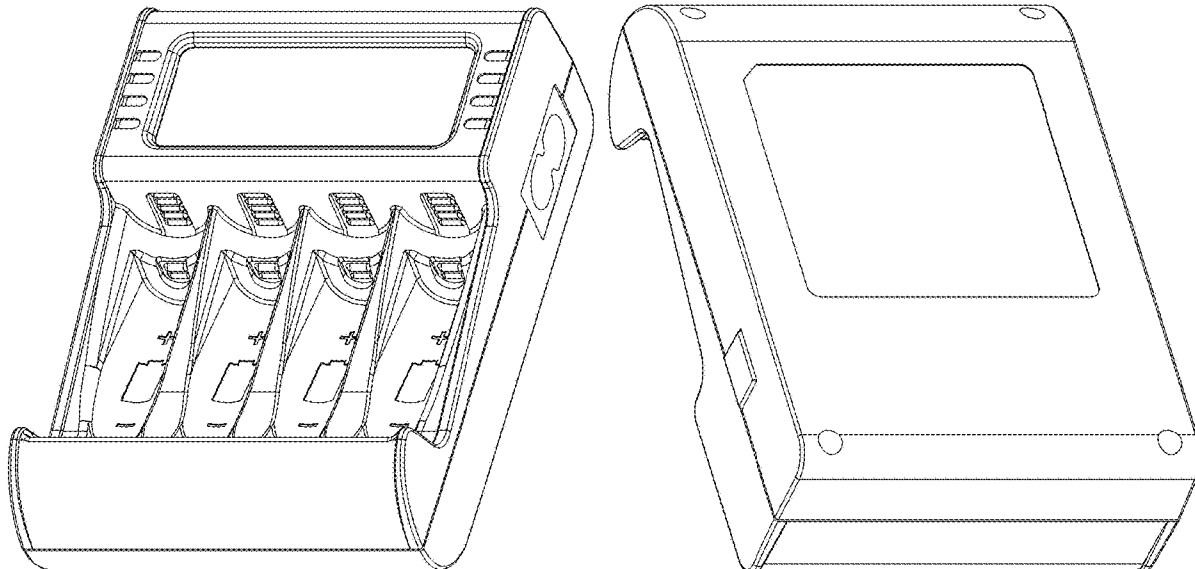
(57) **CLAIM**

The ornamental design for a battery charger, as shown and described.

DESCRIPTION

FIG. 1 is a front perspective view of a battery charger showing my new design;
FIG. 2 is a rear perspective view thereof;
FIG. 3 is a front elevation view thereof;
FIG. 4 is a rear elevation view thereof;
FIG. 5 is a left side elevational view thereof;
FIG. 6 is a right side elevational view thereof;
FIG. 7 is a top plan view thereof; and,
FIG. 8 is a bottom plan view thereof.
The broken lines in the drawings illustrate portions of the battery charger that form no part of the claimed design.

1 Claim, 6 Drawing Sheets



(56)

References Cited

U.S. PATENT DOCUMENTS

D822,597 S * 7/2018 Wai Hung D13/107
D905,628 S * 12/2020 Yi D13/107
D911,272 S * 2/2021 Xu D13/107
2016/0359353 A1 * 12/2016 Sekiguchi H02J 7/00

* cited by examiner

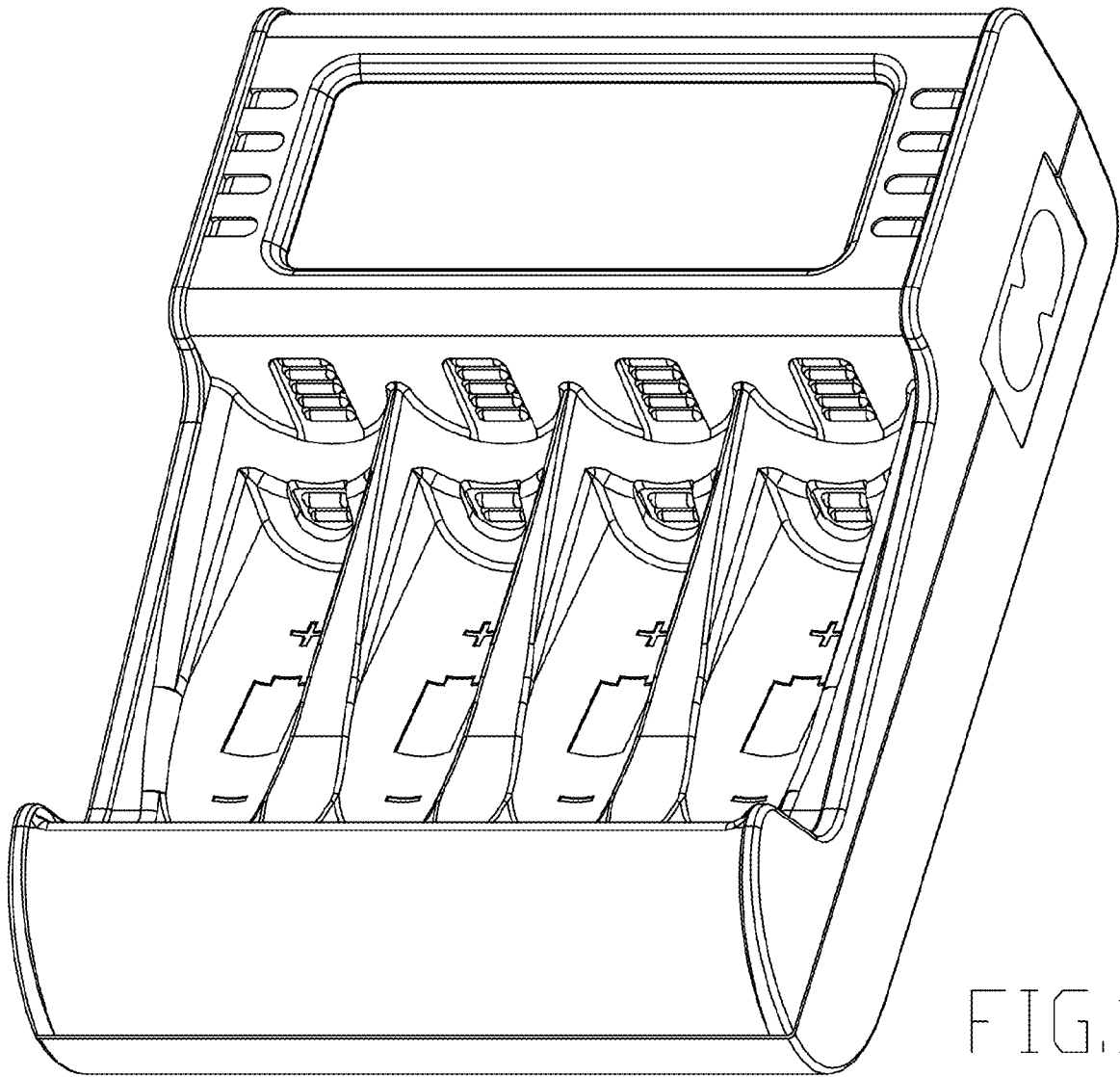
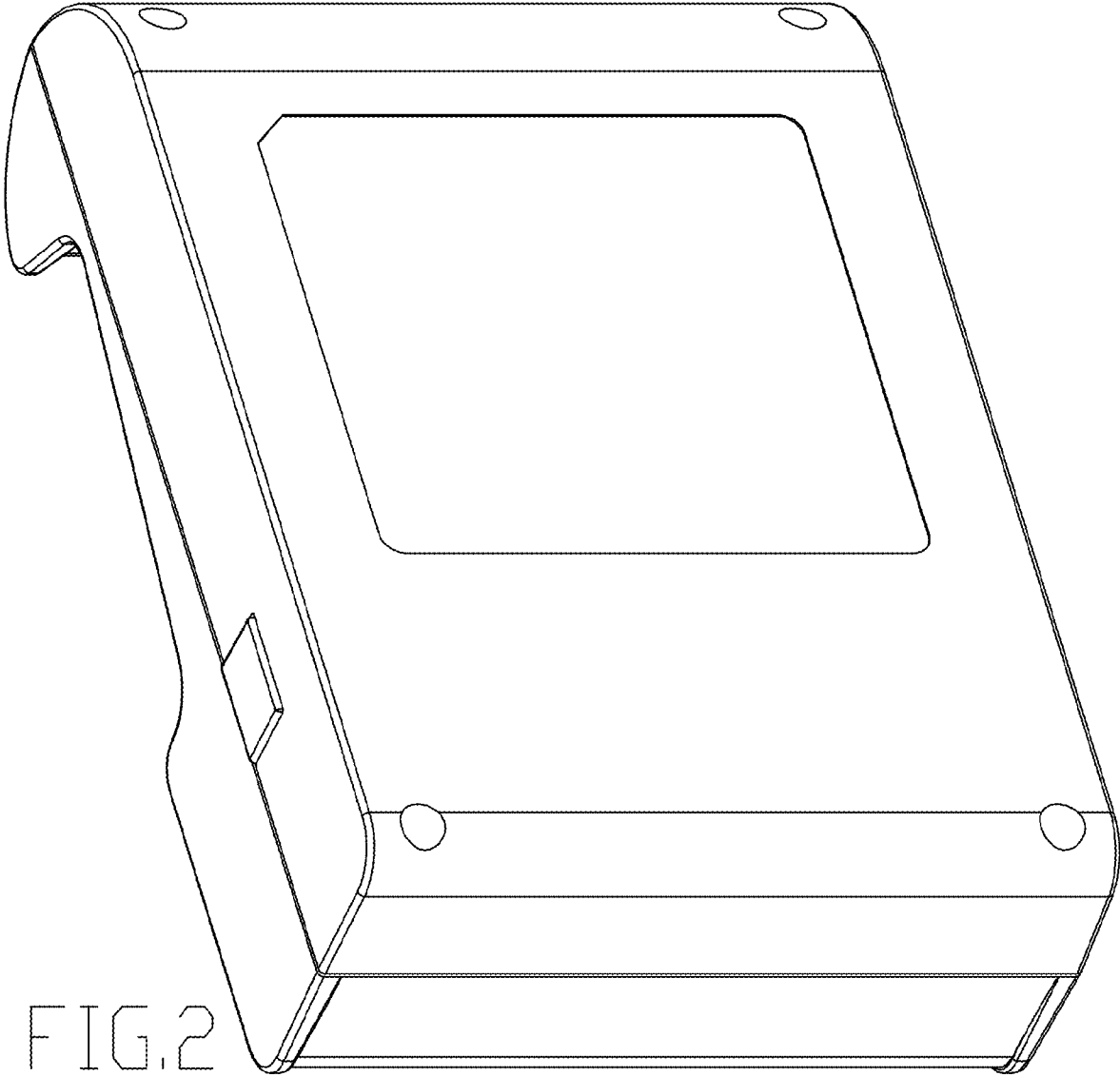


FIG.1



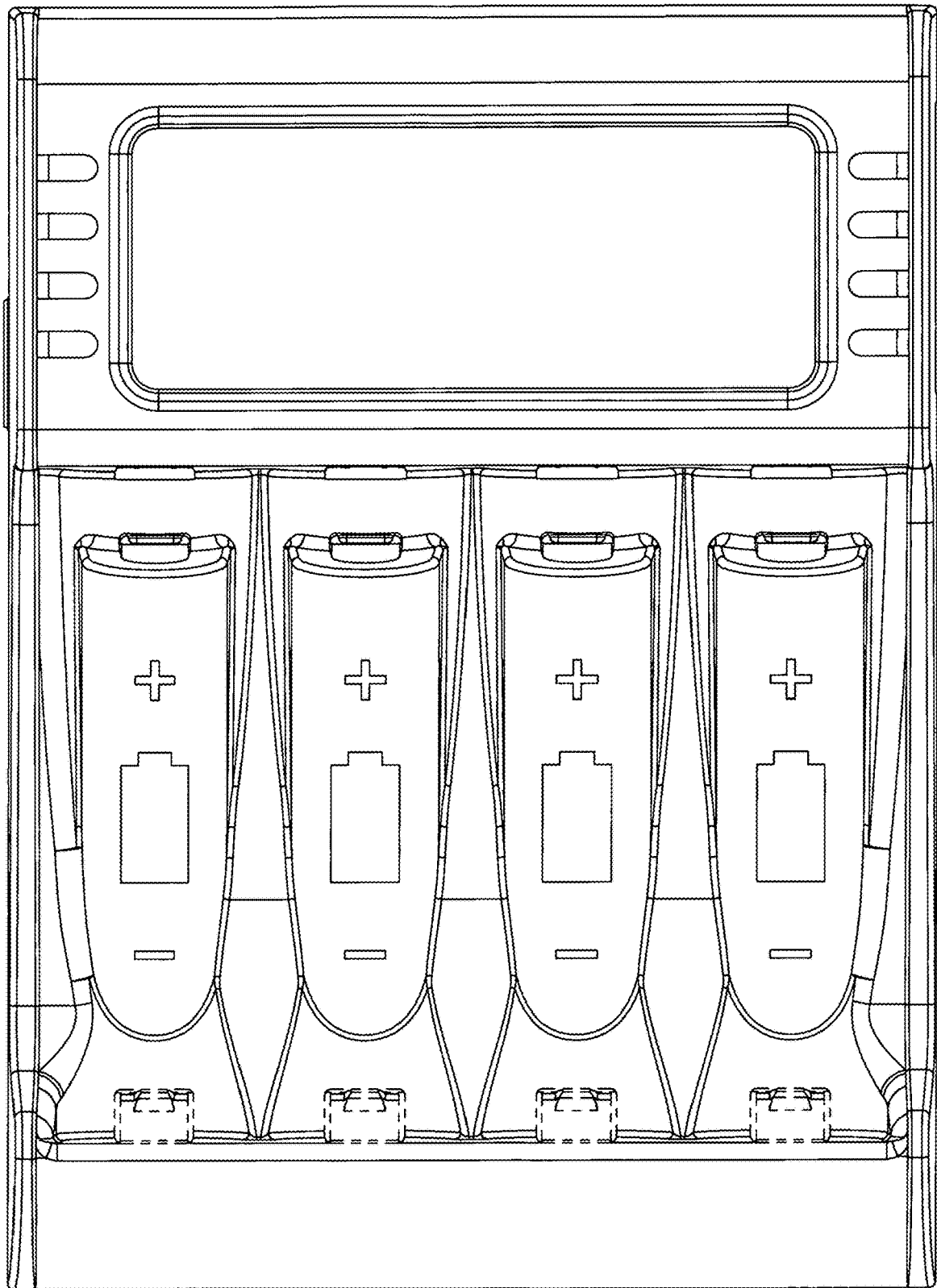


FIG. 3

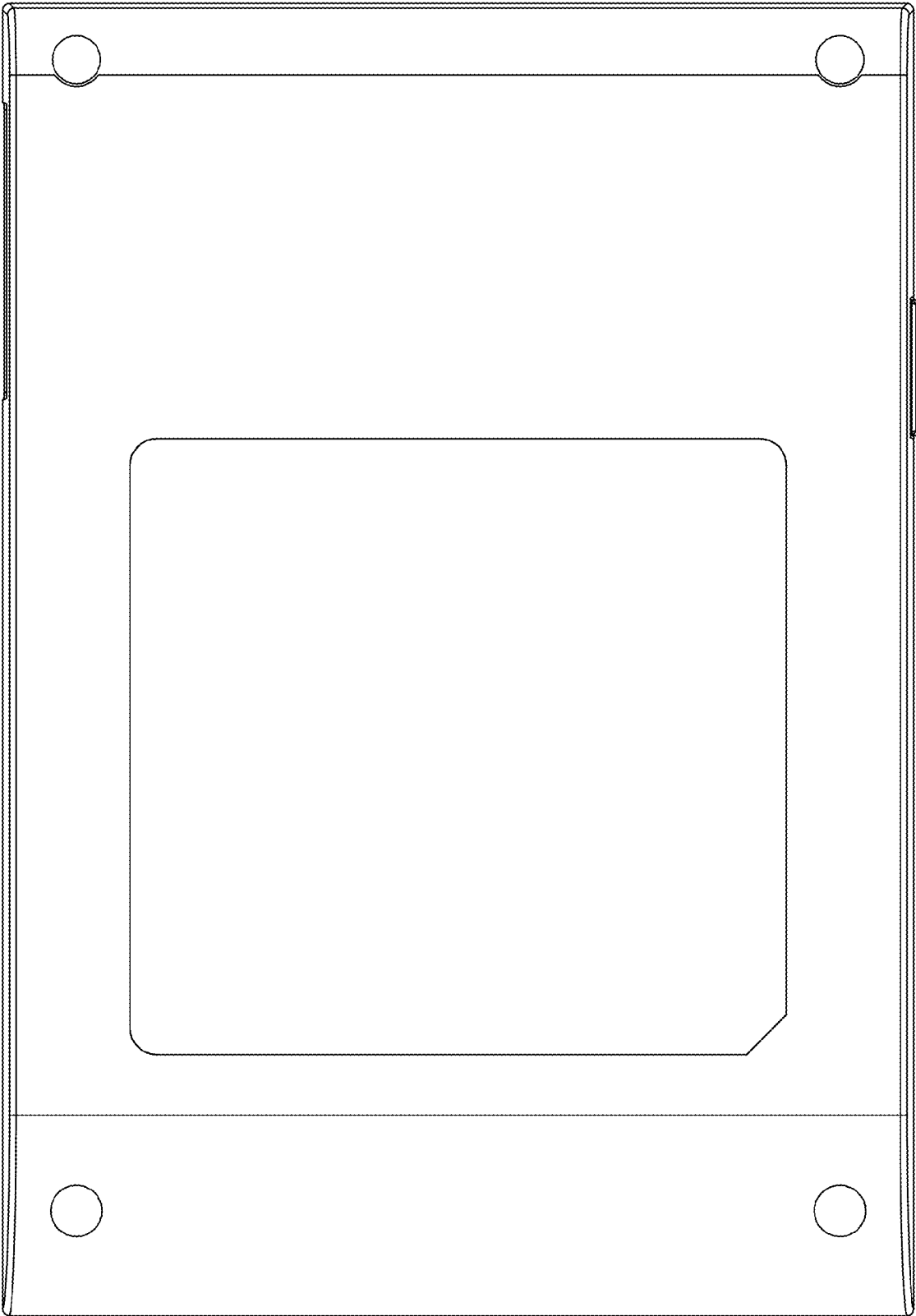


FIG. 4

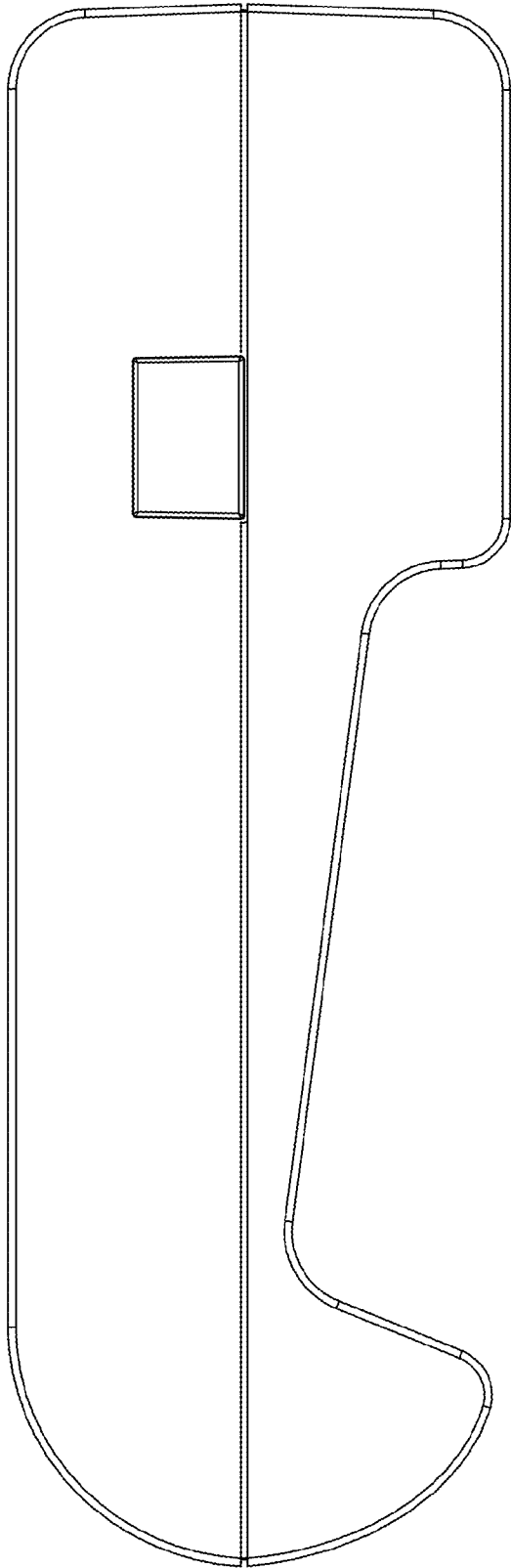


FIG. 5

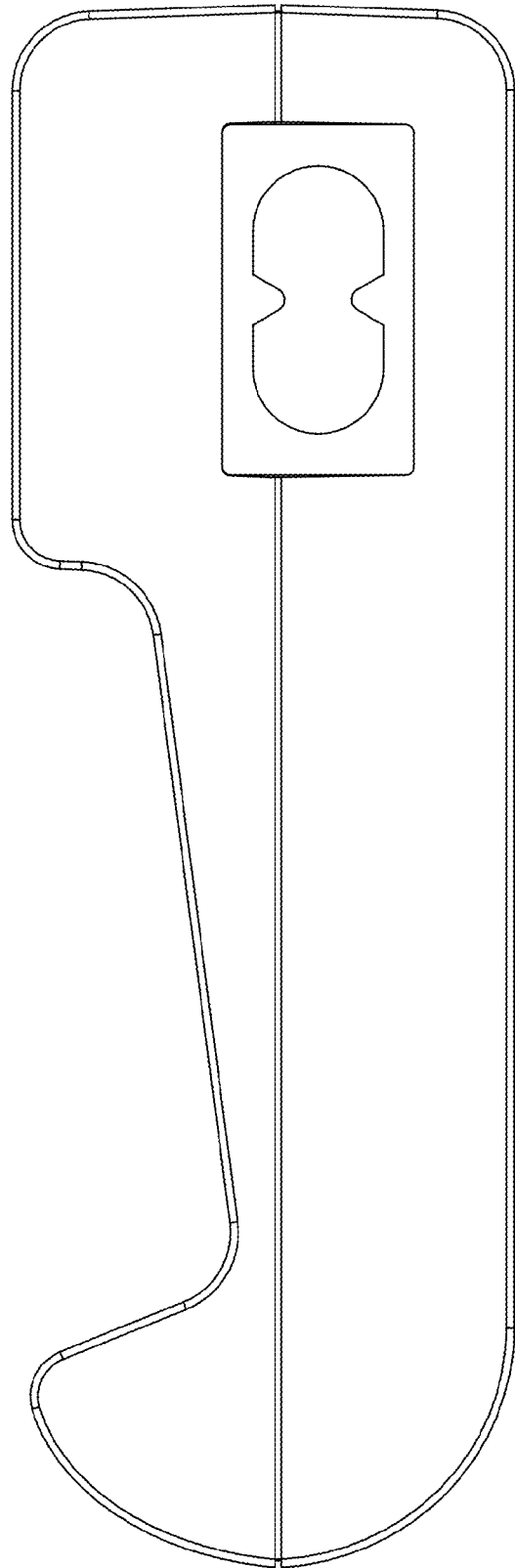


FIG. 6

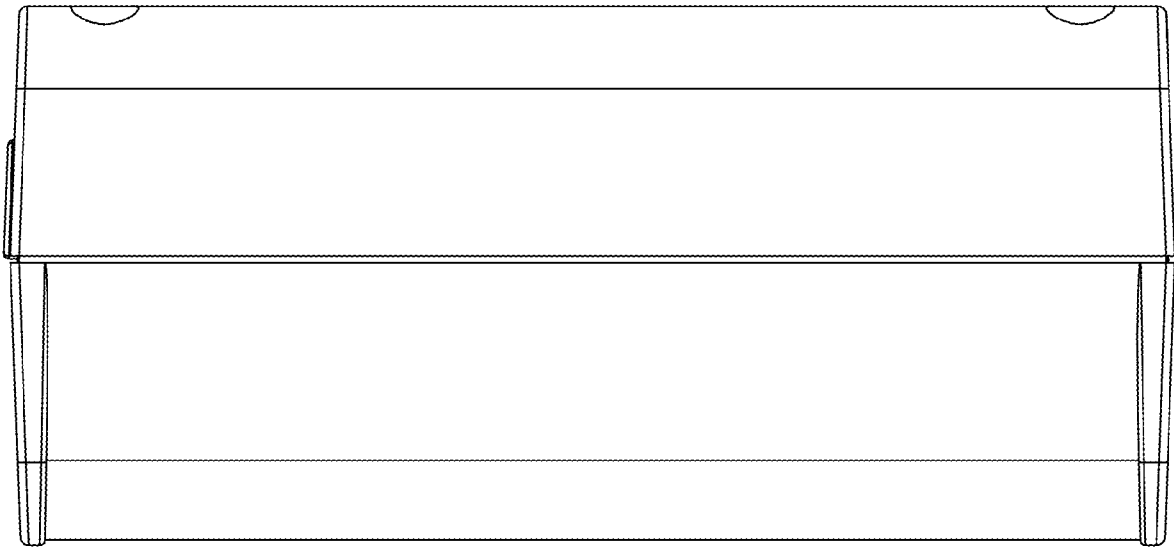


FIG. 7

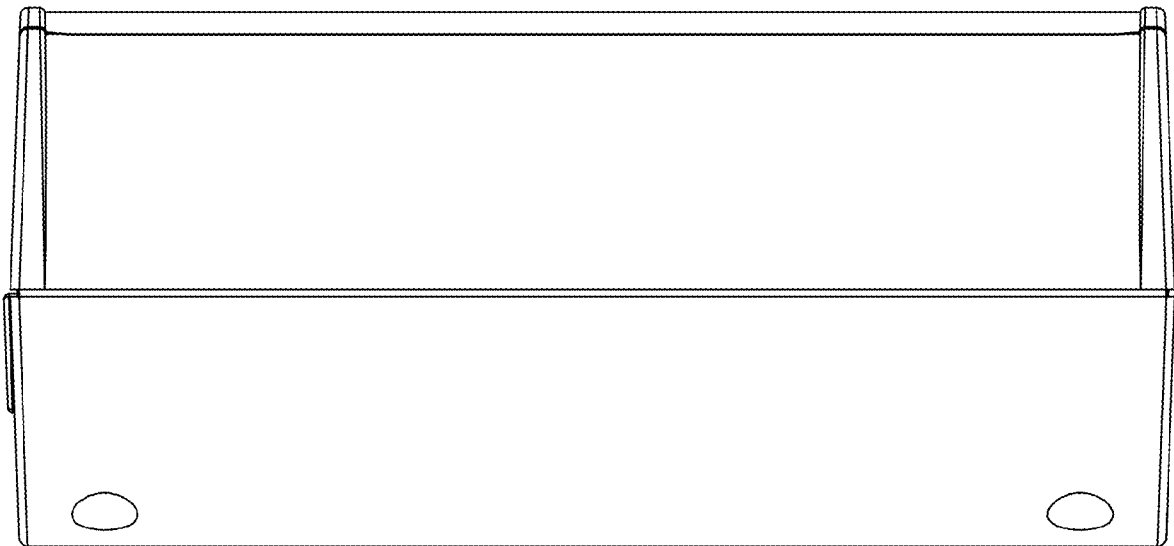


FIG. 8