



US00D685837S

(12) **United States Design Patent**
Measom et al.

(10) **Patent No.:** **US D685,837 S**

(45) **Date of Patent:** **** *Jul. 9, 2013**

(54) **PORTABLE SCREEN**

(76) Inventors: **Ty Measom**, Logan, UT (US); **Brett Bennett**, Mantua, UT (US)

(*) Notice: This patent is subject to a terminal disclaimer.

(**) Term: **14 Years**

(21) Appl. No.: **29/422,003**

(22) Filed: **May 15, 2012**

(51) **LOC (9) Cl.** **16-05**

(52) **U.S. Cl.**
USPC **D16/241**

(58) **Field of Classification Search**
USPC D16/241; D20/10, 34, 40, 41, 43,
D20/99; D6/300; D8/363, 367, 380, 394;
160/24, 240; 223/85, 87, 91; 248/170, 171;
359/443, 461; 350/117

See application file for complete search history.

(56) **References Cited**

U.S. PATENT DOCUMENTS

1,902,373	A	*	3/1933	Pineo	160/24
1,917,369	A	*	7/1933	Heck	160/24
2,272,269	A	*	2/1942	Heck	160/24
2,611,427	A	*	9/1952	Du Mais et al.	160/329
3,324,928	A	*	6/1967	Müller	160/24
4,017,152	A	*	4/1977	Allen	359/443
D323,338	S	*	1/1992	Court	D16/241
D552,181	S	*	10/2007	Spennare	D20/41

D558,814	S	*	1/2008	Wiener	D16/241
D607,916	S	*	1/2010	Orion	D16/241
7,773,298	B2	*	8/2010	Miyagawa et al.	359/443
8,024,881	B2	*	9/2011	Redmon	40/610

* cited by examiner

Primary Examiner — Philip S Hyder
Assistant Examiner — Darlington Ly
(74) *Attorney, Agent, or Firm* — Peck Hadfield Baxter & Moore, LLC; Preston P. Frischknecht

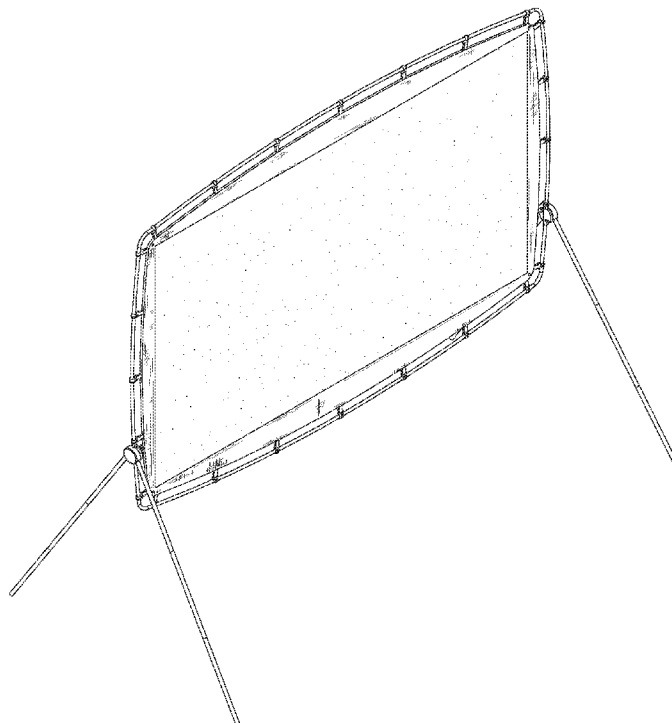
(57) **CLAIM**

The ornamental design for a portable screen, as shown and described.

DESCRIPTION

FIG. 1 is a fully assembled front view showing the design; FIG. 2 is a fully assembled back view showing the design; FIG. 3 is a fully assembled side right view showing the design; FIG. 4 is a fully assembled side left view showing the design; FIG. 5 is a fully assembled top view showing the design; FIG. 6 is a fully assembled bottom view showing the design; FIG. 7 is a fully assembled isometric view showing the design; and, FIG. 8 is a partially assembled and exploded view showing the design.

1 Claim, 6 Drawing Sheets



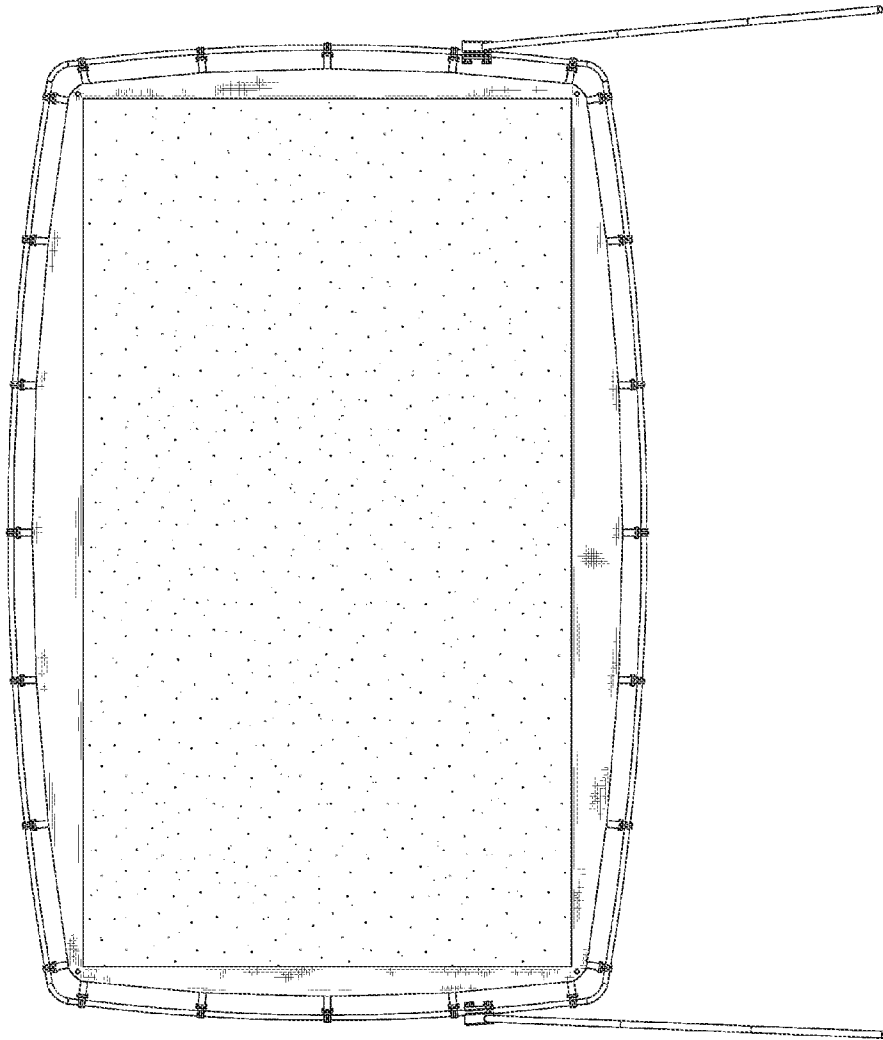


Fig. 1

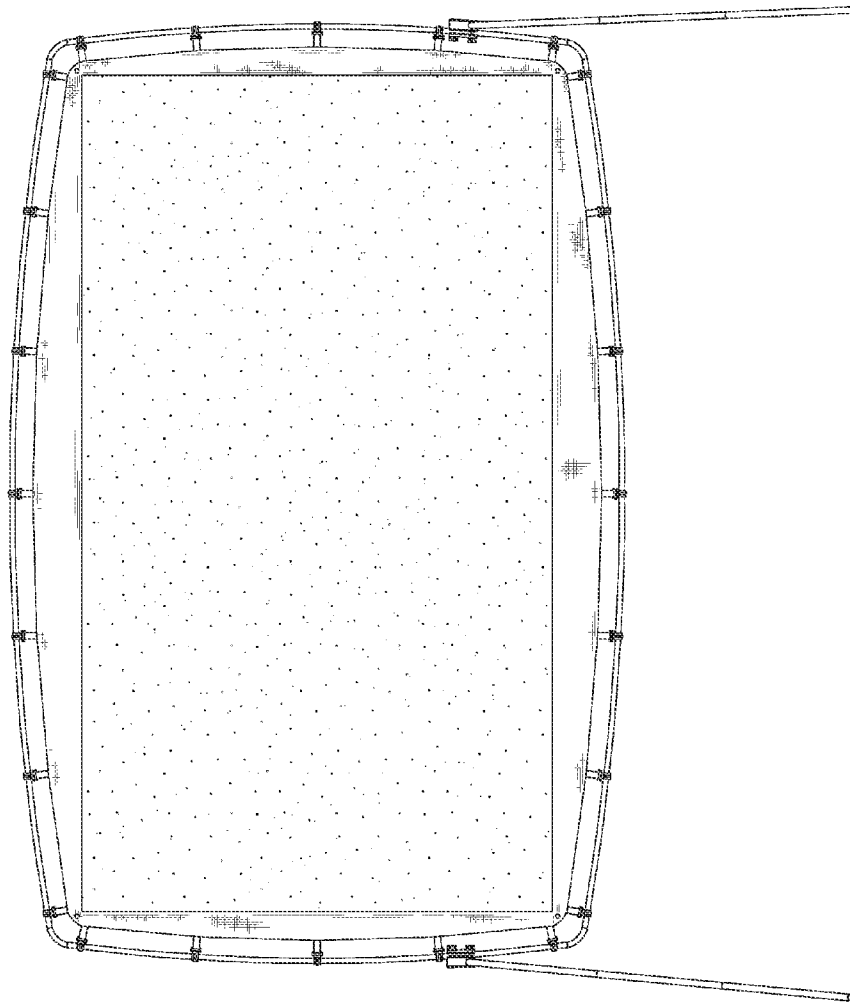


Fig. 2

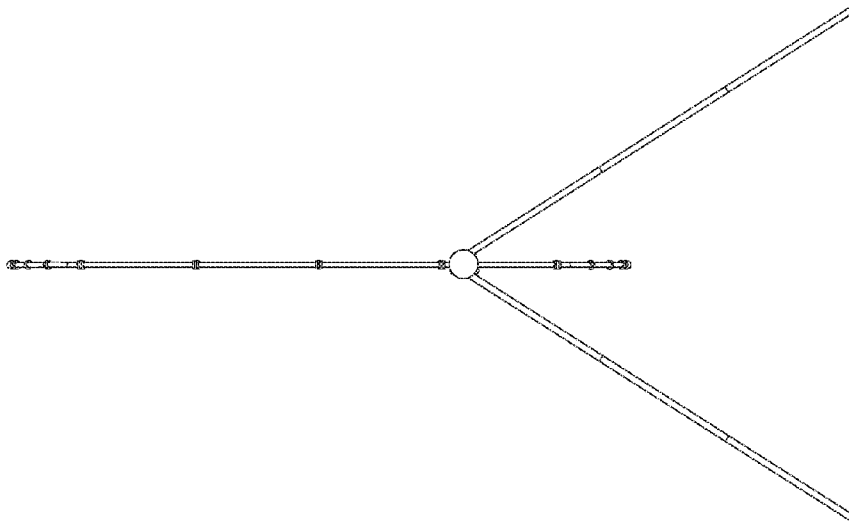


Fig. 4

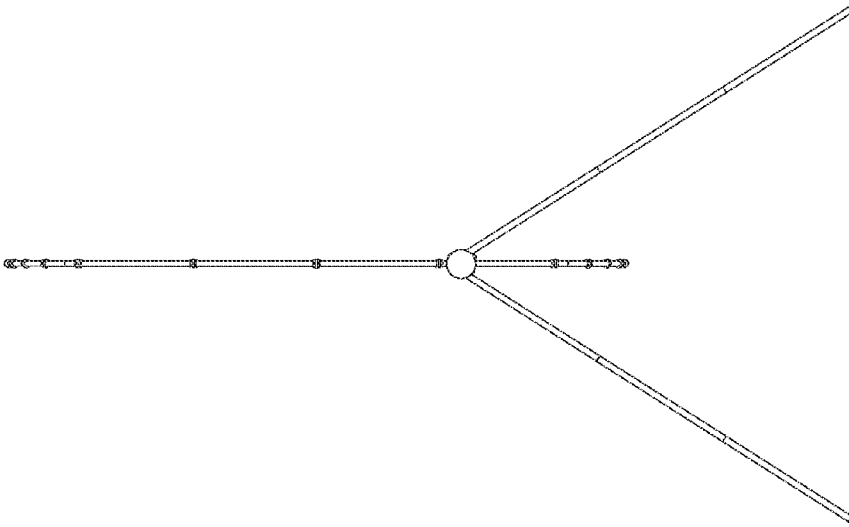


Fig. 3

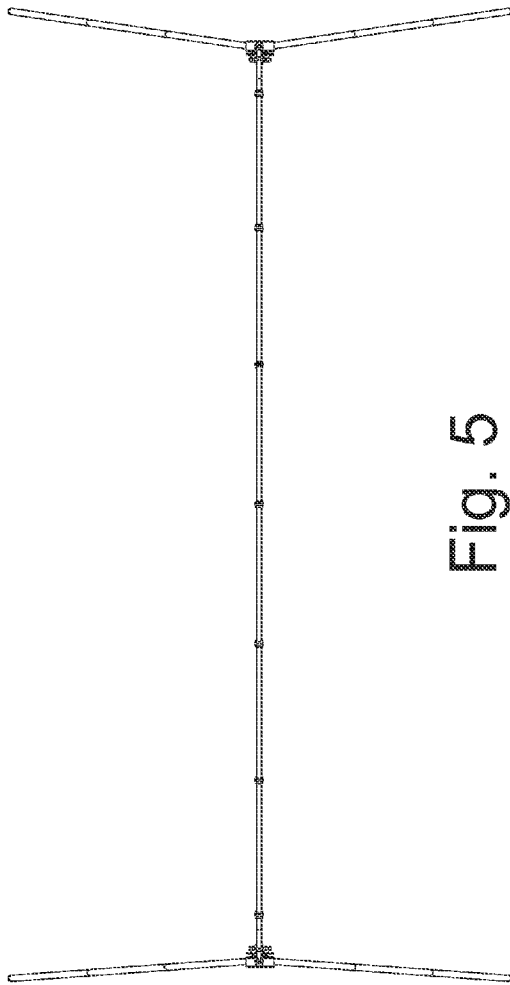


Fig. 5

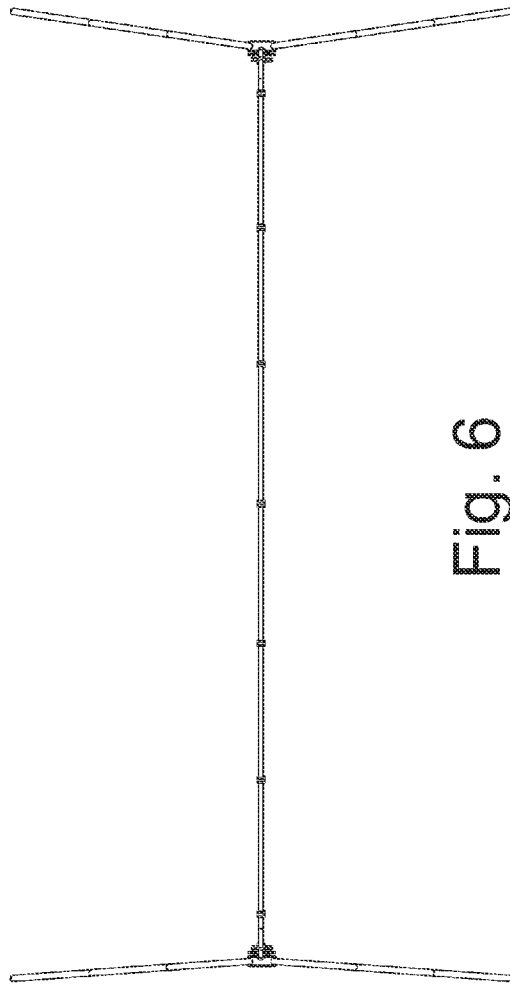


Fig. 6

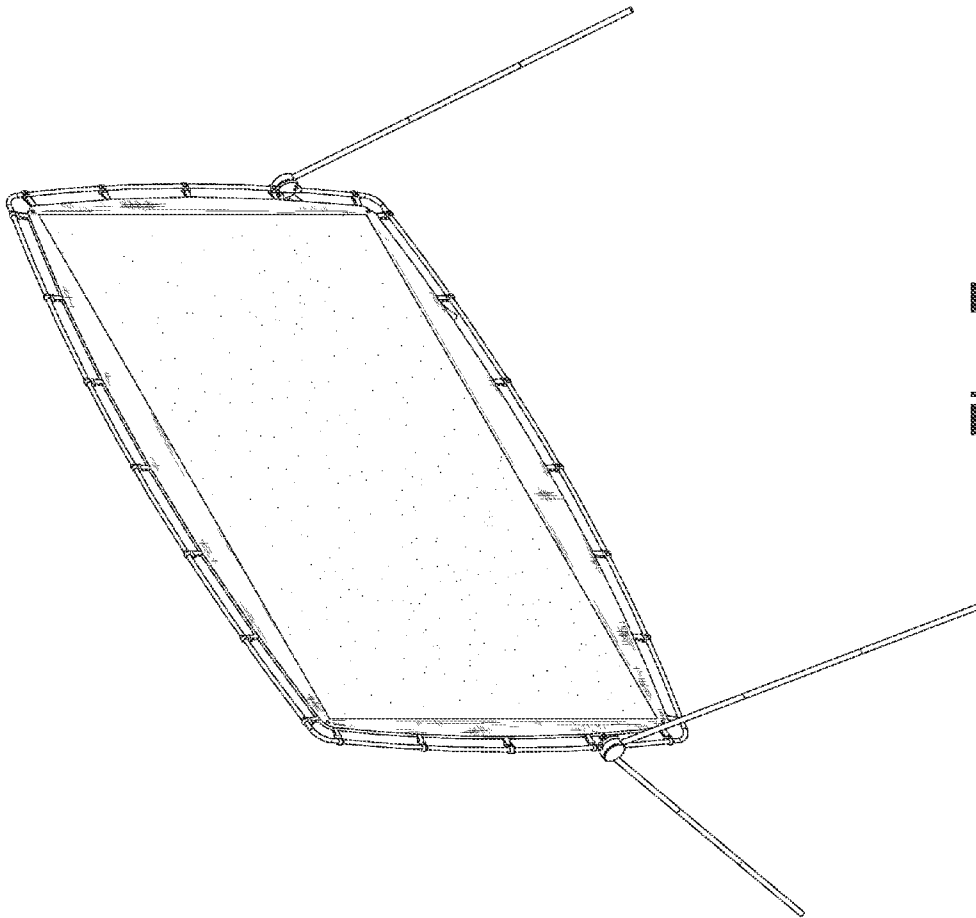


Fig. 7

