



US00D606569S

(12) **United States Design Patent**
Ford et al.

(10) **Patent No.:** **US D606,569 S**

(45) **Date of Patent:** **** Dec. 22, 2009**

(54) **DIRECTIONAL BORING BIT**

2003/0024741 A1* 2/2003 Wentworth et al. 175/73
2008/0011890 A1* 1/2008 Young 241/195

(76) Inventors: **Douglas R. Ford**, 6663 Valley Dr., St. Louis, MO (US) 63016; **Kevin L. Anderson**, 74 Towerview, Hillsboro, MO (US) 63050

* cited by examiner

Primary Examiner—Sandra Snapp
Assistant Examiner—Patricia Palasik
(74) *Attorney, Agent, or Firm*—Kevin L. Klug; David W. McGuire

(**) Term: **14 Years**

(21) Appl. No.: **29/315,572**

(57) **CLAIM**

(22) Filed: **Jul. 7, 2009**

The ornamental design for a directional boring bit, as shown and described.

(51) **LOC (9) Cl.** **15-09**

(52) **U.S. Cl.** **D15/139**; D15/138

(58) **Field of Classification Search** D8/70;
D15/123, 126, 138, 139, 140; 175/19, 61,
175/62, 296, 398; 241/73, 74, 189.1, 193–197,
241/294, 300

See application file for complete search history.

DESCRIPTION

FIG. 1 is a front top left perspective view of a directional boring bit;

FIG. 2 is a front bottom left perspective view thereof;

FIG. 3 is a top plan view thereof;

FIG. 4 is a bottom plan view thereof;

FIG. 5 is a left side elevation view thereof, a right side elevation view being a mirror image;

FIG. 6 is a front view thereof; and,

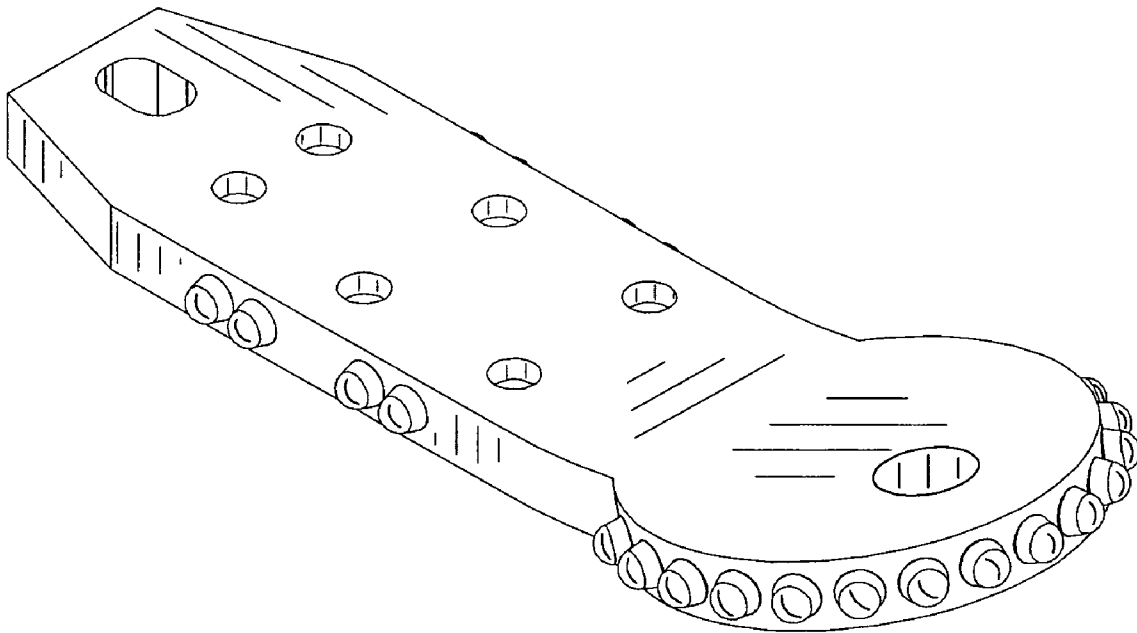
FIG. 7 is a rear view thereof.

(56) **References Cited**

U.S. PATENT DOCUMENTS

RE37,450	E *	11/2001	Deken et al.	175/62
6,321,858	B1 *	11/2001	Wentworth et al.	175/61
7,419,109	B1 *	9/2008	Ronfeldt et al.	241/189.1
D588,174	S *	3/2009	Young	D15/123
7,559,497	B2 *	7/2009	Young	241/194
2001/0047887	A1 *	12/2001	Wentworth et al.	175/296

1 Claim, 4 Drawing Sheets



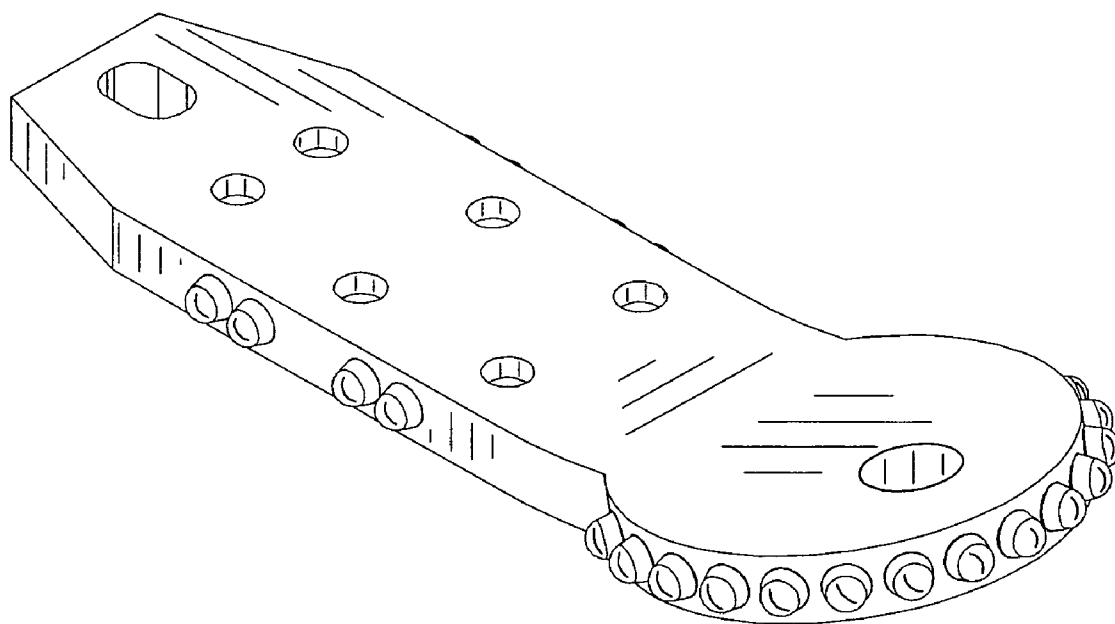


Fig. 1

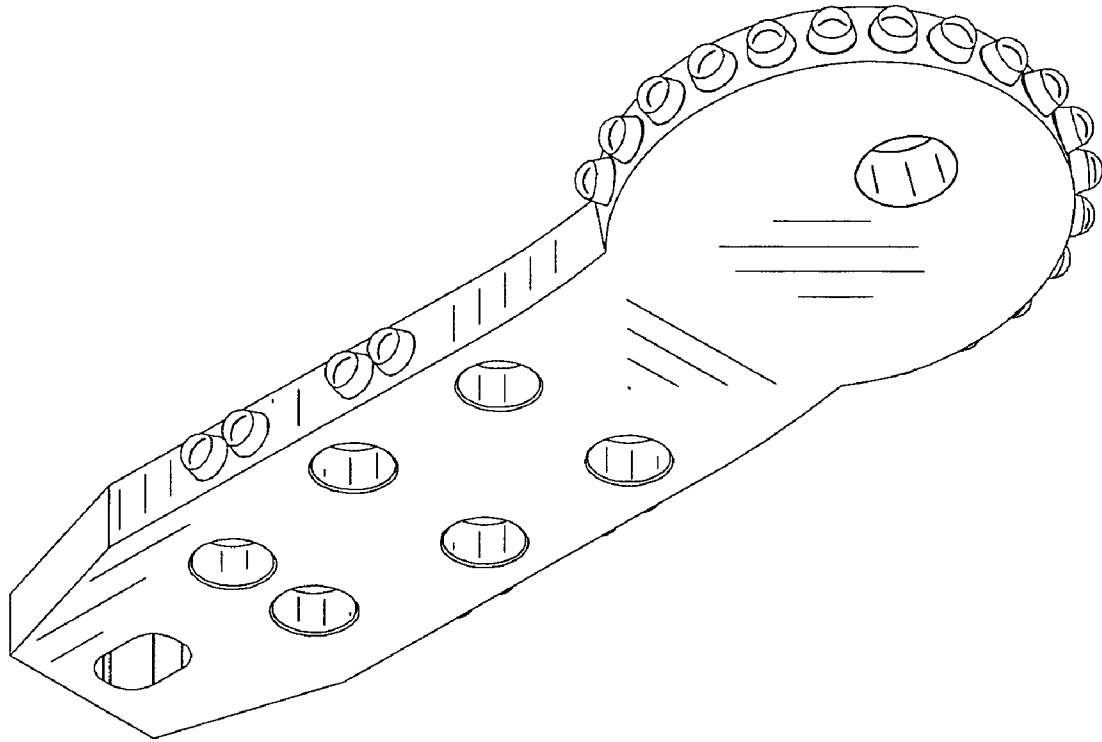


Fig. 2

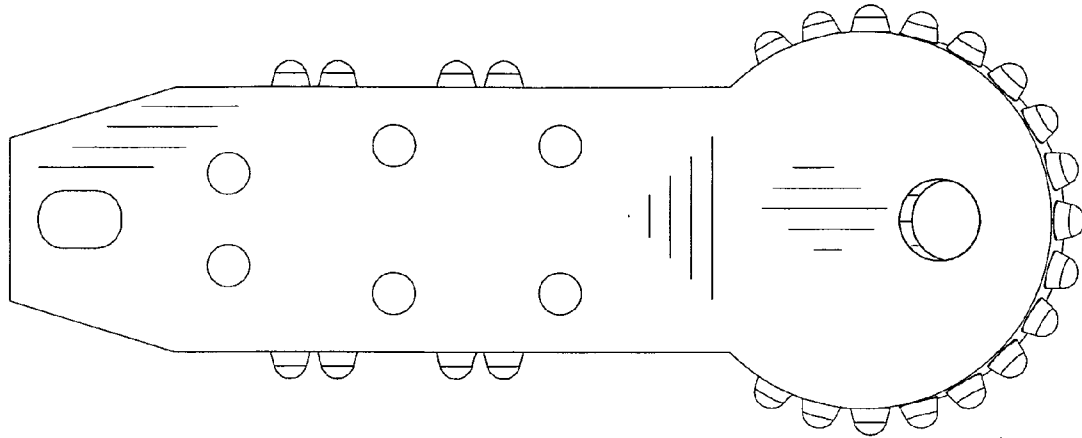


Fig. 3

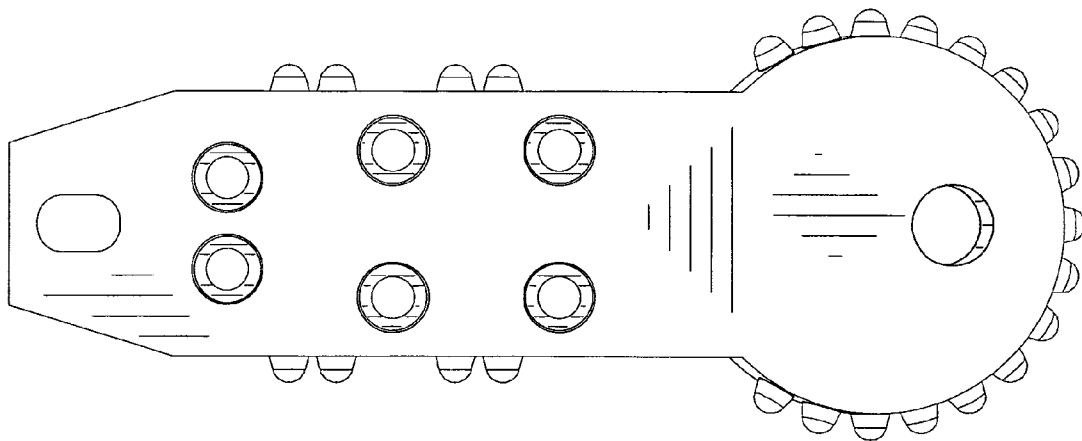


Fig. 4



Fig. 5

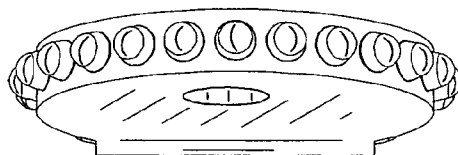


Fig. 6

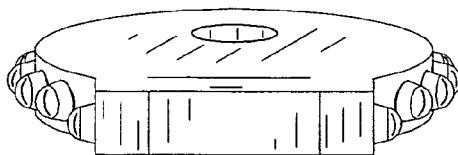


Fig. 7